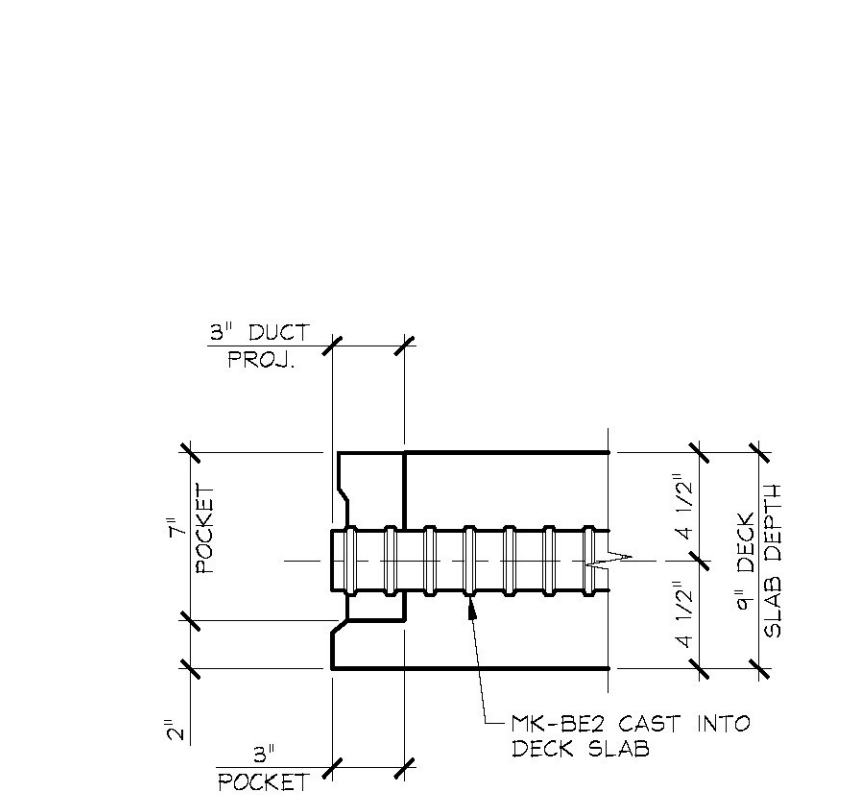
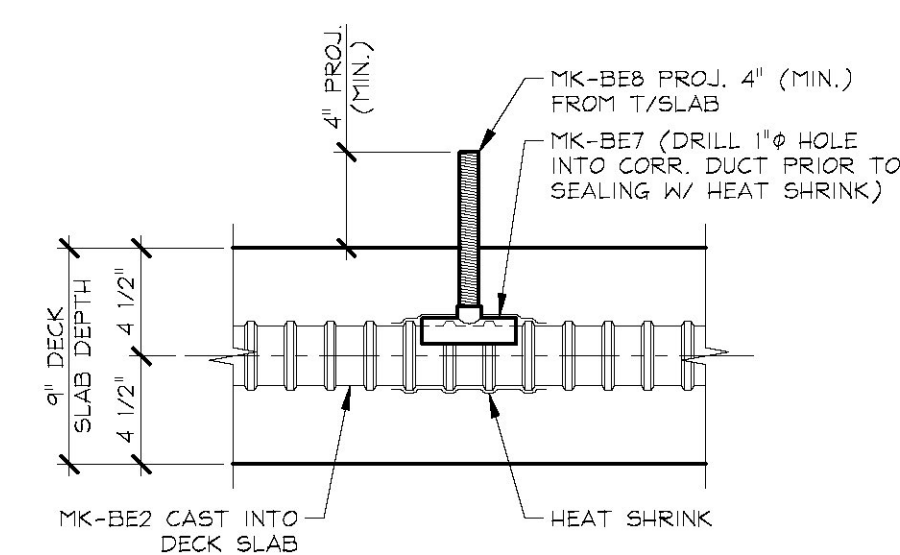


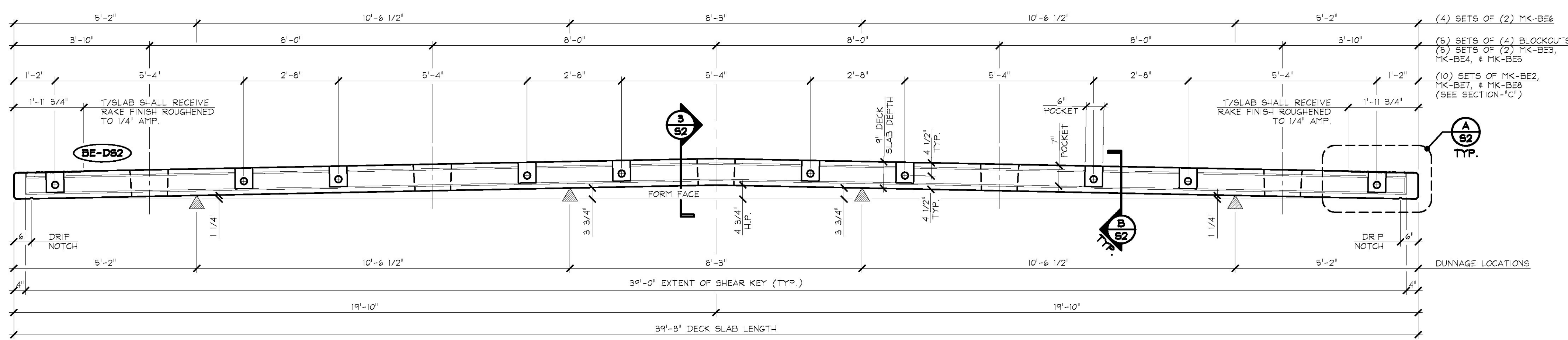
1 DIMENSIONAL PLAN VIEW IN FORM
S2 1/2" = 1'-0"



B SECTION - "B"
S2 1 1/2" = 1'-0"



C SECTION - "C"
S2 1 1/2" = 1'-0"

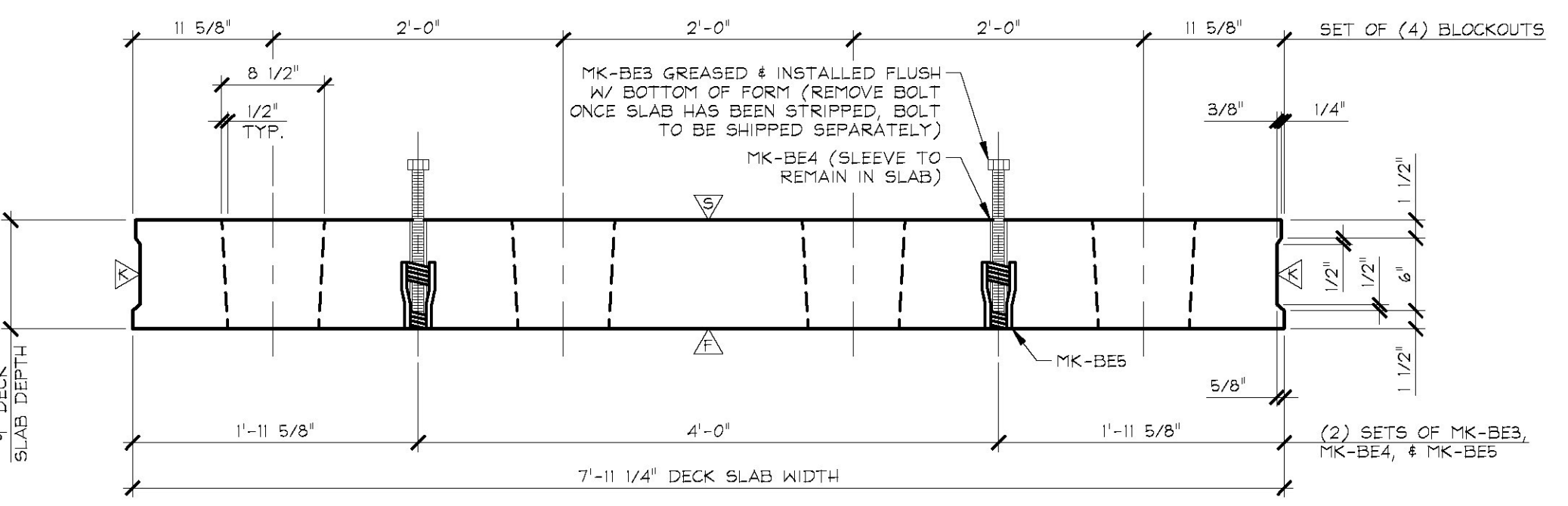


2 DIMENSIONAL ELEVATION
S2 1/2" = 1'-0"

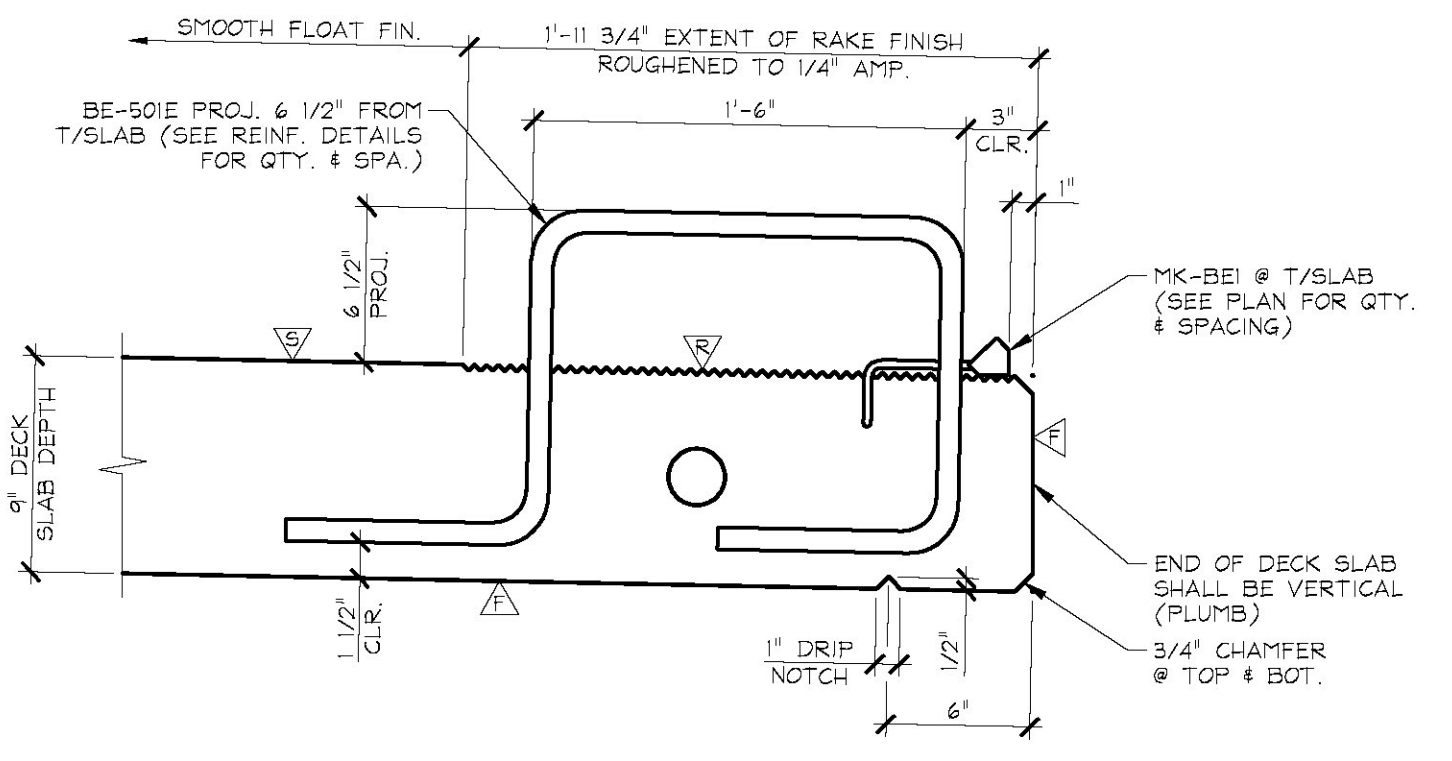
- △ DENOTES FORM FINISH
- △ DENOTES SMOOTH FLOAT FINISH
- △ DENOTES ROUGHENED FINISH (SEE GENERAL NOTE #5, SHEET 'F')
- △ DENOTES RAKE FINISH ROUGHENED TO 1/4\"/>

SHOP NOTE:
SEE DRAWING NO. "S3" FOR REINFORCING INFORMATION

MARK:	BE-DS2	QTY.:	1	WT.:	17.02 T	VOL.:	8.41 cy
MATERIAL LIST / DECK SLAB							
ITEM	MARK	DESCRIPTION					QTY.
1	MK-BE1	DAYTON C-24 TYPE 4-APR DECK FORM HANGER (GALV.)					4
2	MK-BE2	GTI 2 3/8" x 7'-11 1/4" LONG CORRUGATED PP DUCT (SUPPLIED BY OTHERS)					10
3	MK-BE3	1" x 1'-2" LEVELING BOLT (COIL THREAD)					10
4	MK-BE4	1 3/8" O.D. x 6 1/4" PVC PIPE SLEEVE					10
5	MK-BE5	DAYTON 1" F-56 EXPANDED COIL INSERT (2-STRUT) (GALV.)					10
6	MK-BE6	4T x 7 1/8" SWIFT LIFT LIFTER (GALV.)					8
7	MK-BE7	GTI 2 3/8" GROUT SADDLE (SUPPLIED BY OTHERS)					10
8	MK-BE8	21mm x 8" GTI GROUT TUBE (SUPPLIED BY OTHERS)					10
9		HEAT SHRINK (SUPPLIED BY OTHERS)					AS REQ'D.



3 DIMENSIONAL SECTION
S2 1" = 1'-0"



A SECTION - "A"
S2 1 1/2" = 1'-0"

APPROVAL STAMP:

J.P. CARRARA & SONS INC.
Precast & Prestress Manufacturer
2484 CASE STR., MIDDLEBURY, VERMONT 05753 Phone: (802) 388-6361 Fax: (802) 388-9010

THE BELDEN COMPANY
CONTRACTOR
RUTLAND, VERMONT

STATE OF VERMONT AGENCY OF TRANSPORTATION
COUNTY OF WINDSOR

TOWN OF LUDLOW
VT ROUTE 100 (MINOR ARTERIAL)
BRIDGE NO.: 99 PROJECT NO.: STP DECK(39)

DATE: NOV. 1, 2016
SCALE: NOTED
CHKD: A.S. DFTM: B.L.
JOB NO: 23499-016

PRECAST DECK SLAB
DIMENSIONAL DETAILS

DWG. NO: **S2**