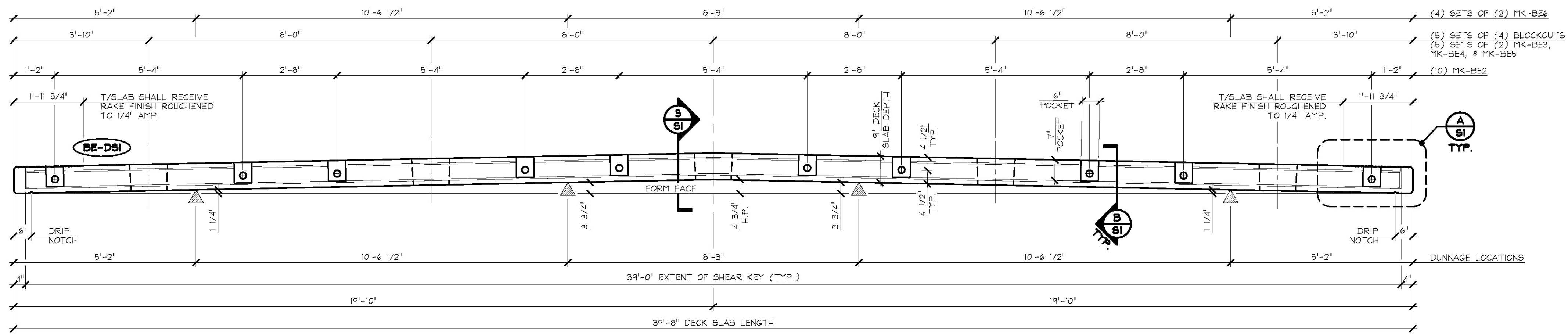
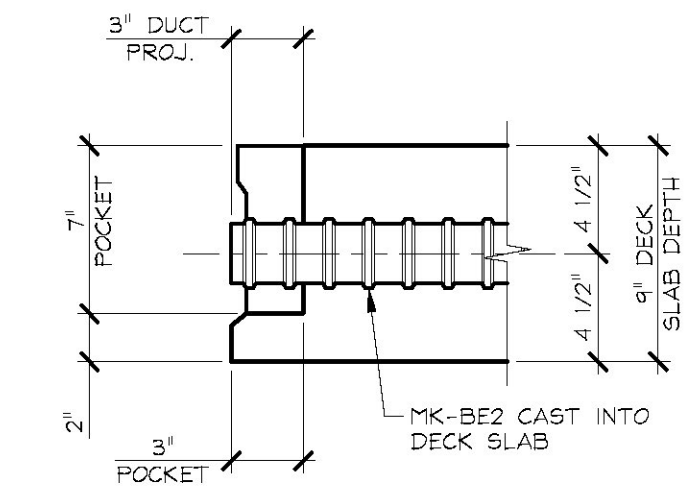


1 DIMENSIONAL PLAN VIEW IN FORM
SI 1/2" = 1'-0"

B SECTION - "B"
SI 1/2" = 1'-0"

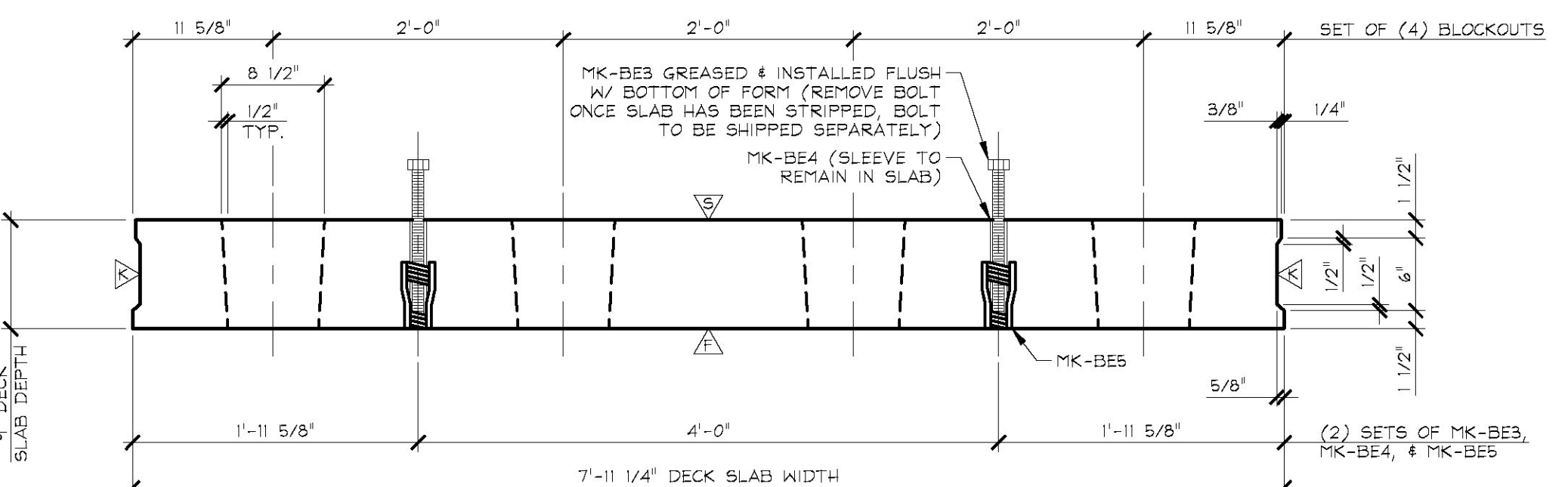


2 DIMENSIONAL ELEVATION
SI 1/2" = 1'-0"

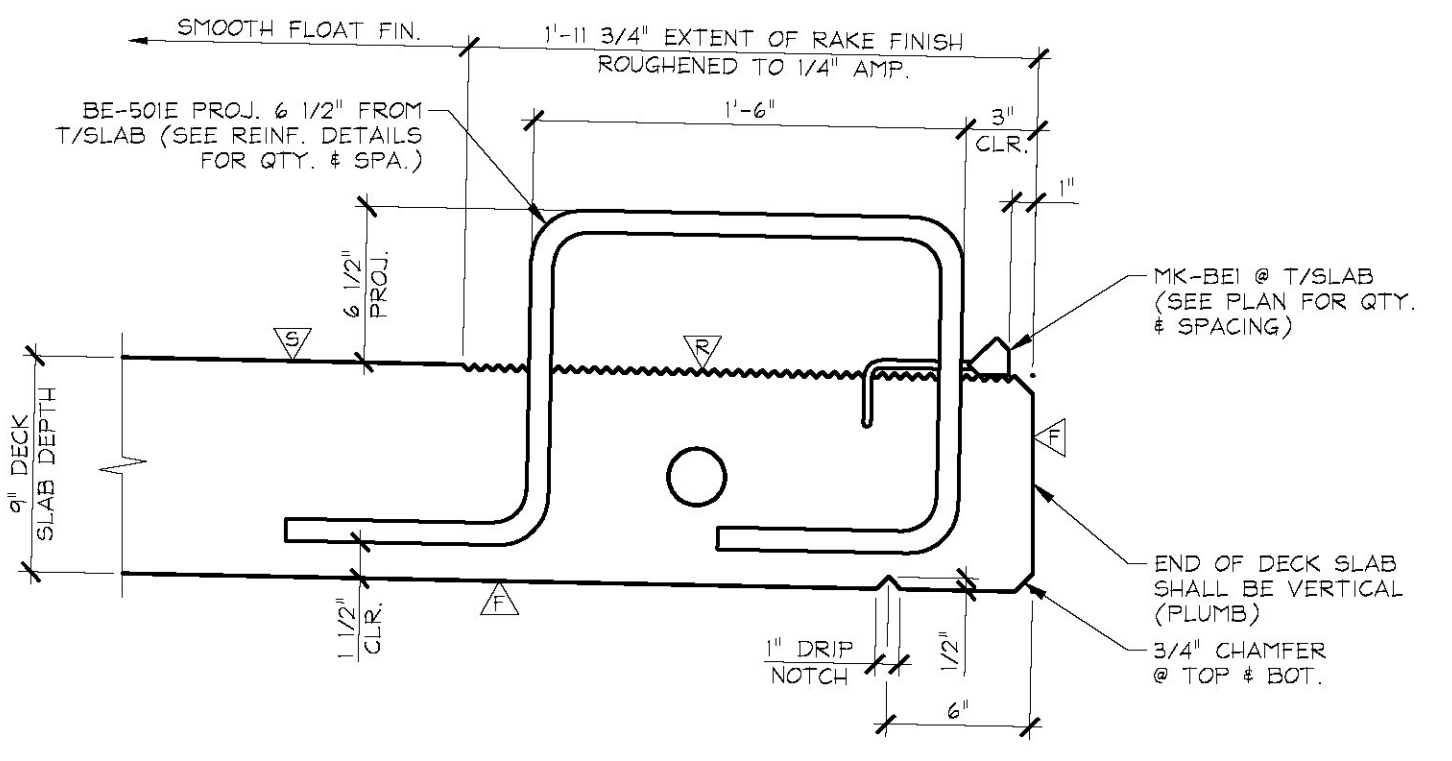
- △ DENOTES FORM FINISH
- △ DENOTES SMOOTH FLOAT FINISH
- △ DENOTES ROUGHENED FINISH (SEE GENERAL NOTE #5, SHEET 'F')
- △ DENOTES RAKE FINISH ROUGHENED TO 1/4" AMPITUDE

SHOP NOTE:
SEE DRAWING NO. "B3" FOR REINFORCING INFORMATION

MARK:	BE-DS1	QTY.:	7	WT.:	17.02 T	VOL.:	8.41 cy
MATERIAL LIST / DECK SLAB							
ITEM	MARK	DESCRIPTION				QTY.	
1	MK-BE1	DAYTON C-24 TYPE 4-APR DECK FORM HANGER (GALV.)				4	
2	MK-BE2	GT1 2 3/8" x 7'-11 1/4" LONG CORRUGATED PP DUCT (SUPPLIED BY OTHERS)				10	
3	MK-BE3	1" x 1'-2" LEVELING BOLT (COIL THREAD)				10	
4	MK-BE4	1 3/8" O.D. x 1/4" PVC PIPE SLEEVE				10	
5	MK-BE5	DAYTON 1" F-56 EXPANDED COIL INSERT (2-STRUT) (GALV.)				10	
6	MK-BE6	4T x 7 1/8" SWIFT LIFT LIFTER (GALV.)				6	
7							
8							
9							
10							



3 DIMENSIONAL SECTION
SI 1" = 1'-0"



A SECTION - "A"
SI 1 1/2" = 1'-0"

APPROVAL STAMP:

J.P. CARRARA & SONS INC.
Precast & Prestress Manufacturer
2484 CASE STR., MIDDLEBURY, VERMONT 05753 Phone: (802)388-6361 Fax: (802)388-9010

THE BELDEN COMPANY
CONTRACTOR
RUTLAND, VERMONT

STATE OF VERMONT AGENCY OF TRANSPORTATION
COUNTY OF WINDSOR

TOWN OF LUDLOW
VT ROUTE 100 (MINOR ARTERIAL)
BRIDGE NO.: 99 PROJECT NO.: STP DECK(39)

DATE: NOV. 1, 2016
SCALE: NOTED
CHKD: A.S. DFTM: B.L.
JOB NO: 23499-016

PRECAST DECK SLAB
DIMENSIONAL DETAILS

DWG. NO: **SI**