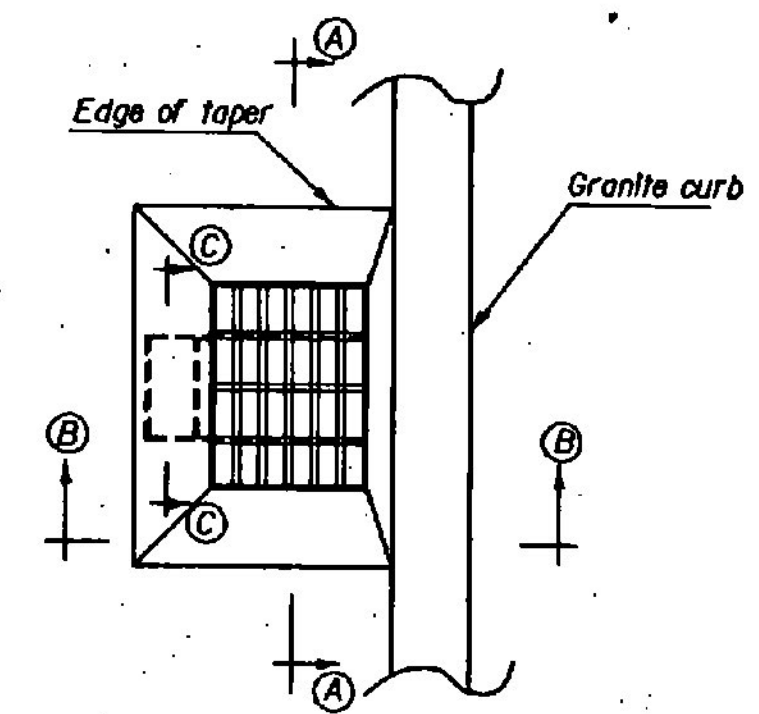


Note: Mark location of scupper; install membrane; make a "X" incision on diagonals of scupper; trim, seal, and wrap into scupper.

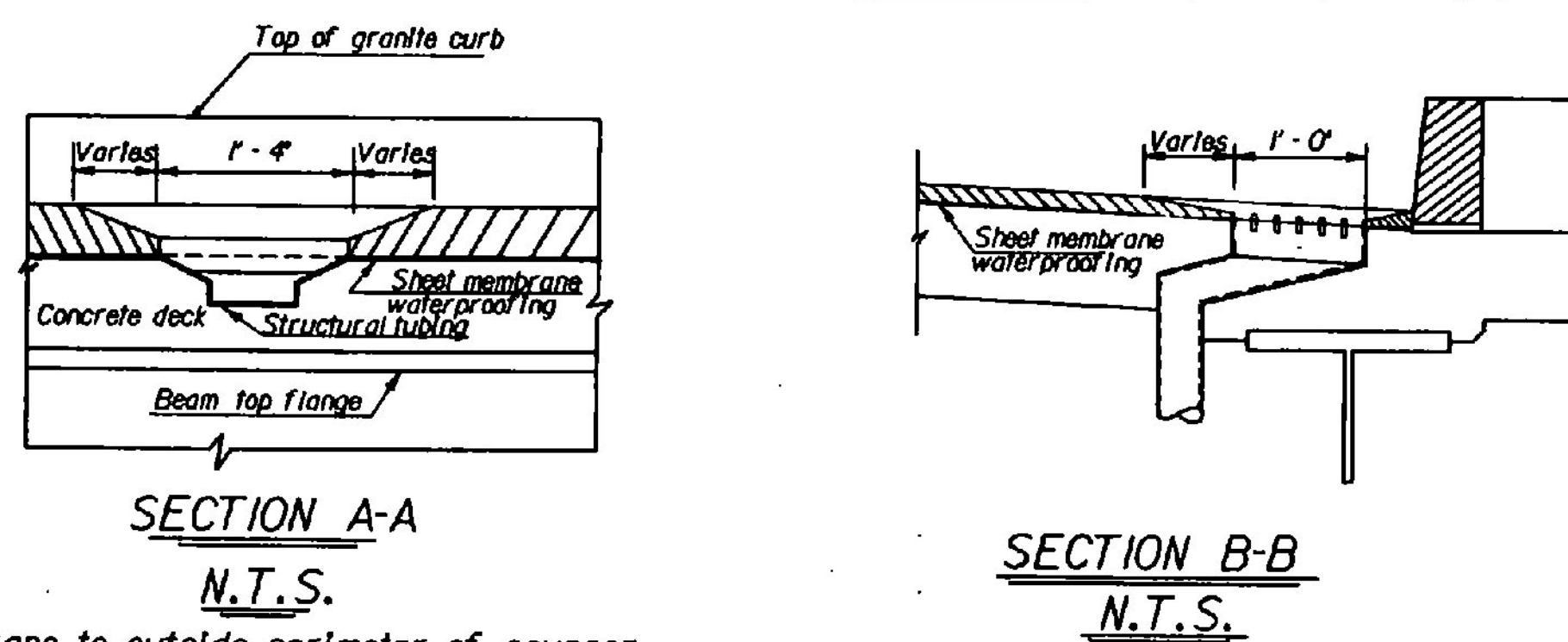
MEMBRANE DETAIL FOR SCUPPERS FLUSH WITH DECK

①

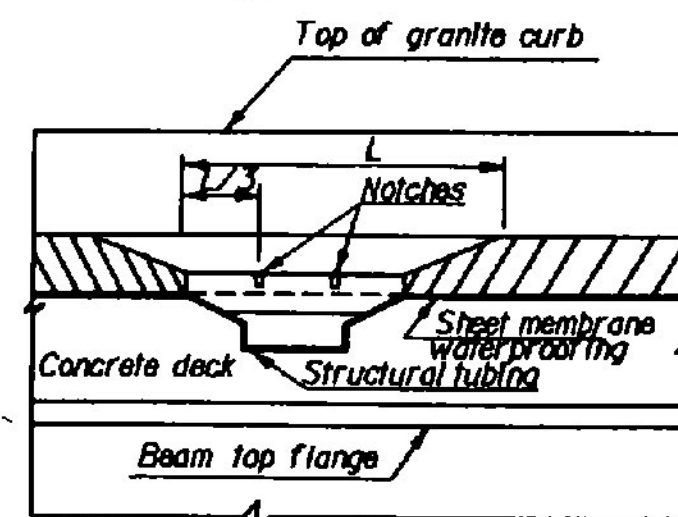


PLAN VIEW
(TYP. FOR DETAILS NO. 1 & 2)
N.T.S.

③



Fit membrane to outside perimeter of scupper.

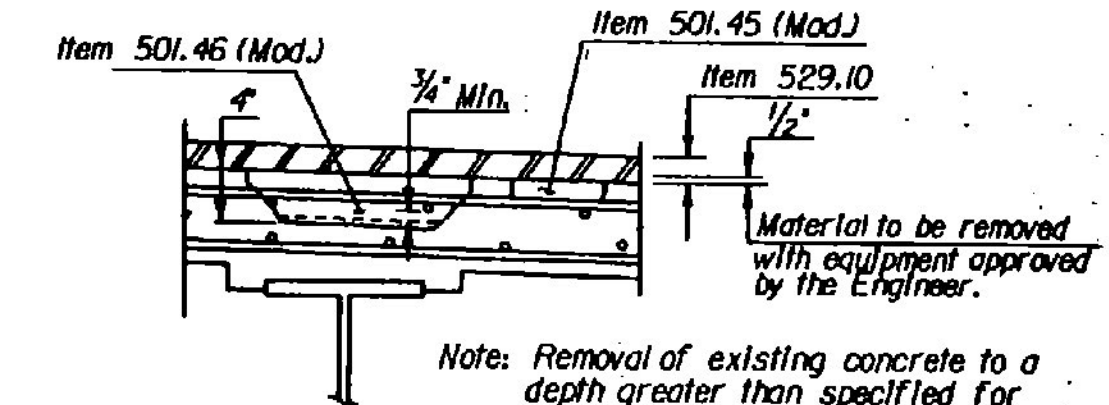


SECTION C-C Note: Notch scupper 1/2" wide to top of concrete on three sides.
N.T.S. This work to be subsidiary to the Item 519.20

MEMBRANE DETAIL FOR RAISED SCUPPERS

②

Note: All edges of repair areas are to be saw cut square and a minimum of one (1) inch deep.
Note: Item 501.45 (Mod.) shall include removal of concrete to a maximum depth as determined by the top of the top bars of reinforcing steel.



Note: Removal of existing concrete to a depth greater than specified for Item 501.46 (Mod.) shall be paid under the Item 529.25 (Mod.).

TYPICAL LIMITS FOR REMOVAL ITEMS
N T S

④

STATE OF VERMONT AGENCY OF TRANSPORTATION	
Town Of LUDLOW - MT. HOLLY	Bridge No. _____
Highway No. VT 100 & VT 103	Log Sta. _____
DECK REHABILITATION	
TYPICAL DETAILS	
Designed By G.S. ROGERS	Drawn By D.W. NEWTON
Checked By _____	Date _____
G.S. ROGERS 6/87 R.L. OATLEY Date 6/87	
PROJECT LUDLOW - MT. HOLLY	PROJECT NO. F-DECK (22) S
I.S.C. Info. ZFA130.321SCUPREHAB.DGN PRF.LUDMTHLY	
Bridge Sheet No. _____	Sheet 17 of 40