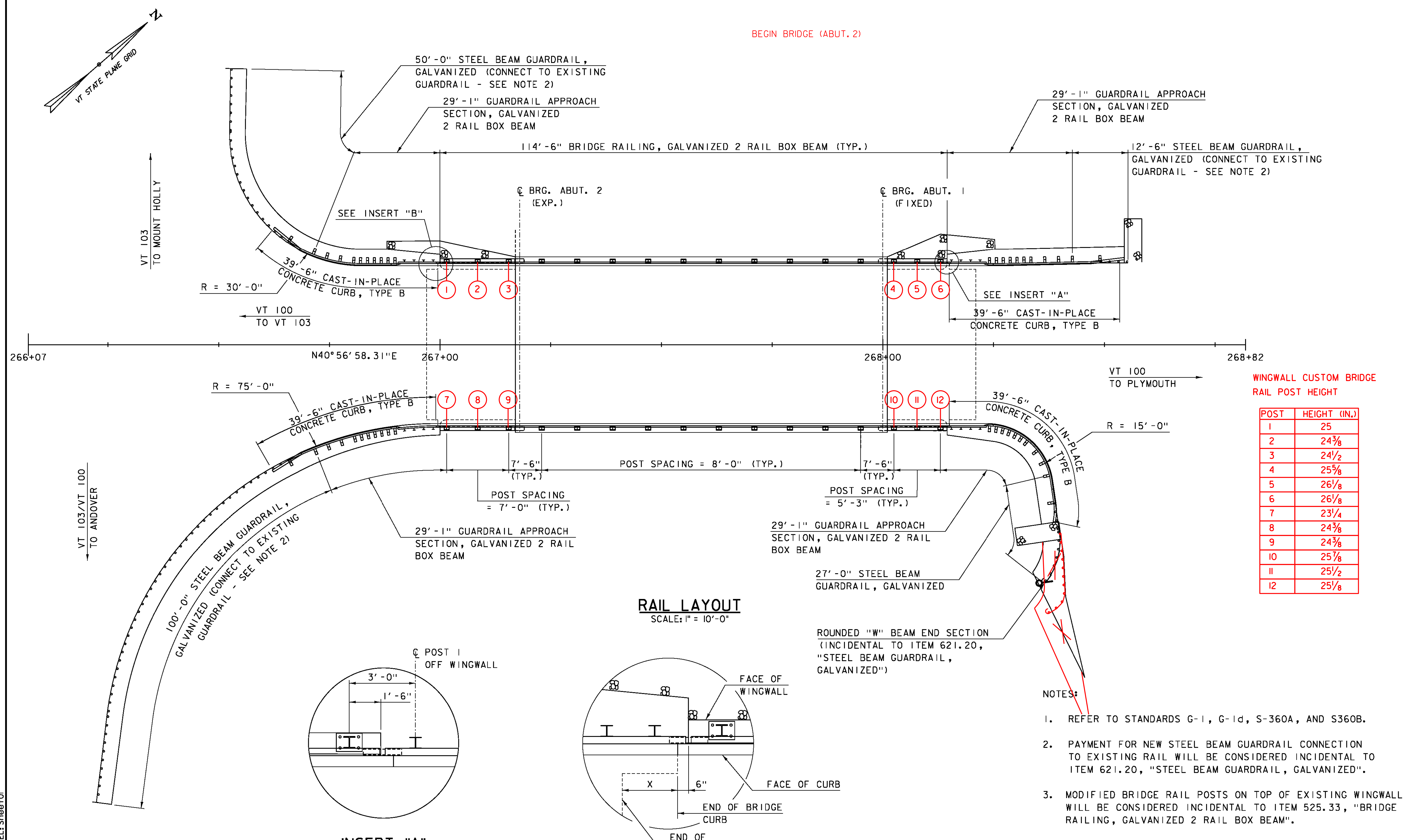


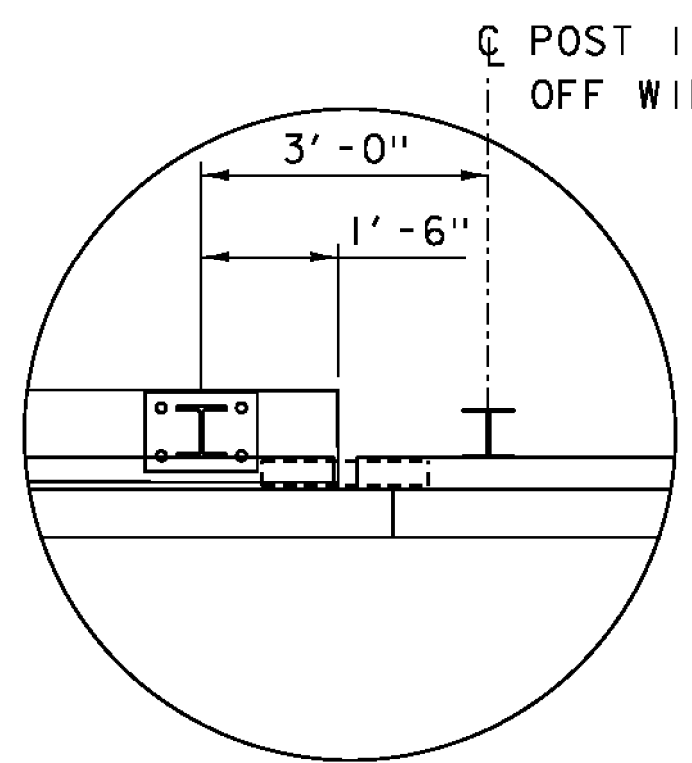
BEGIN BRIDGE (ABUT. 2)



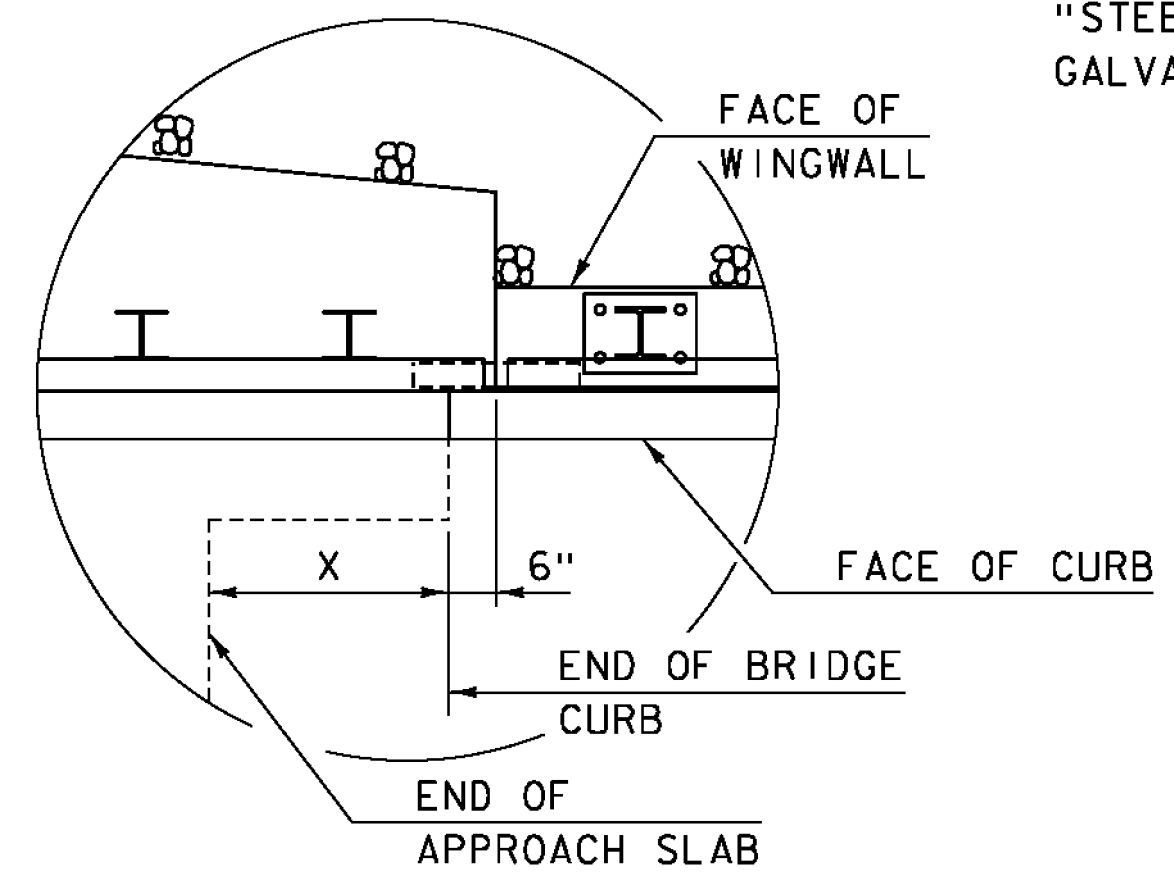
WINGWALL CUSTOM BRIDGE RAIL POST HEIGHT

POST	HEIGHT (IN.)
1	25
2	24 <sup>3</sup> / <sub>8</sub>
3	24 <sup>1</sup> / <sub>2</sub>
4	25 <sup>5</sup> / <sub>8</sub>
5	26 <sup>1</sup> / <sub>8</sub>
6	26 <sup>1</sup> / <sub>8</sub>
7	23 <sup>3</sup> / <sub>4</sub>
8	24 <sup>3</sup> / <sub>8</sub>
9	24 <sup>3</sup> / <sub>8</sub>
10	25 <sup>1</sup> / <sub>8</sub>
11	25 <sup>1</sup> / <sub>2</sub>
12	25 <sup>1</sup> / <sub>8</sub>

RAIL LAYOUT  
SCALE: 1" = 10'-0"



INSERT "A"  
(NW CORNER SHOWN, OTHERS SIMILAR)  
SCALE: 1/2" = 1'-0"



INSERT "B"  
(SW CORNER SHOWN, OTHERS SIMILAR)  
SCALE: 1/2" = 1'-0"  
X = 2'-6" (SOUTHERN APPROACH)  
X = 6'-0" (NORTHERN APPROACH)

NOTES:

- REFER TO STANDARDS G-1, G-1d, S-360A, AND S360B.
- PAYMENT FOR NEW STEEL BEAM GUARDRAIL CONNECTION TO EXISTING RAIL WILL BE CONSIDERED INCIDENTAL TO ITEM 621.20, "STEEL BEAM GUARDRAIL, GALVANIZED".
- MODIFIED BRIDGE RAIL POSTS ON TOP OF EXISTING WINGWALL WILL BE CONSIDERED INCIDENTAL TO ITEM 525.33, "BRIDGE RAILING, GALVANIZED 2 RAIL BOX BEAM".

PROJECT NAME: LUDLOW  
 PROJECT NUMBER: STP DECK(39)  
 FILE NAME: z15bi09rail\_bdr-99.dgn  
 PROJECT LEADER: J. BYATT  
 DESIGNED BY: N. CARON  
 RAIL LAYOUT SHEET

PLOT DATE: 8/3/2016  
 DRAWN BY: M. SMITH  
 CHECKED BY: S. BEAUMONT  
 SHEET 28 OF 42



CLD 15-0223 MODEL: Sheet01