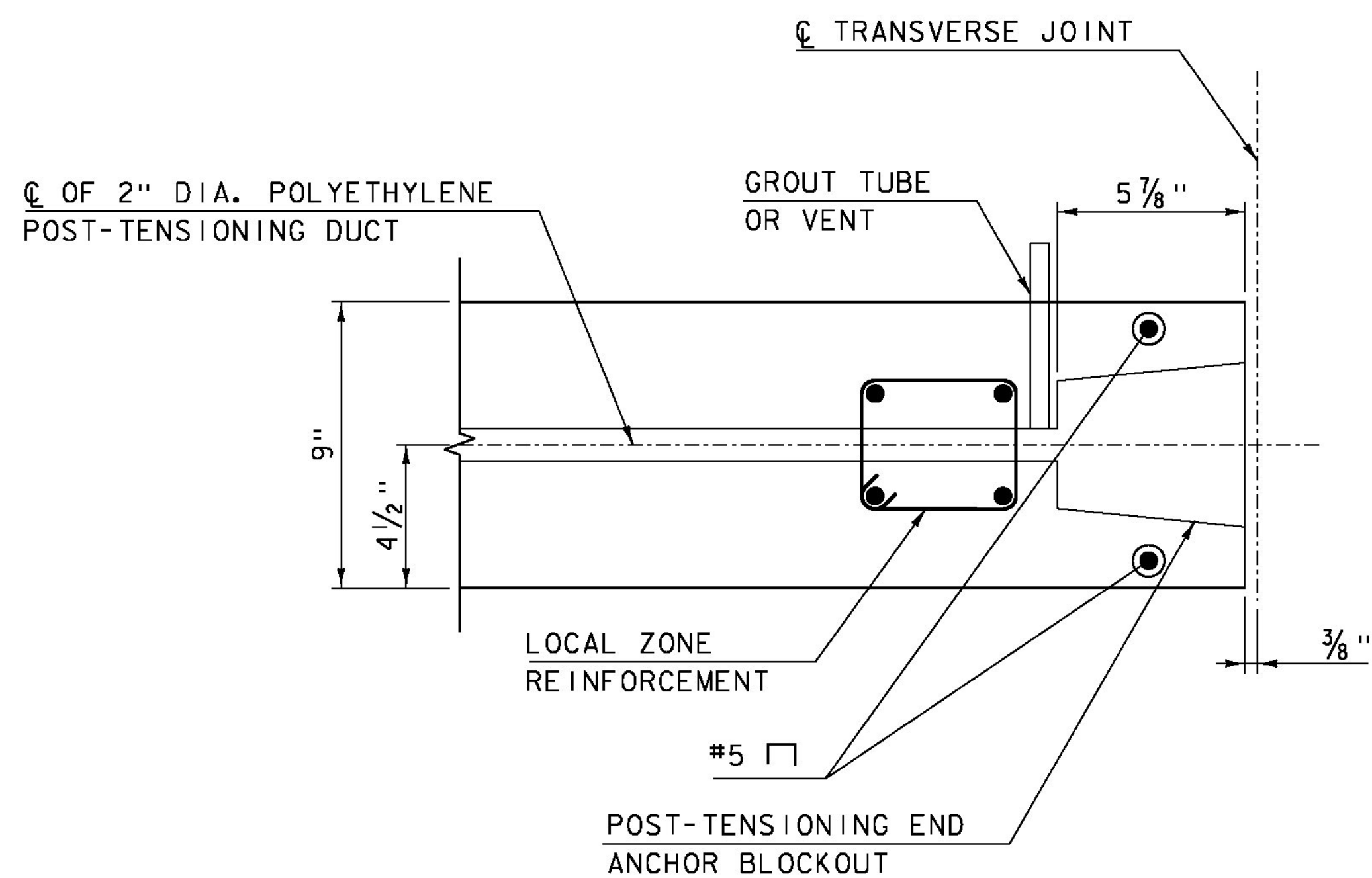
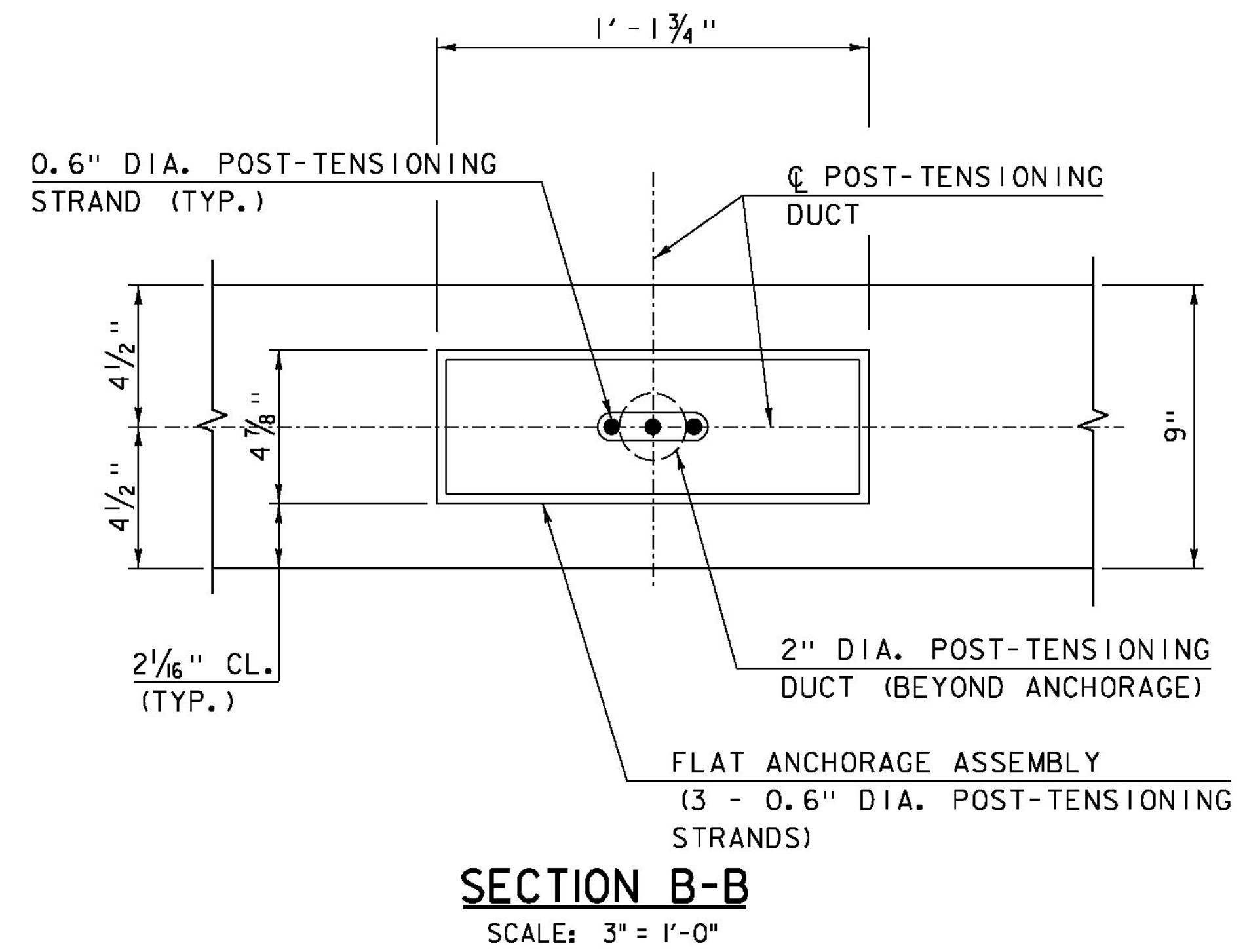


END ANCHORAGE DETAILS FOR POST-TENSIONING

SCALE: 1/2" = 1'-0"



SECTION A-A

SCALE: 3" = 1'-0"

NOTE: 3" CLEAR, UNLESS OTHERWISE SPECIFIED ON THE PLANS.

PROJECT NAME: LUDLOW
PROJECT NUMBER: STP DECK(39)

FILE NAME: z15bi09typ-99.dgn
PROJECT LEADER: J. BYATT
DESIGNED BY: N. CARON
DECK DETAILS SHEET 7

PLOT DATE: 8/3/2016
DRAWN BY: M. SMITH
CHECKED BY: S. BEAUMONT
SHEET 20 OF 42

