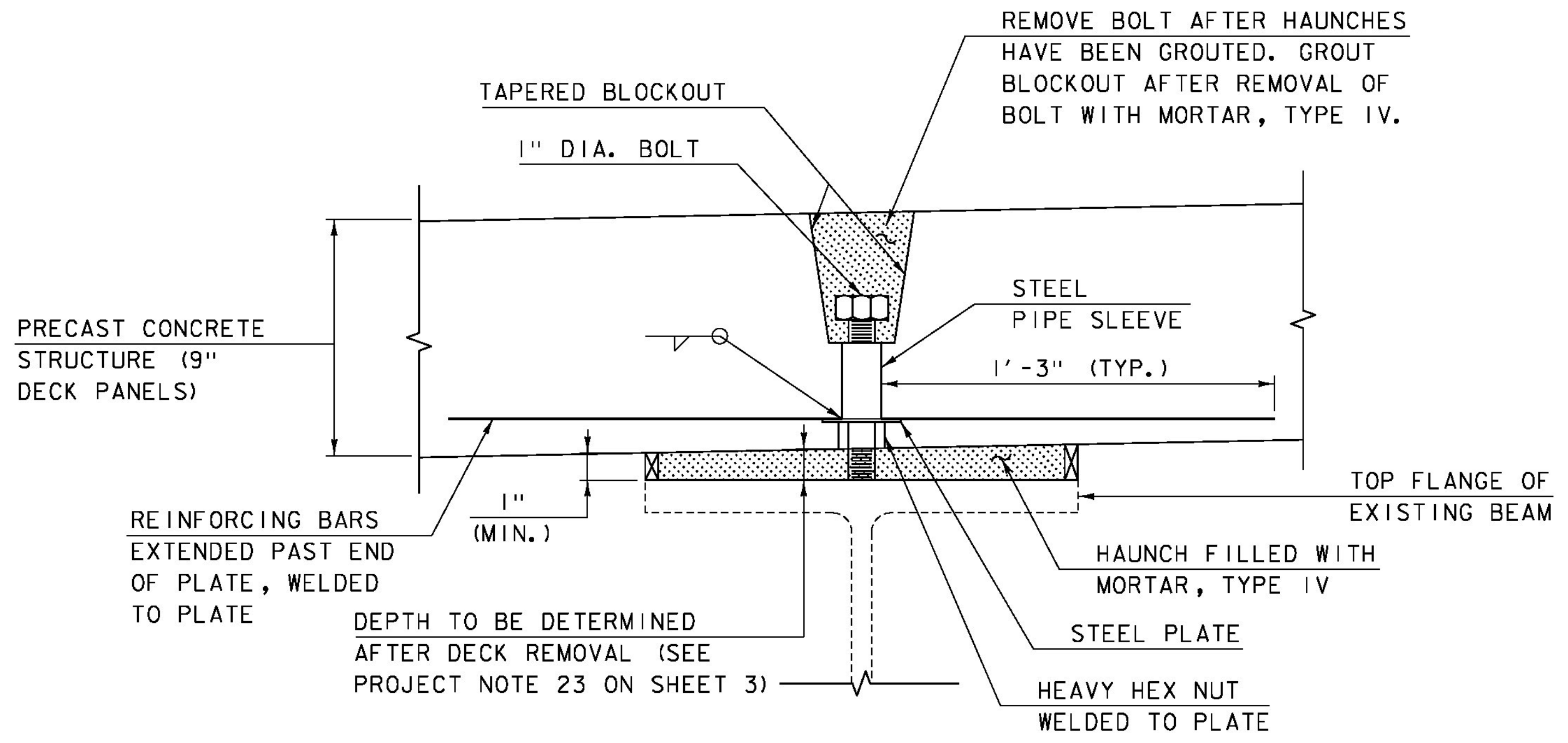


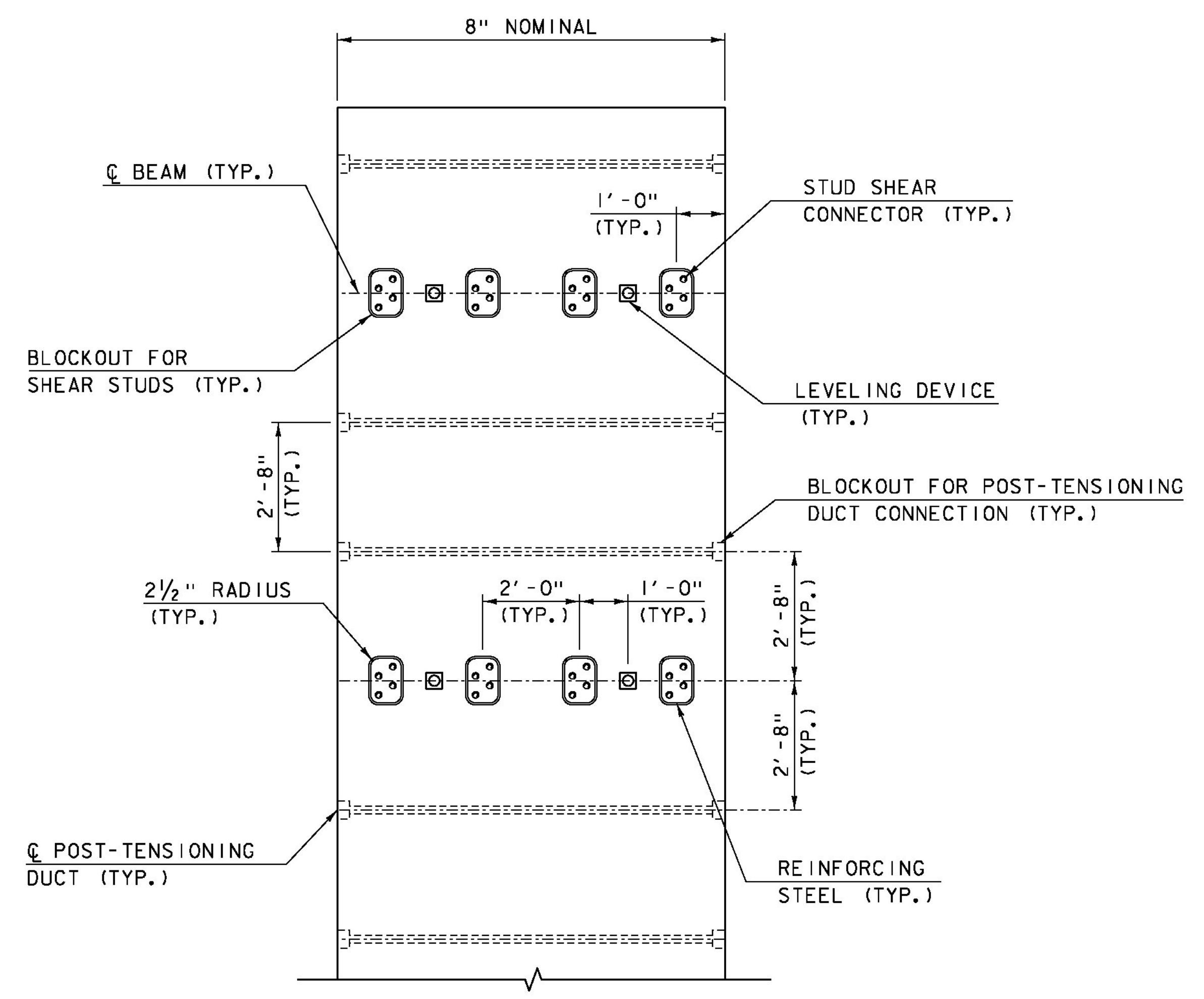
SHEAR CONNECTOR BLOCKOUT DETAIL
SCALE: 1/2" = 1'-0"



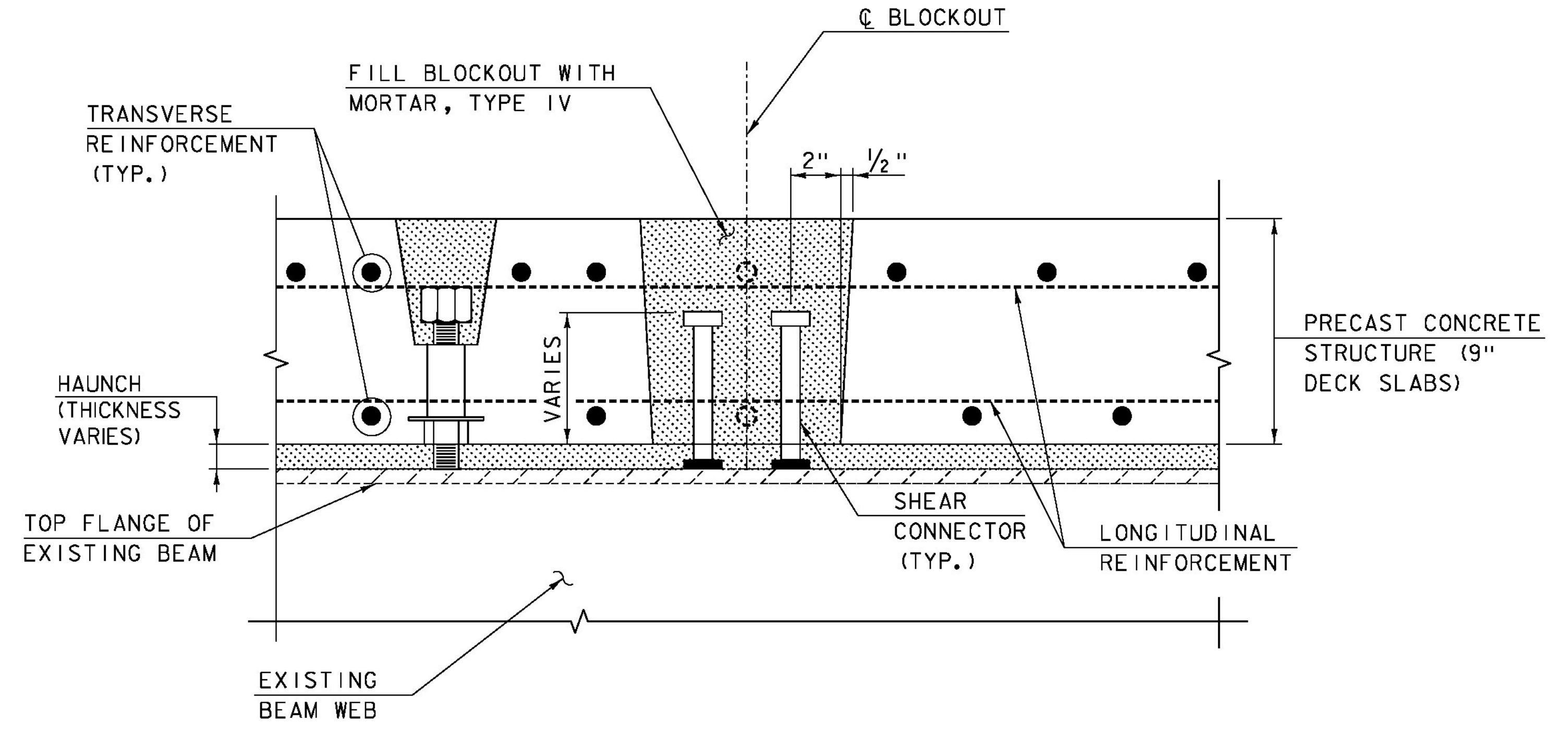
LEVELING DEVICE DETAIL
SCALE: 3" = 1'-0"

NOTES:
THE CONTRACTOR IS RESPONSIBLE FOR THE DESIGN OF THE LEVELING DEVICE BASED ON THE WEIGHT OF THE SLABS AND THE NUMBER OF DEVICES.

ALTERNATE DEVICES MAY BE SUBSTITUTED WITH APPROVAL FROM THE PROJECT MANAGER.



SHEAR CONNECTOR BLOCKOUT PLAN
SCALE: 1/2" = 1'-0"



SECTION A-A
SCALE: 3" = 1'-0"

NOTE:
TRANSVERSE AND LONGITUDINAL REINFORCING DO NOT EXTEND THROUGH SHEAR CONNECTOR BLOCKOUT. REINFORCEMENT SHOWN DASHED FOR CLARITY. SEE PRECAST SLAB PLANS AND DETAIL "A" ON SHEETS 15 AND 16.

MORTAR, TYPE IV (COST INCIDENTAL TO ITEM 540.10)

PROJECT NAME:	LUDLOW	PLOT DATE:	8/3/2016
PROJECT NUMBER:	STP DECK(39)	DRAWN BY:	M. SMITH
FILE NAME:	z15bi09+typ-99.dgn	CHECKED BY:	S. BEAUMONT
PROJECT LEADER:	J. BYATT	DESIGNED BY:	N. CARON
DECK DETAILS SHEET 5			SHEET 18 OF 42



CLD 15-0223 MODEL: Sheet08