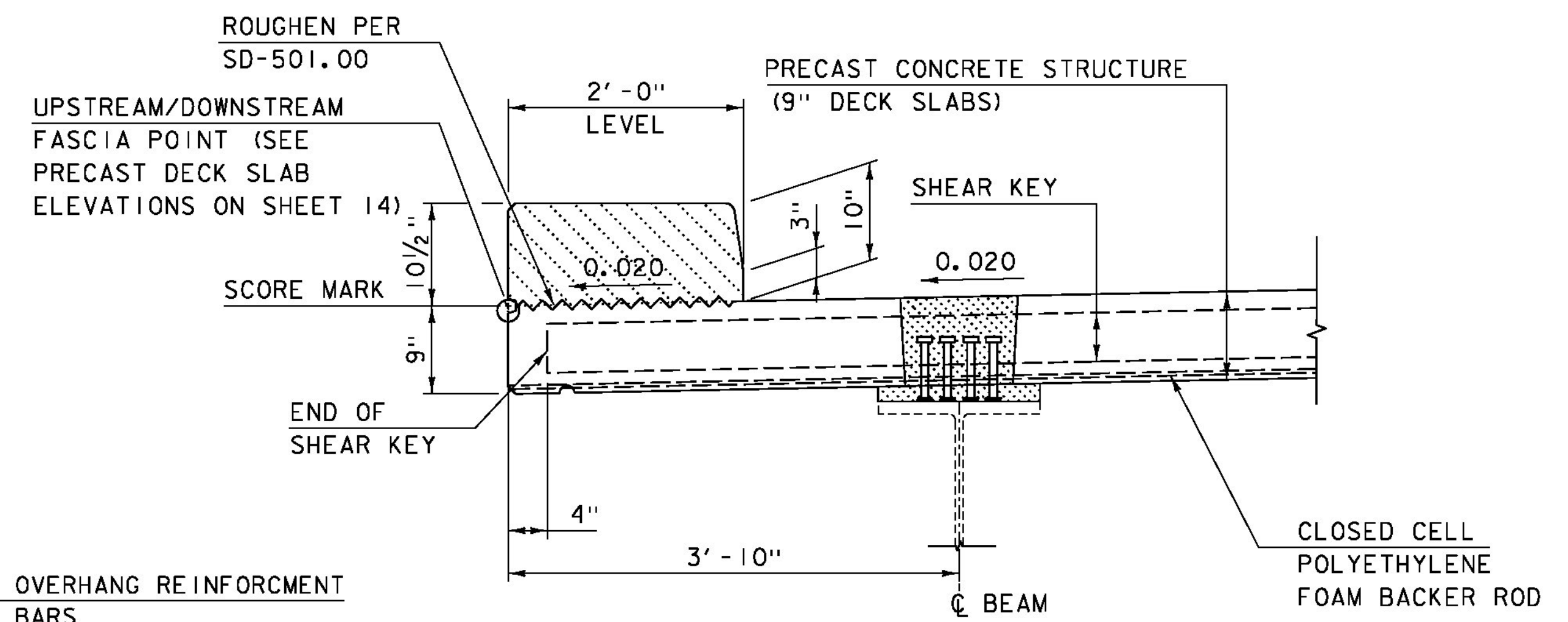


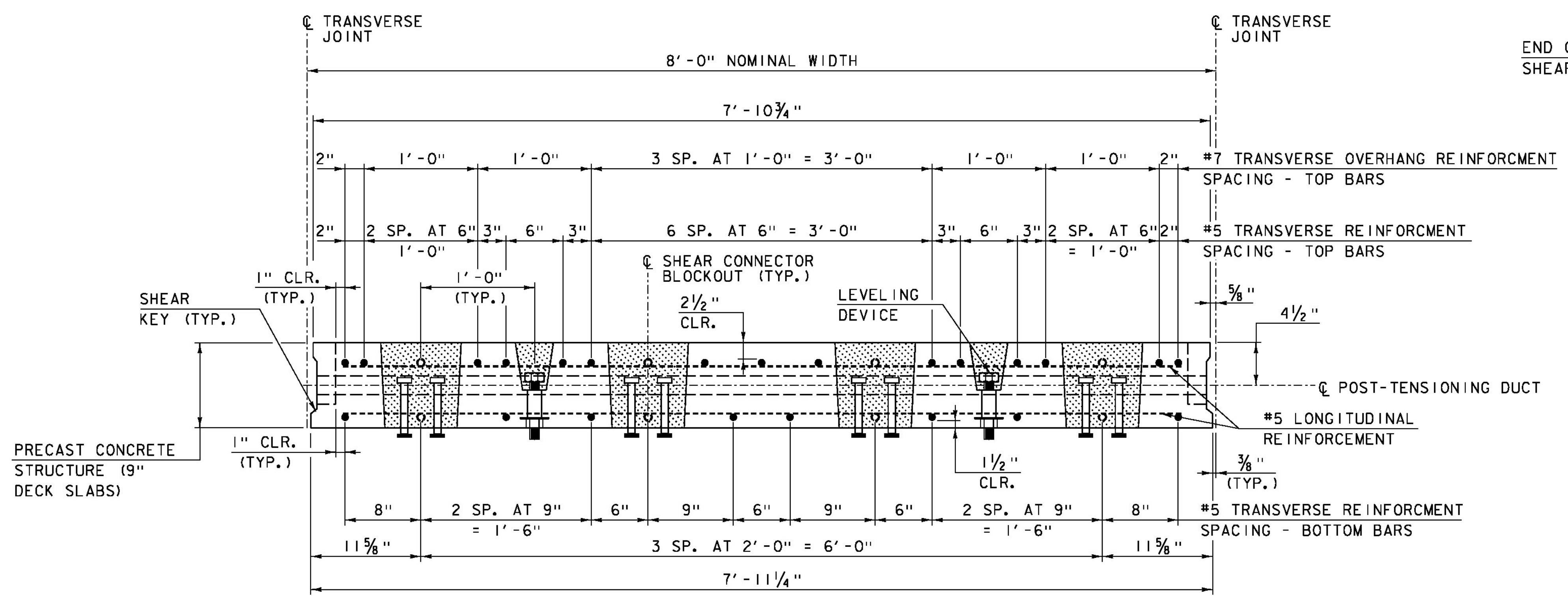
**TYPICAL PRECAST SLAB SECTION**  
SCALE: 1/2" = 1'-0"



**TYPICAL OVERHANG SECTION**  
SCALE: 1" = 1'-0"

**NOTES:**

- 3" CLEAR FROM SLAB/CURB EDGES. 1" MIN. CLEAR FROM ALL BLOCKOUTS, POCKETS, OR LEVELING DEVICES.
- TRANSVERSE AND LONGITUDINAL REINFORCING DO NOT EXTEND THROUGH SHEAR CONNECTOR BLOCKOUT. REINFORCEMENT SHOWN DASHED FOR CLARITY. SEE PRECAST SLAB PLANS AND DETAIL "A" ON SHEETS 15 AND 16.
- #7 TRANSVERSE OVERHANG REINFORCEMENT SHOWN FOR CLARITY ONLY. BARS ARE NOT LOCATED AT SHEAR CONNECTOR BLOCKOUT LOCATIONS. SEE SECTION A-A FOR TRANSVERSE OVERHANG REINFORCEMENT SPACING.
- SEE SHEET 5 FOR FASCIA AND DRIP NOTCH DETAIL.



**SECTION A-A**  
SCALE: 1/2" = 1'-0"

- SPECIAL PROVISION (HIGH PERFORMANCE CONCRETE, RAPID SET) (FPQ)
- MORTAR, TYPE IV (COST INCIDENTAL TO ITEM 540.10)



PROJECT NAME: LUDLOW	PLOT DATE: 8/3/2016
PROJECT NUMBER: STP DECK(39)	DRAWN BY: M. SMITH
FILE NAME: z15bi09typ-99.dgn	CHECKED BY: S. BEAUMONT
PROJECT LEADER: J. BYATT	DESIGNED BY: N. CARON
DECK DETAILS SHEET 4	SHEET 17 OF 42

MODEL: Sheet07  
CLD 15-0223