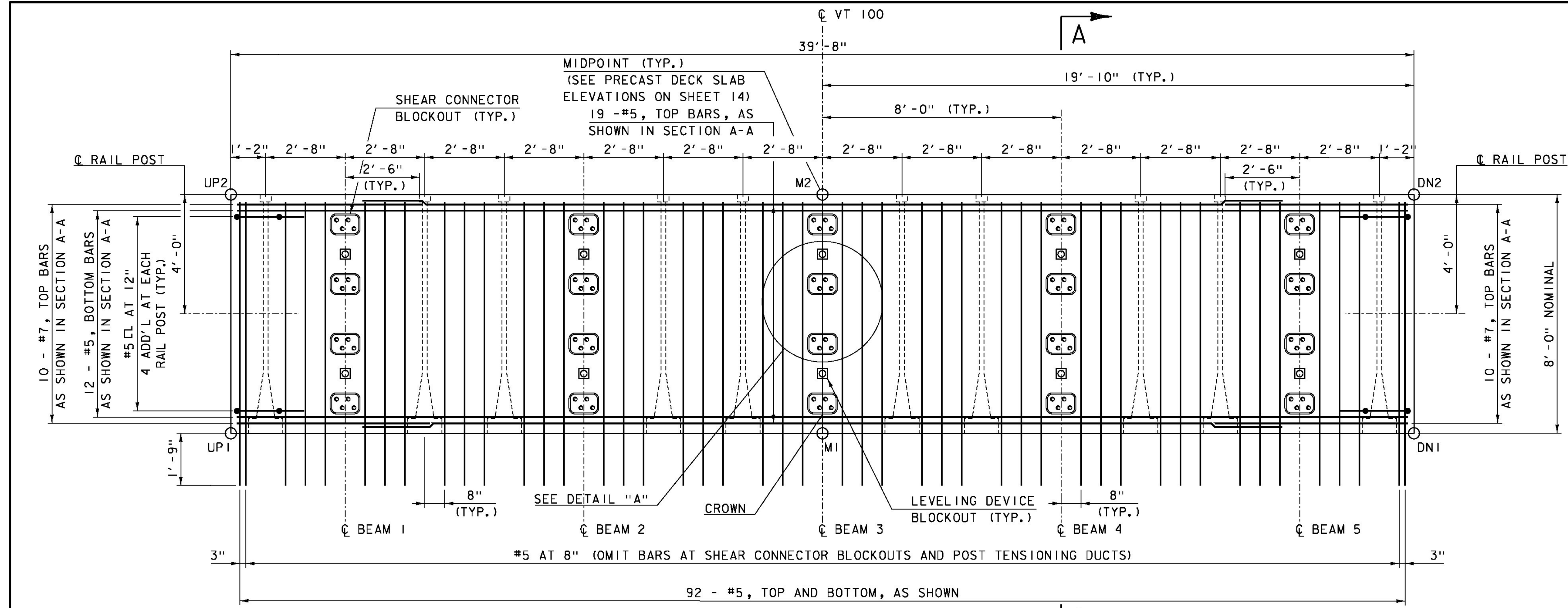
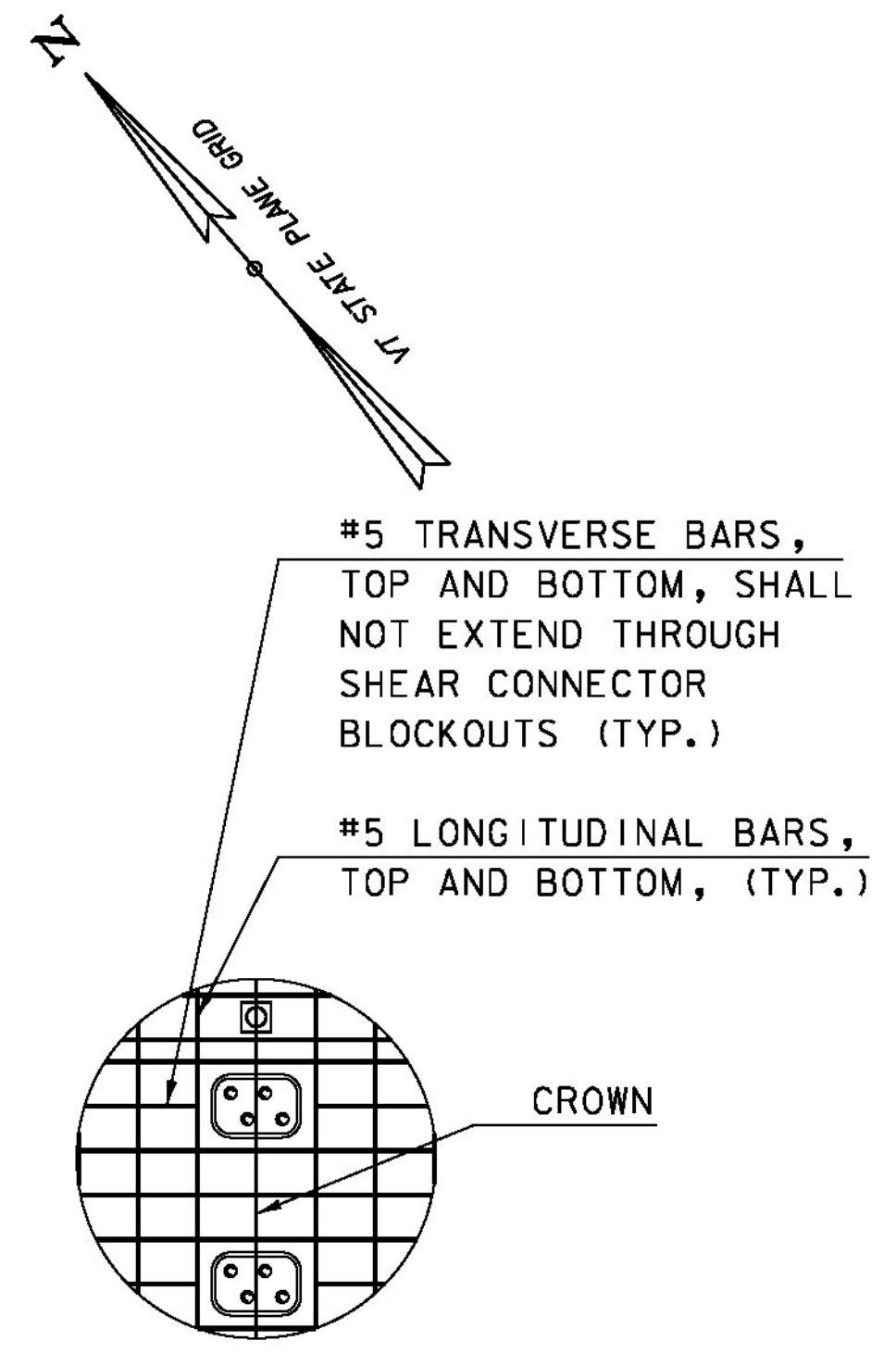


MODEL: Sheet05  
CLD 15-0223



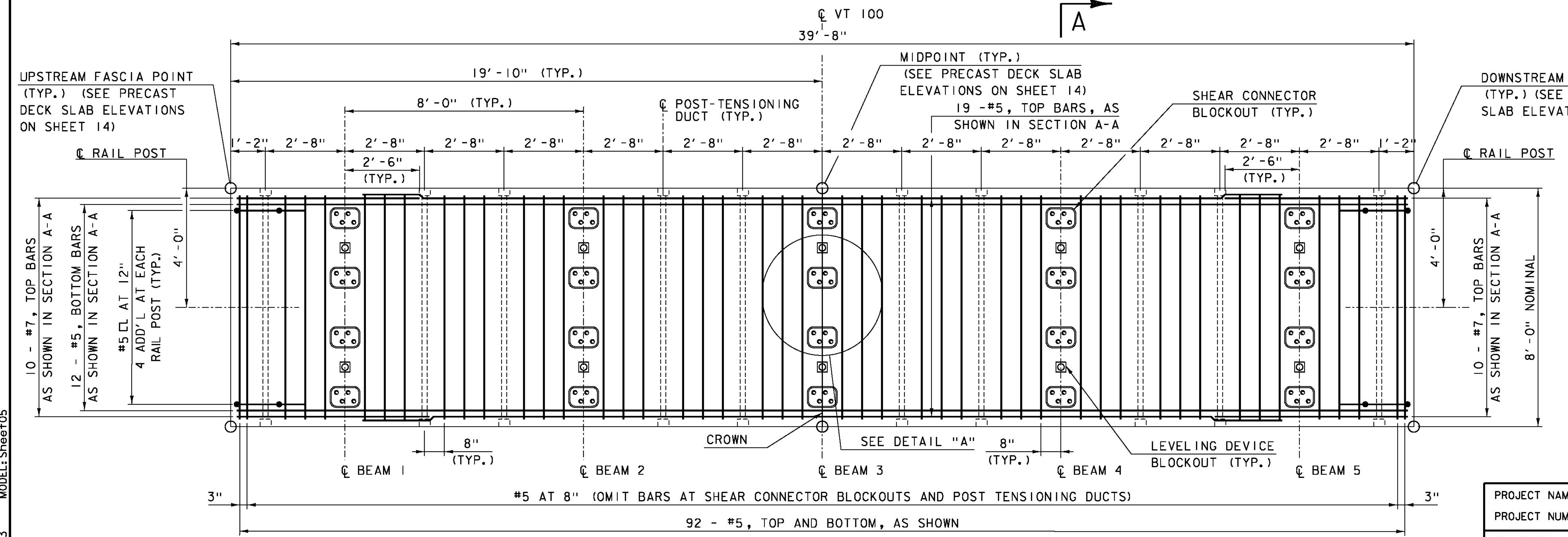
**PRECAST SLAB U1 PLAN**

SCALE: 1/2" = 1'-0"



**DETAIL "A"**

SCALE: 1/2" = 1'-0"



**PRECAST SLAB U2 PLAN**

SCALE: 1/2" = 1'-0"  
(8 REQUIRED)

**NOTES:**

1. 3" CLEAR FROM SLAB EDGES. 1" MIN. CLEAR FROM ALL BLOCKOUTS, POCKETS, OR LEVELING DEVICES.
2. 2'-2" SPLICE UNLESS OTHERWISE SPECIFIED ON PLANS.
3. 10" HOOK UNLESS OTHERWISE SPECIFIED ON PLANS.
4. SEE SHEET 17 FOR TYPICAL PRECAST SLAB SECTION AND SECTION A-A.
5. SEE SHEET 20 FOR ANCHORAGE ZONE REINFORCEMENT.

PROJECT NAME:	LUDLOW	FILE NAME:	z15bi09+typ-99.dgn	PLOT DATE:	8/3/2016
PROJECT NUMBER:	STP DECK(39)	PROJECT LEADER:	J. BYATT	DRAWN BY:	M. SMITH
		DESIGNED BY:	N. CARON	CHECKED BY:	S. BEAUMONT
		DECK DETAILS SHEET 2			SHEET 15 OF 42

