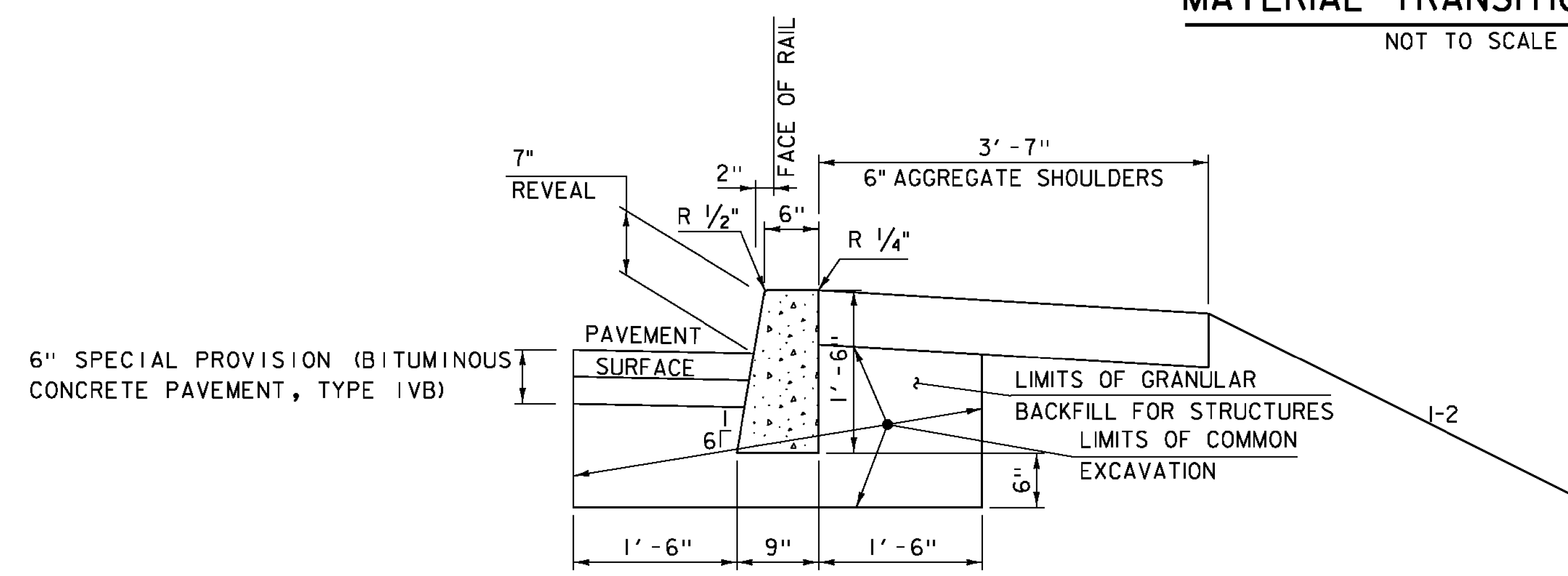
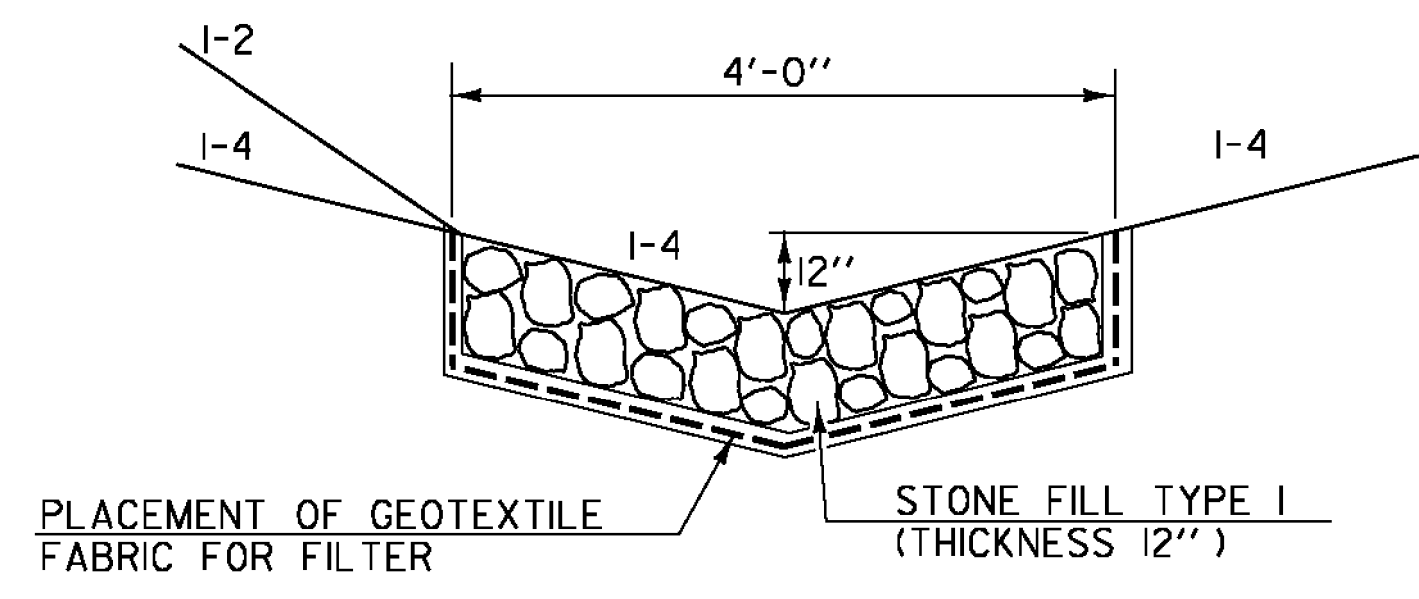


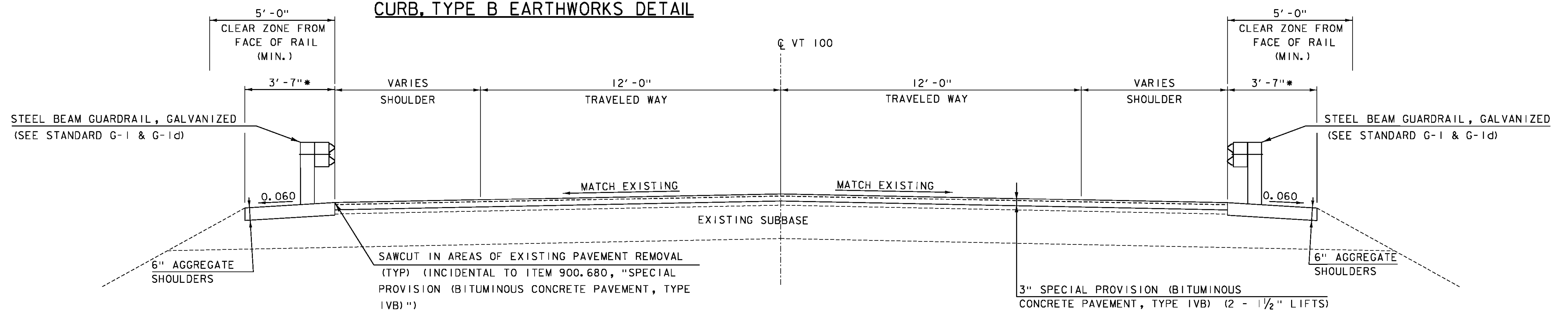
**MATERIAL TRANSITION DIAGRAM**  
NOT TO SCALE



**TYPICAL CAST-IN-PLACE CONCRETE CURB, TYPE B EARTHWORKS DETAIL**



**TYPICAL STONE FILL DITCH**



**VT 100 TYPICAL SECTION**  
SCALE: 1/2" = 1'-0"

\*GUARDRAIL PANEL SHALL BE REDUCED TO A MINIMUM OF 2'-7" AS SHOWN IN THE LAYOUT SHEET

MATERIAL TOLERANCES	
SURFACE	
- PAVEMENT (TOTAL THICKNESS)	+/- 1/4"
- AGGREGATE SURFACE COURSE	+/- 1/2"
SUBBASE	+/- 1"

PROJECT NAME: LUDLOW	PLOT DATE: 8/3/2016
PROJECT NUMBER: STP DECK(39)	DRAWN BY: S. FORTIER
FILE NAME: z15bi09typ-99.dgn	CHECKED BY: L. GREER
PROJECT LEADER: J. BYATT	SHEET 7 OF 42
DESIGNED BY: S. FORTIER	
TYPICAL ROADWAY SECTIONS SHEET	



CLD 15-0223 MODEL: Sheet03