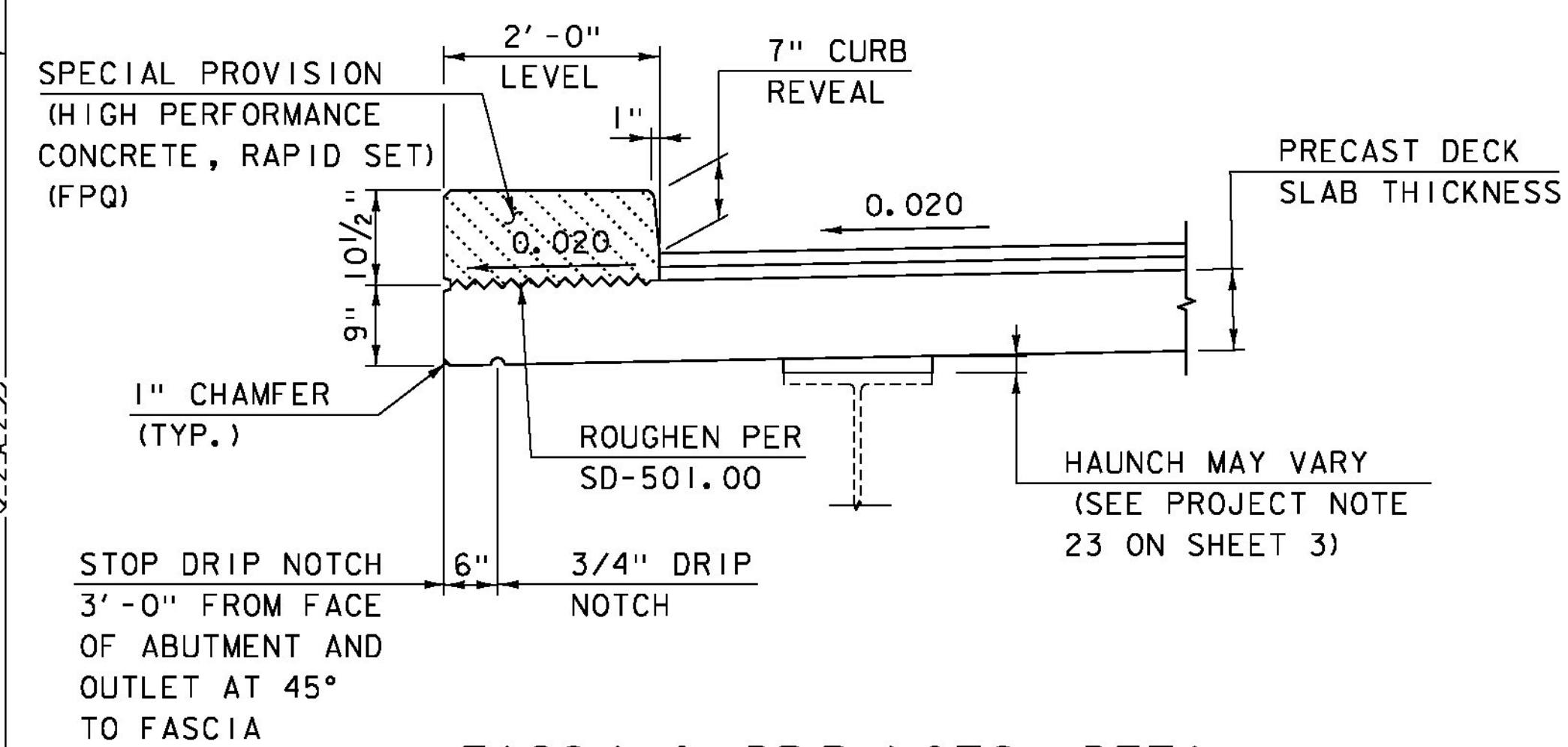


EXISTING BRIDGE SECTION

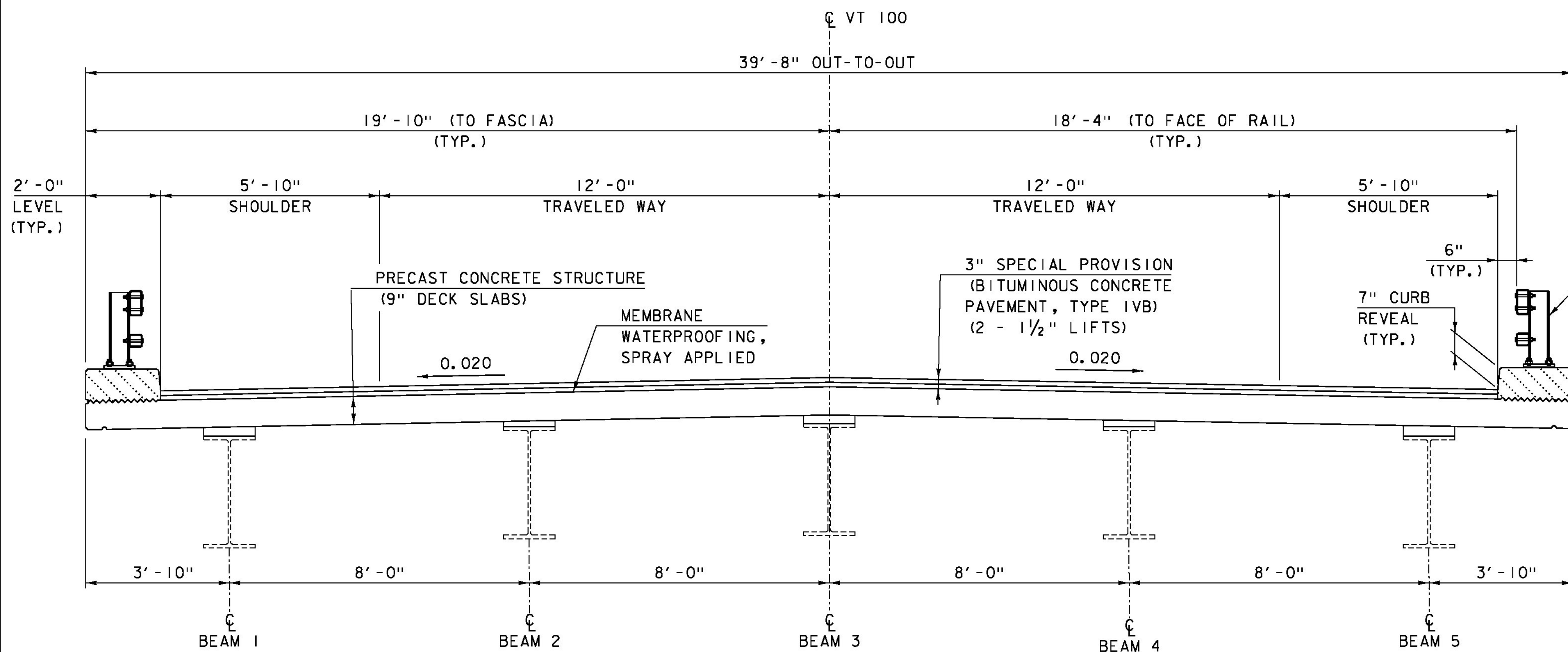
SCALE: 1/2" = 1'-0"

PARTIAL REMOVAL OF STRUCTURE



FASCIA & DRIP NOTCH DETAIL

SCALE: 3/4" = 1'-0"



TYPICAL BRIDGE SECTION

SCALE: 1/2" = 1'-0"

SPECIAL PROVISION (HIGH PERFORMANCE CONCRETE, RAPID SET) (FPQ)

BRIDGE RAILING, GALVANIZED 2 RAIL BOX BEAM (TYP.) (SEE STANDARD S-360A)

SCORE MARK (TYP.)

PROJECT NAME: LUDLOW
PROJECT NUMBER: STP DECK(39)

FILE NAME: z15bi09typ-99.dgn
PROJECT LEADER: J. BYATT
DESIGNED BY: N. CARON
TYPICAL BRIDGE SECTIONS SHEET 1

PLOT DATE: 8/3/2016
DRAWN BY: M. SMITH
CHECKED BY: S. BEAUMONT
SHEET 5 OF 42



MODEL: Sheet 01
CLD 15-0223