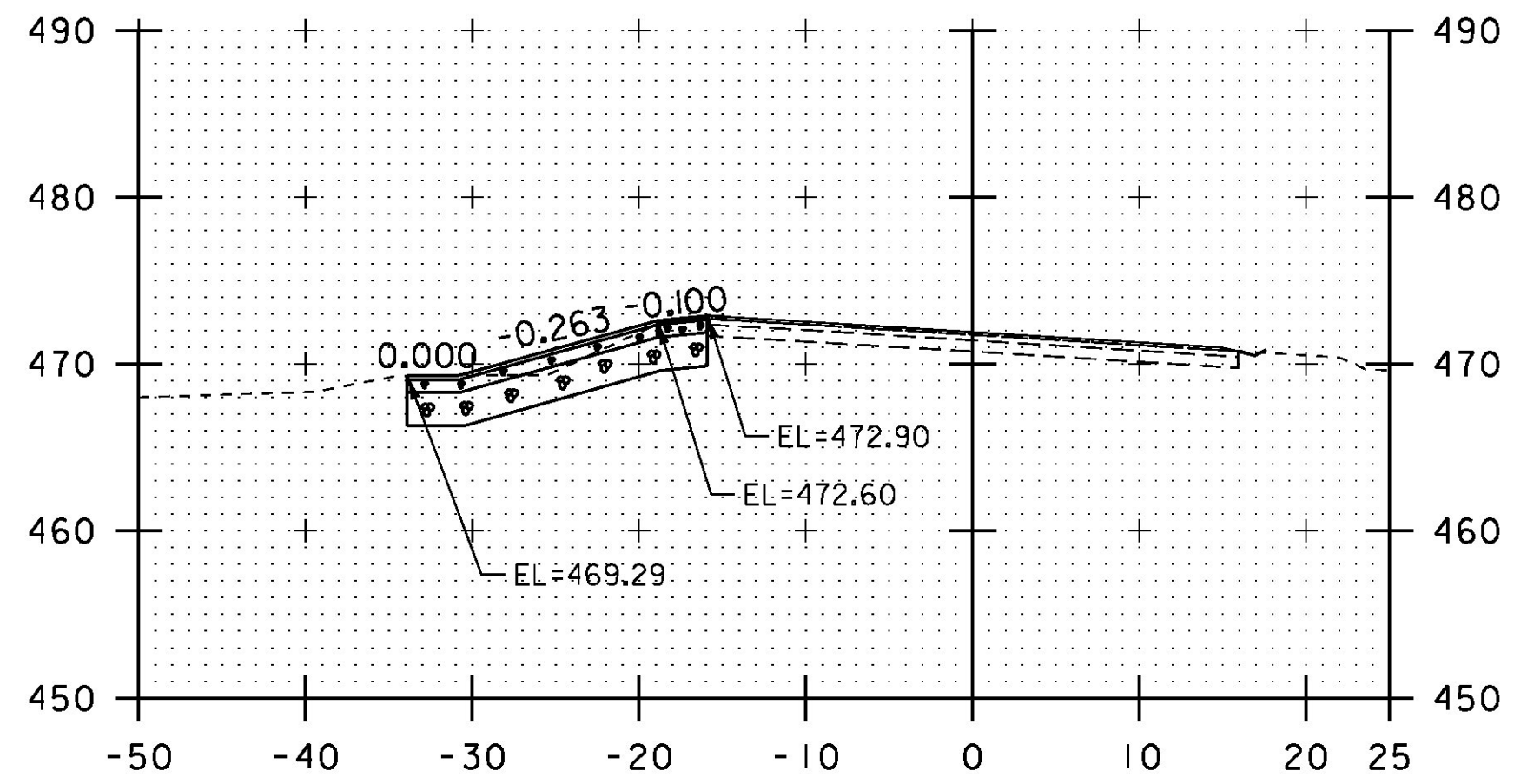
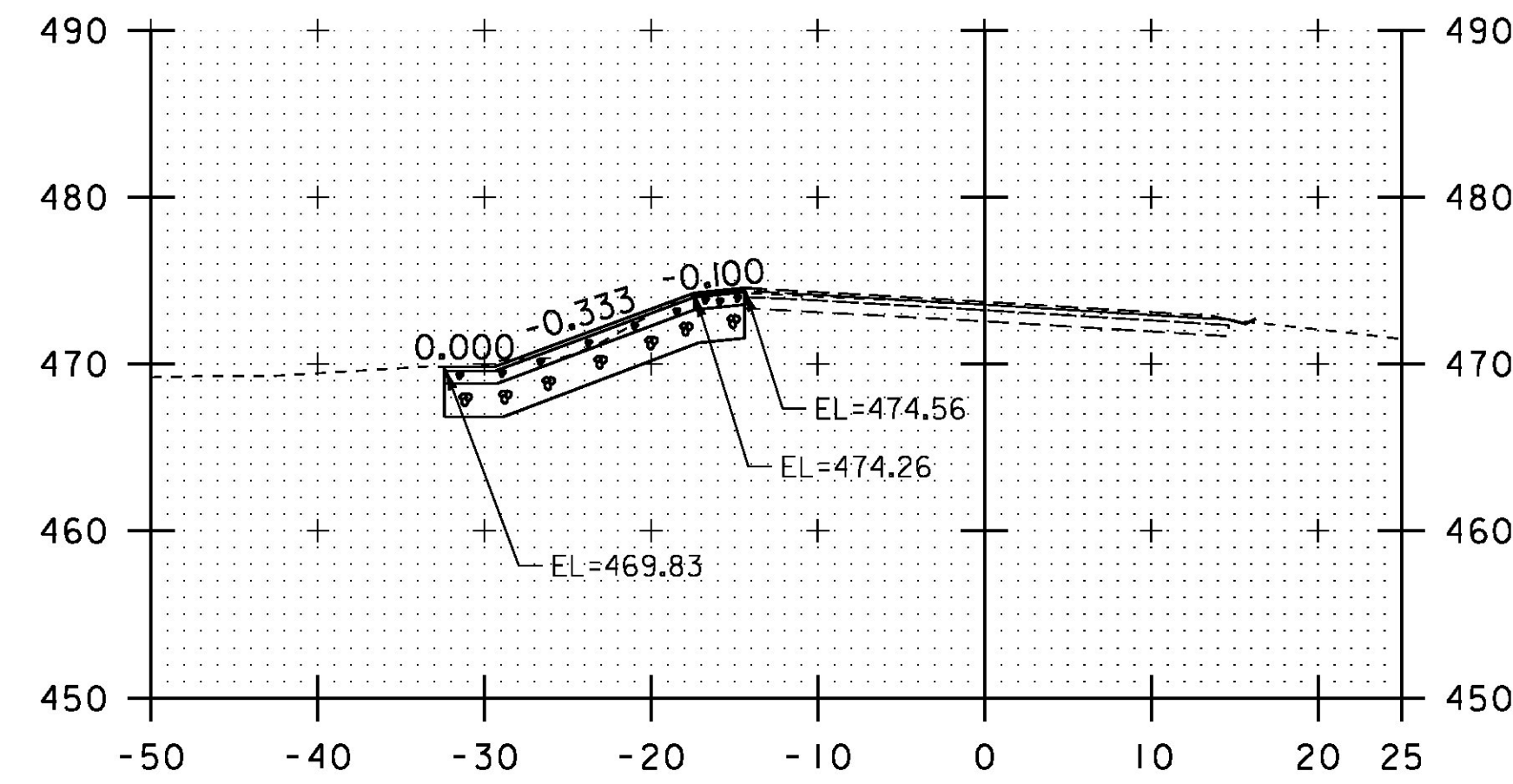


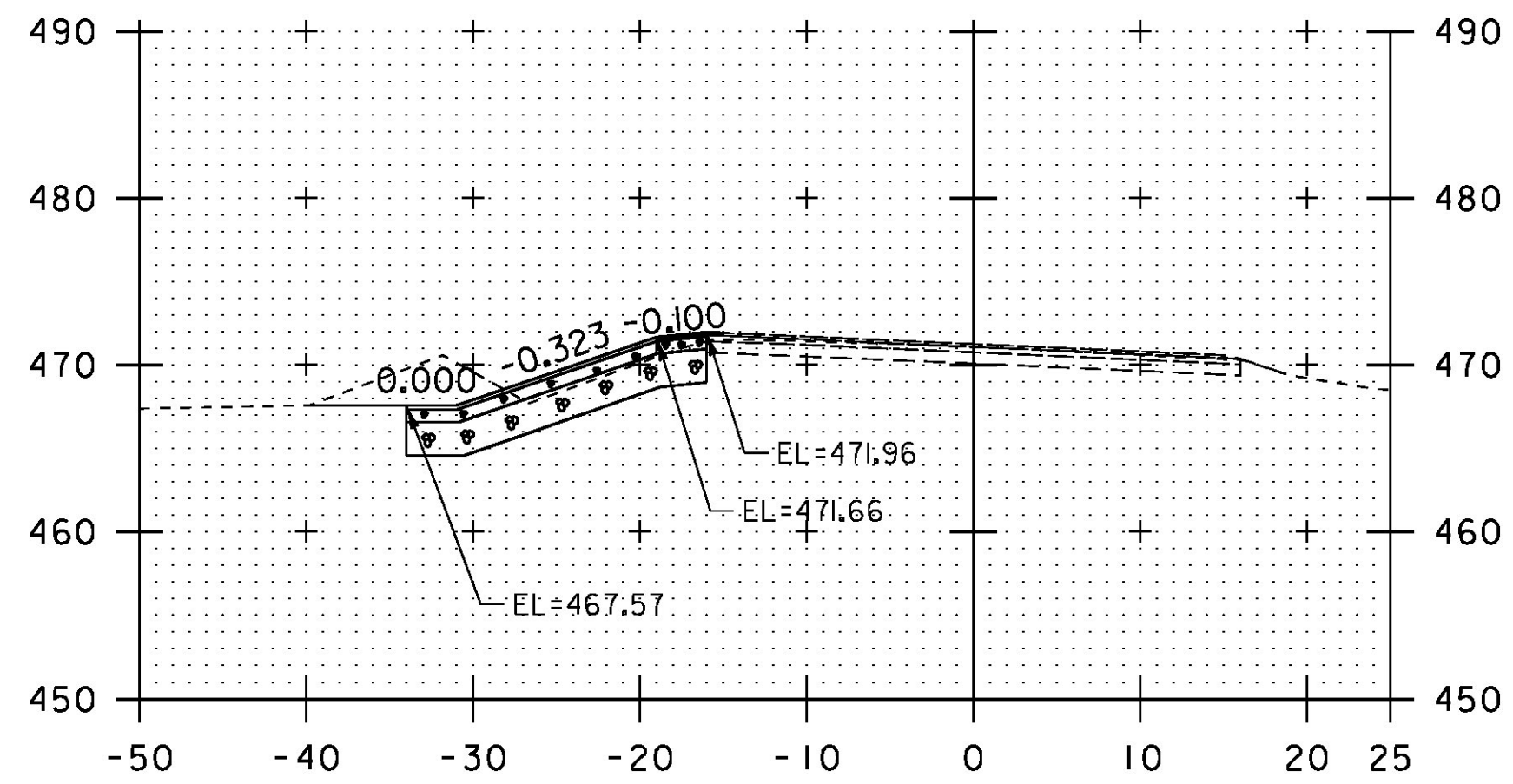
51+75



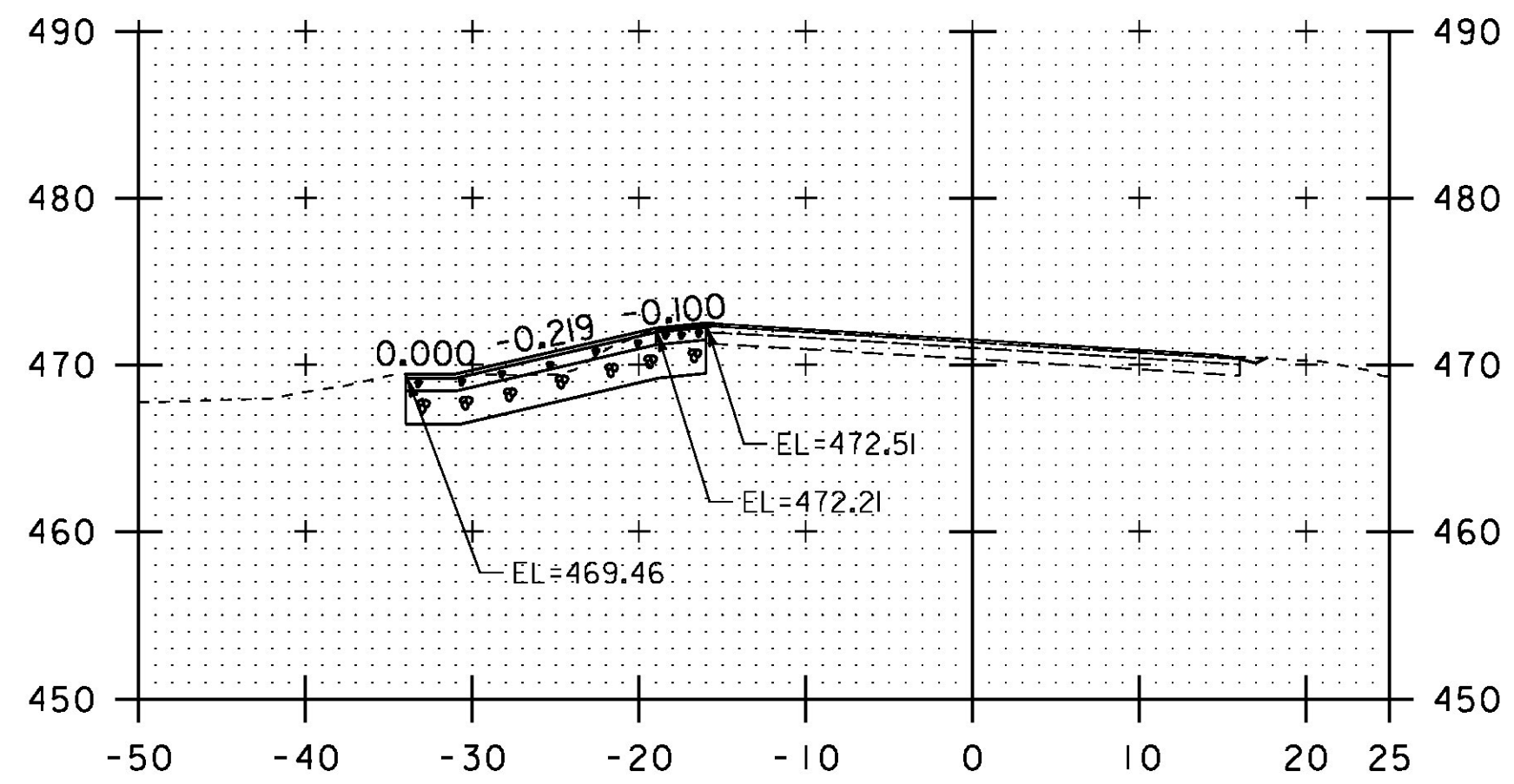
52+50



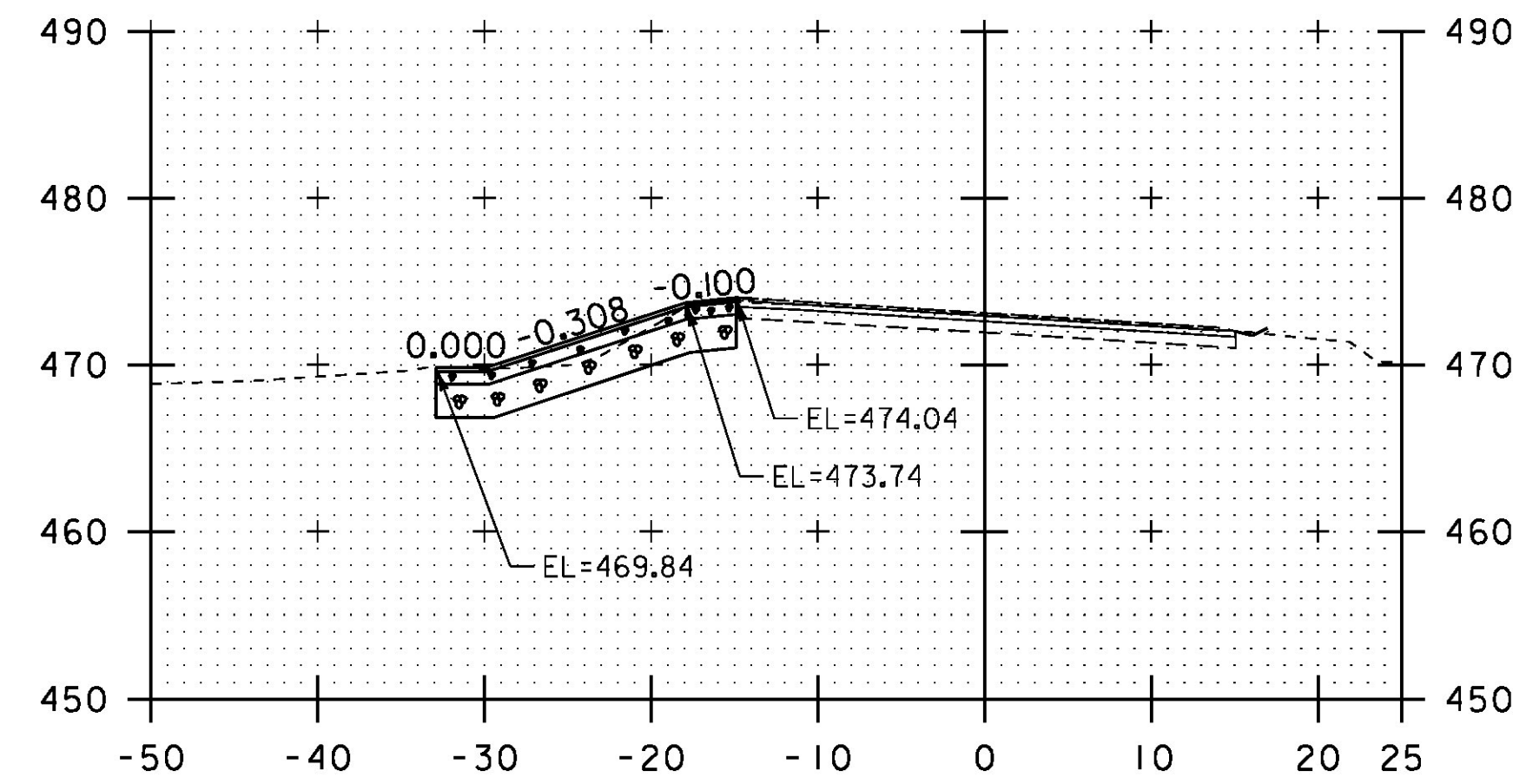
53+25 END PROJECT  
SPECIAL PROVISION (GABION MATTRESS)



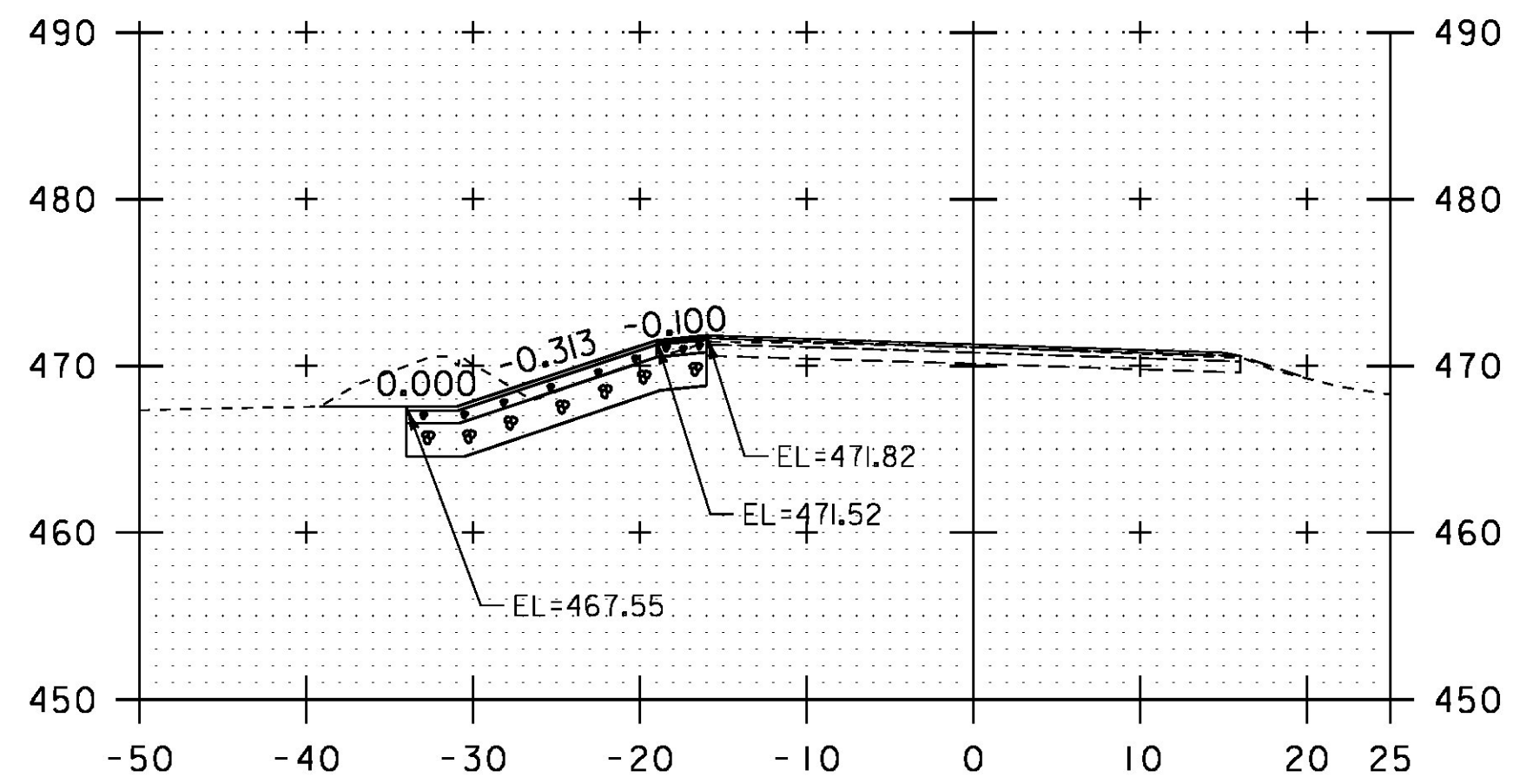
51+50



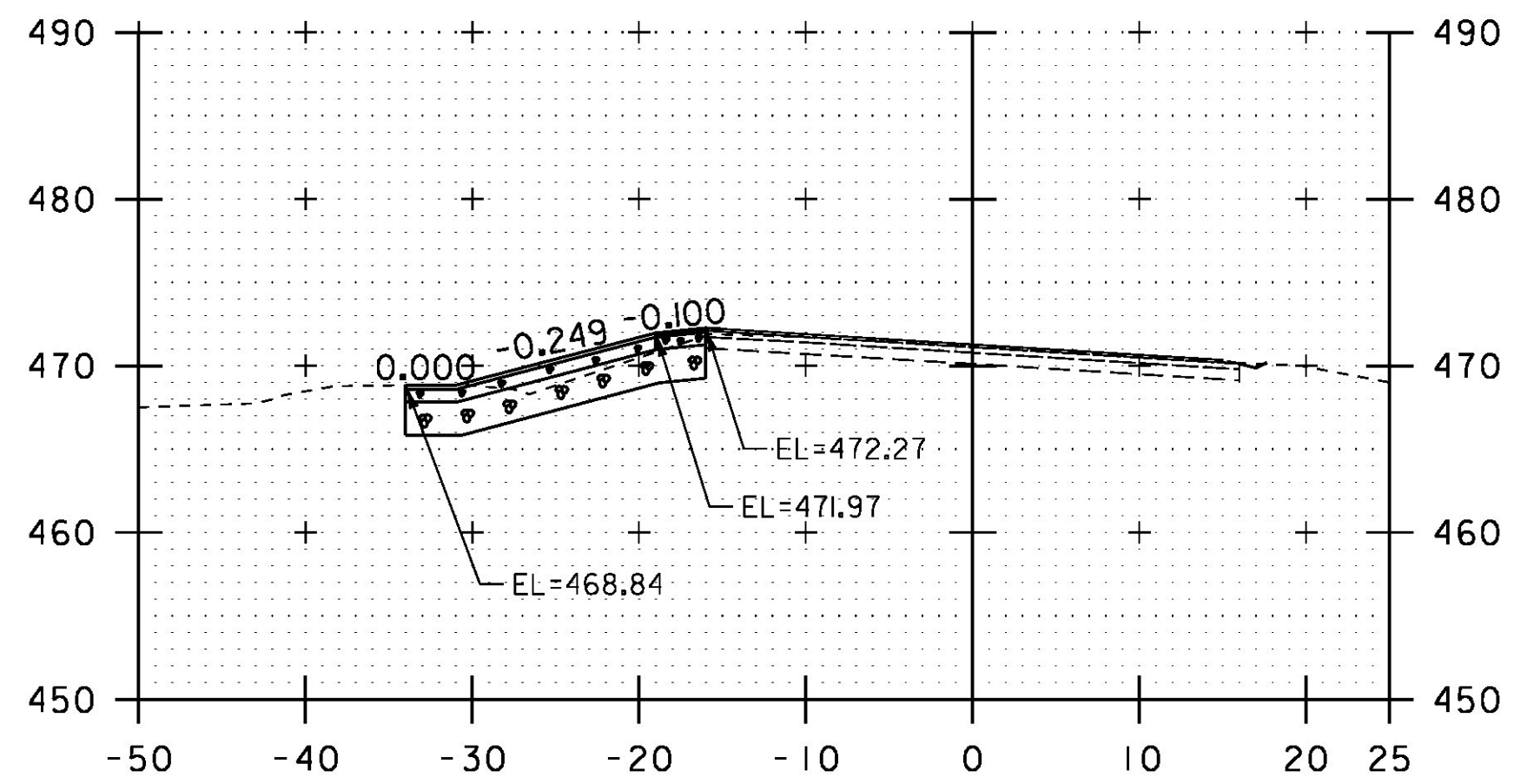
52+25



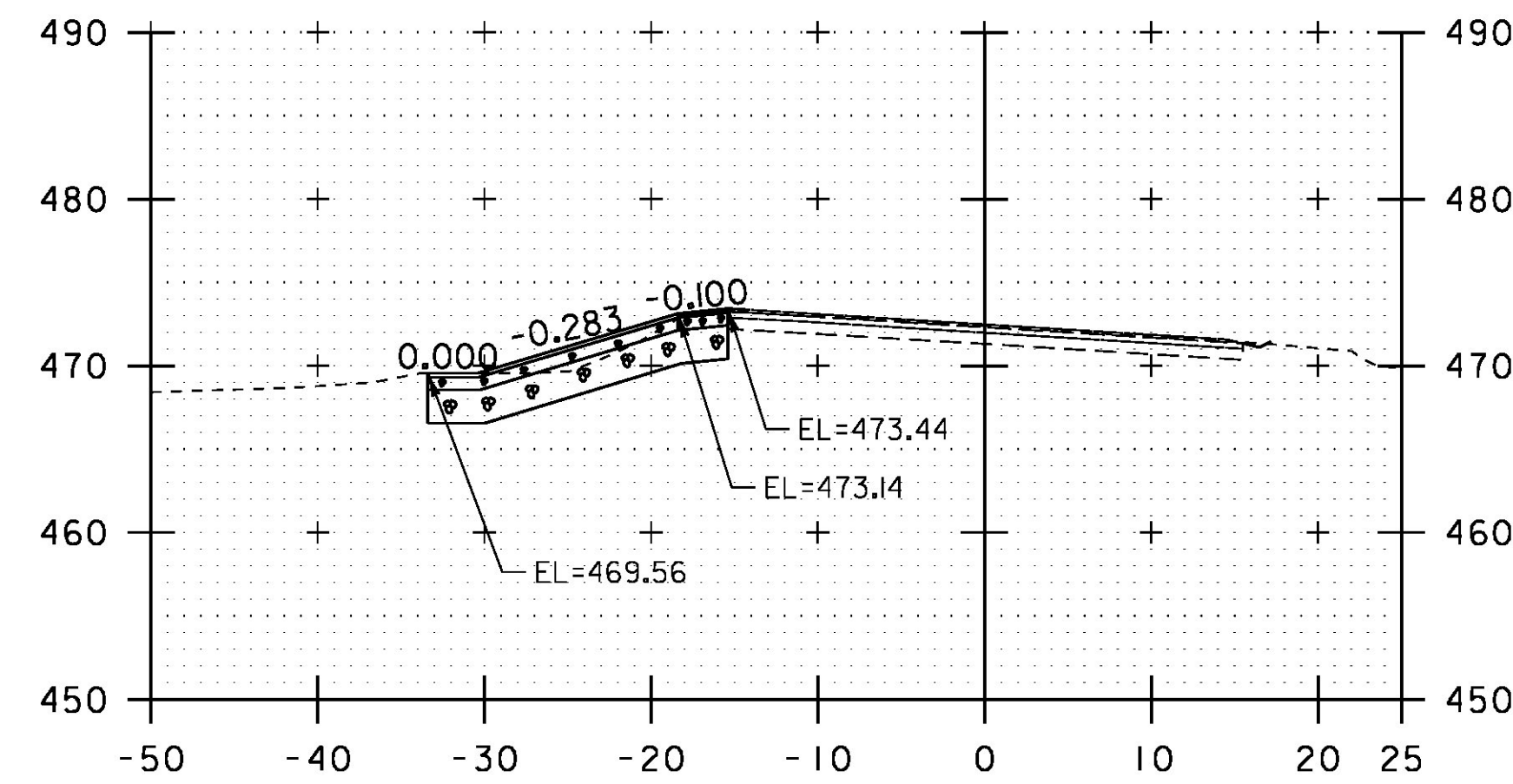
53+00



51+25



52+00



52+75

STA. 51+25 TO STA. 53+25

PROJECT NAME:	ESSEX	PLOT DATE:	08-JUN-2015
PROJECT NUMBER:	STP 2912(2)	DRAWN BY:	N. PAPPAS
FILE NAME:	p14v256_wrk.dgn	DESIGNED BY:	N. PAPPAS
PROJECT LEADER:	M. FOWLER	CHECKED BY:	M. FOWLER
GABION MATTRESS CROSS SECTION 3		SHEET	15 OF 17