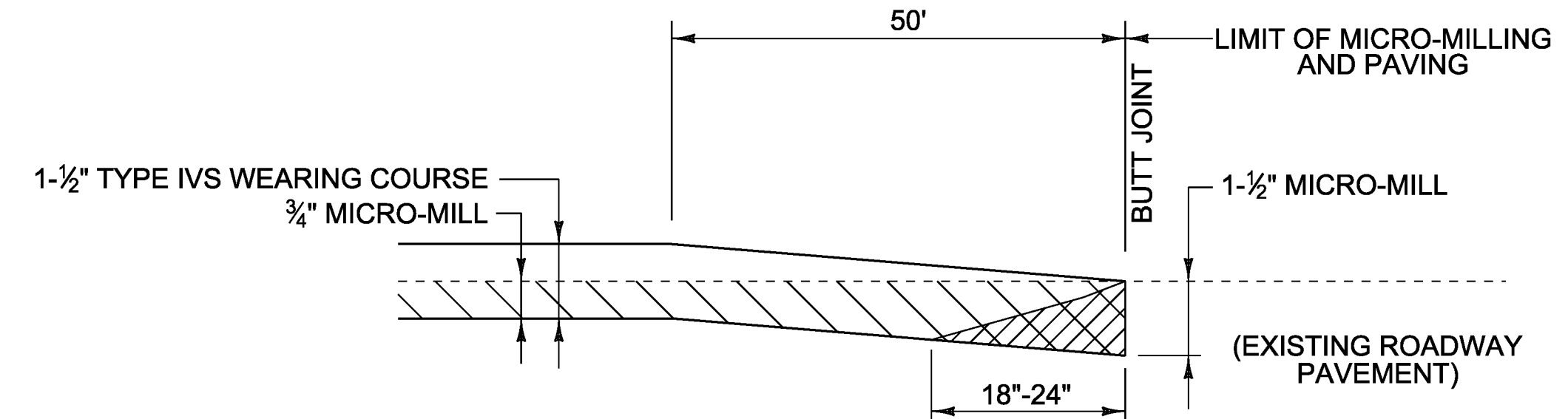


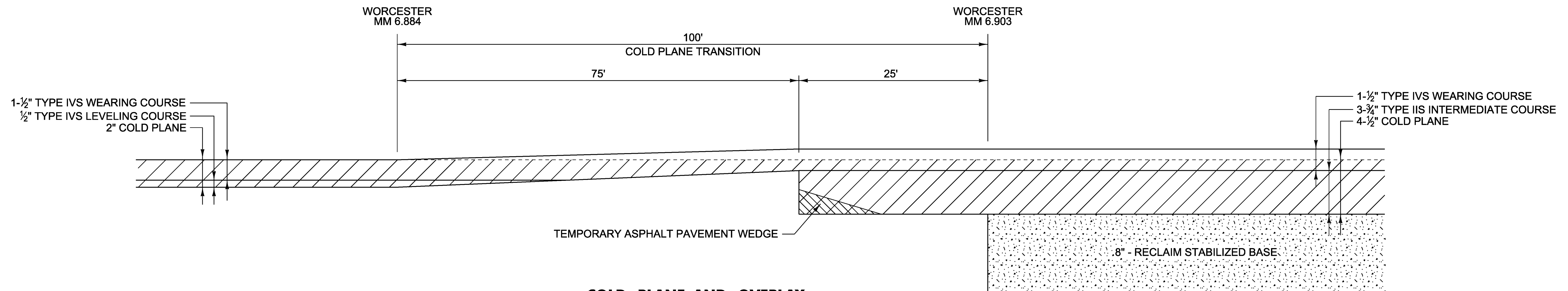
**COLD PLANE APPROACH  
AREA DETAIL**

WORCESTER:  
MM 5.828

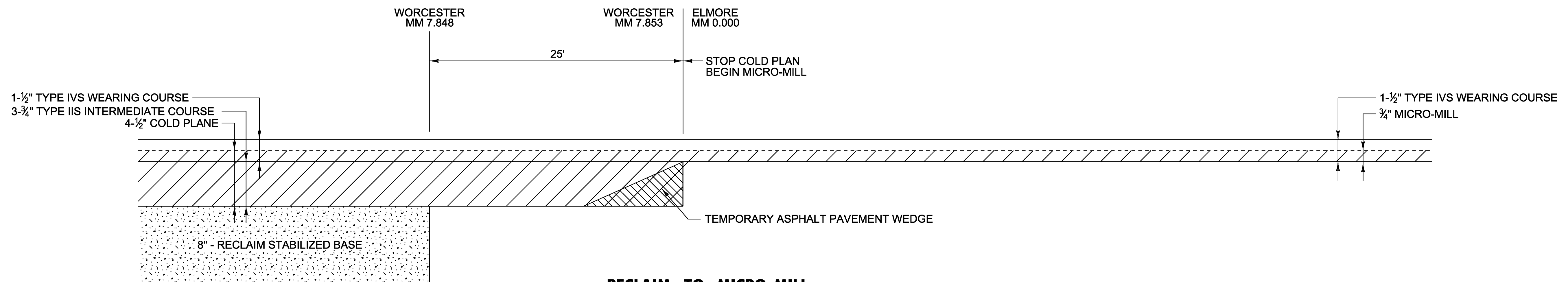


**MICRO-MILL APPROACH  
AREA DETAIL**

ELMORE:  
MM 1.611



**COLD PLANE AND OVERLAY  
TO RECLAIM DETAIL**



**RECLAIM TO MICRO-MILL  
AND OVERLAY DETAIL**

**NOTE:**

TEMPORARY ASPHALT WEDGE SHALL BE REMOVED PRIOR TO PAVING. COST WILL BE CONSIDERED INCIDENTAL TO ITEM 490.30 - SUPERPAVE BITUMINOUS CONCRETE PAVEMENT (PG 58-34).

**NOT TO SCALE**

PROJECT NAME: WORCESTER-ELMORE

PROJECT NUMBER: STP 2954(I)

FILE NAME: pl4v23lwrk.dgn

PLOT DATE: 13-MAY-2016

PROJECT LEADER: J. HARRINGTON

DRAWN BY: B. KIPP

DESIGNED BY: B. KIPP

CHECKED BY: N. PAPPAS

DETAIL SHEET 2

SHEET 7 OF 33