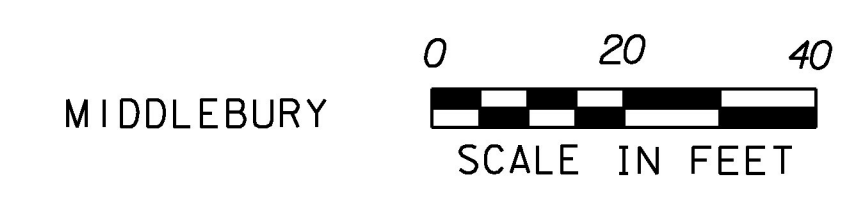
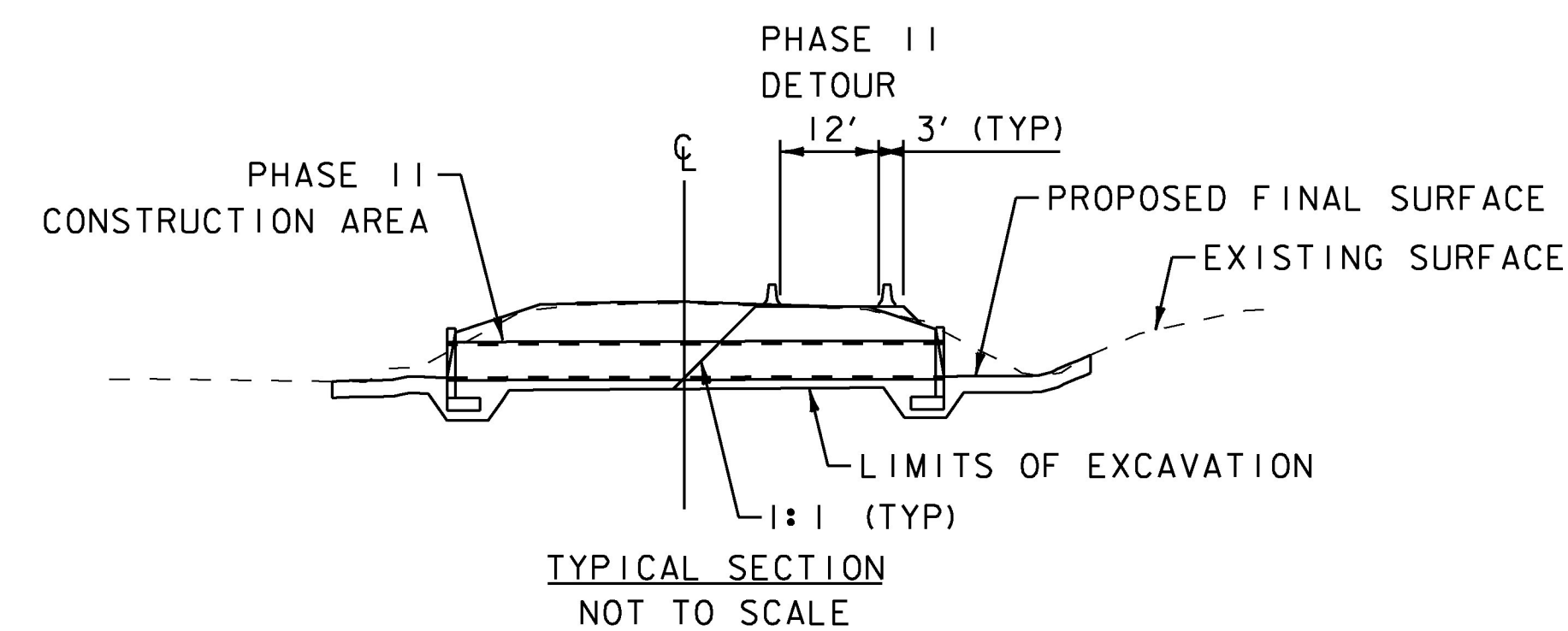
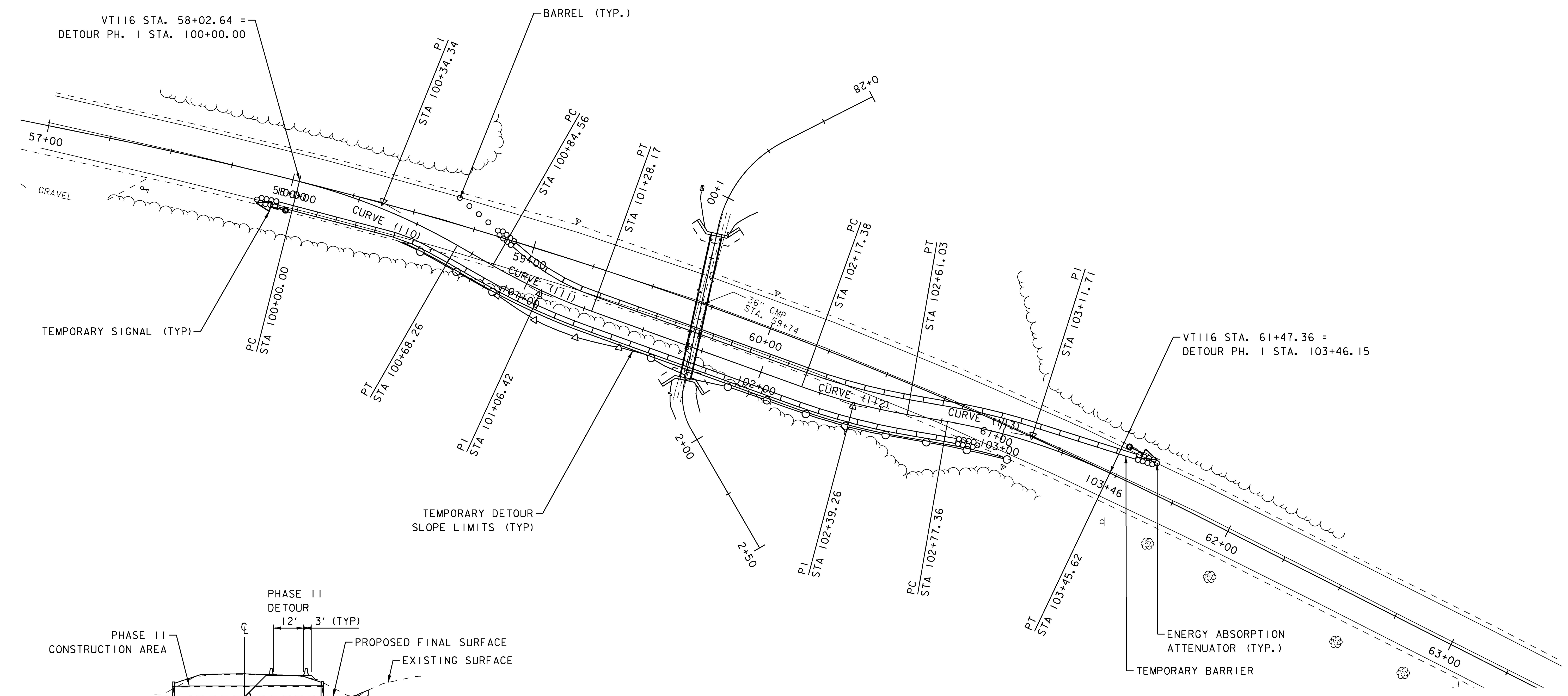


CURVE (110)
 DELTA = 15°38'35"
 10034.34D = 22°55'06"
 540321.67R = 250.00'
 1481043.37T = 34.34'
 L = 68.26'
 E = 2.35'
 0

CURVE (111)
 DELTA = 9°59'45"
 10106.42D = 22°55'06"
 540384.59R = 250.00'
 1481079.38T = 21.86'
 L = 43.62'
 E = 0.95'
 0

CURVE (112)
 DELTA = 10°00'15"
 10239.26D = 22°55'06"
 540509.69R = 250.00'
 1481124.40T = 21.88'
 L = 43.65'
 E = 0.96'
 0

CURVE (113)
 DELTA = 15°38'35"
 10311.71D = 22°55'06"
 540581.19R = 250.00'
 1481136.73T = 34.34'
 L = 68.26'
 E = 2.35'
 0



PROJECT NAME:	MIDDLEBURY-STARKSBORO
PROJECT NUMBER:	STP 2953(I)
FILE NAME:	z14V227mml131detourbdr.dgn
PROJECT LEADER:	C.LATHROP
DESIGNED BY:	S.SOLLA
CULVERT DETOUR SHEET PHASE II	
PLOT DATE:	5/4/2017
DRAWN BY:	S.SOLLA
CHECKED BY:	C.LATHROP
SHEET	181 OF 186