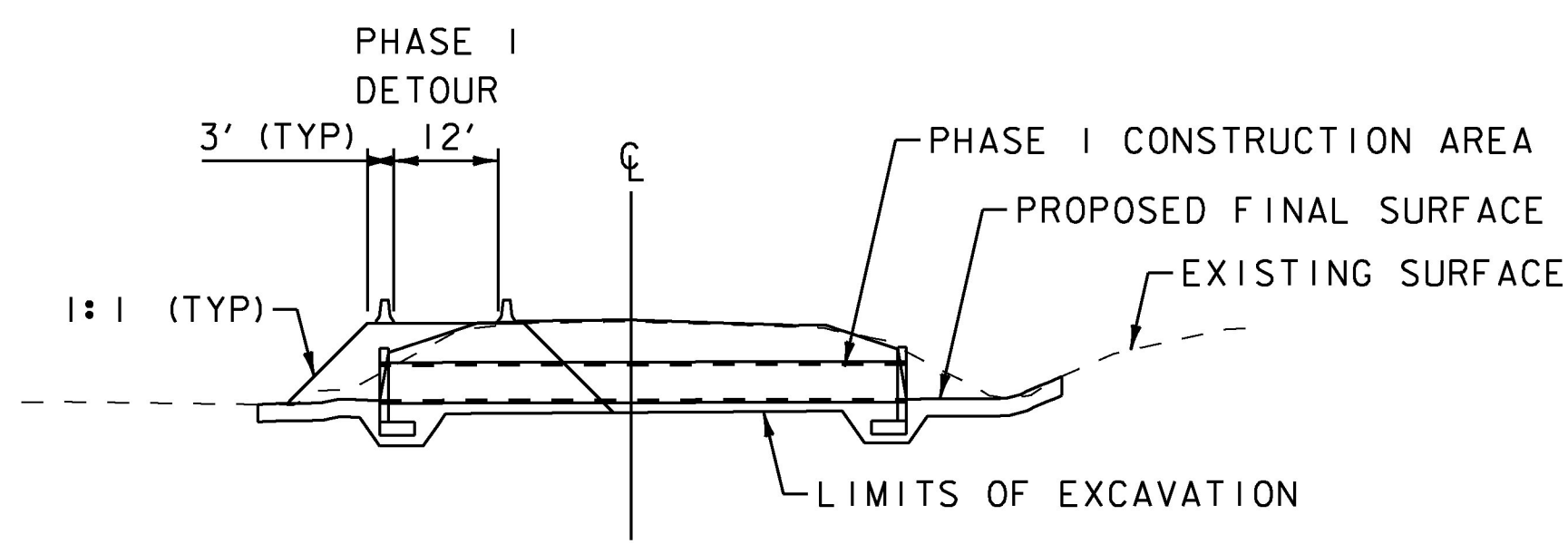
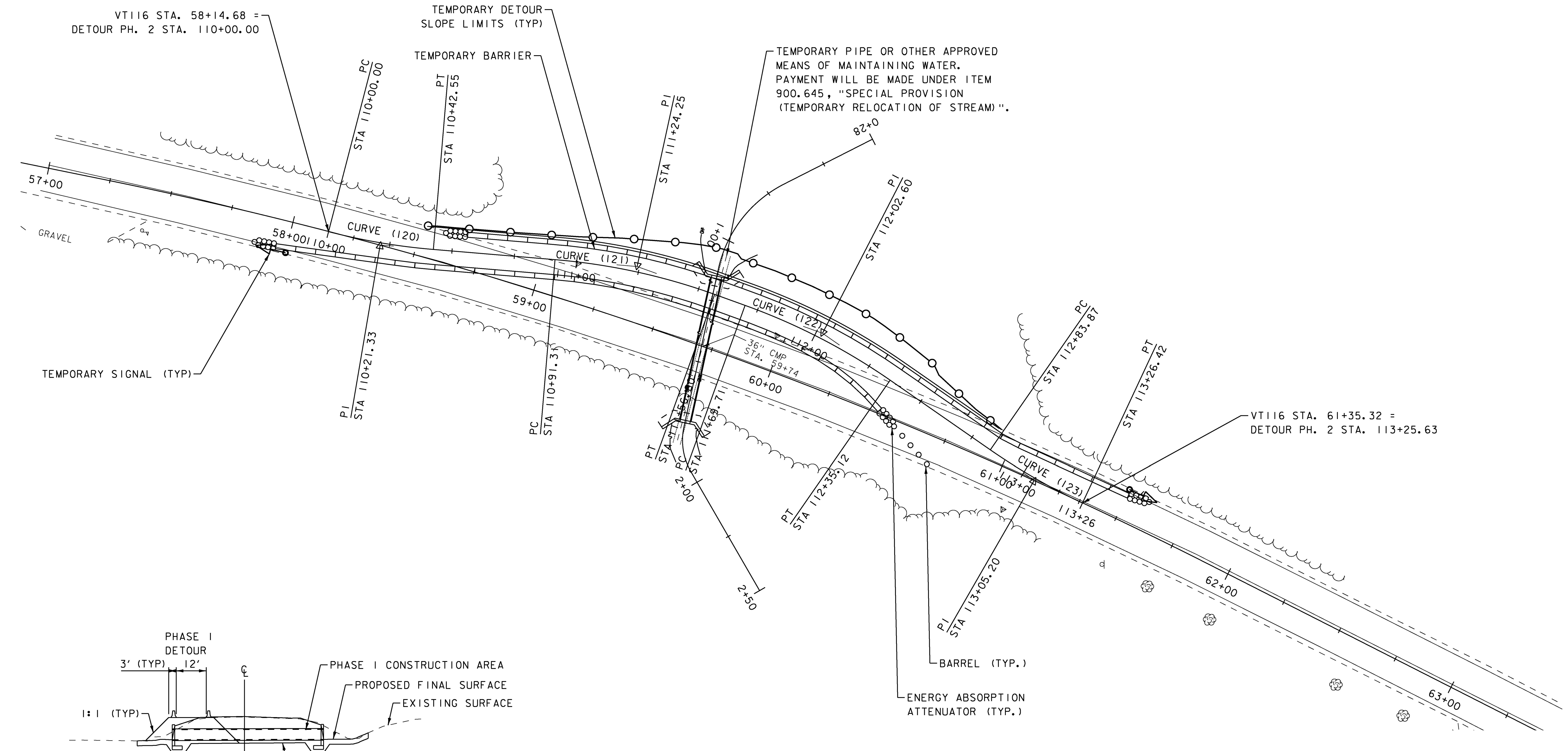
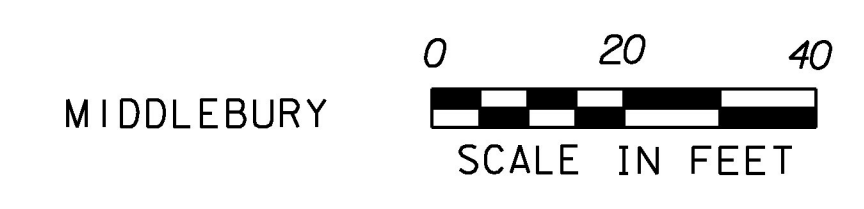


| | | | |
|--|---|---|--|
| CURVE (120) DELTA = 9°45'04" 11021.33D = 22°55'06" 540320.68R = 250.00' 1481043.31T = 21.33' L = 42.55' E = 0.91' 0 | CURVE (121) DELTA = 15°00'33" 11124.25D = 22°55'06" 540423.34R = 250.00' 1481051.91T = 32.93' L = 65.49' E = 2.16' 0 | CURVE (122) DELTA = 14°59'27" 11202.60D = 22°55'06" 540497.42R = 250.00' 1481078.57T = 32.89' L = 65.41' E = 2.15' 0 | CURVE (123) DELTA = 9°45'04" 11305.20D = 22°55'06" 540581.99R = 250.00' 1481137.32T = 21.33' L = 42.55' E = 0.91' 0 |
|--|---|---|--|



TYPICAL SECTION
NOT TO SCALE



| | |
|---------------------------------------|-----------------------|
| PROJECT NAME: MIDDLEBURY-STARKSBORO | PLOT DATE: 5/4/2017 |
| PROJECT NUMBER: STP 2953(1) | DRAWN BY: S.SOLLA |
| FILE NAME: z14V227mml131detourbdr.dgn | CHECKED BY: C.LATHROP |
| DESIGNED BY: S.SOLLA | SHEET 180 OF 186 |
| CULVERT DETOUR SHEET PHASE I | |