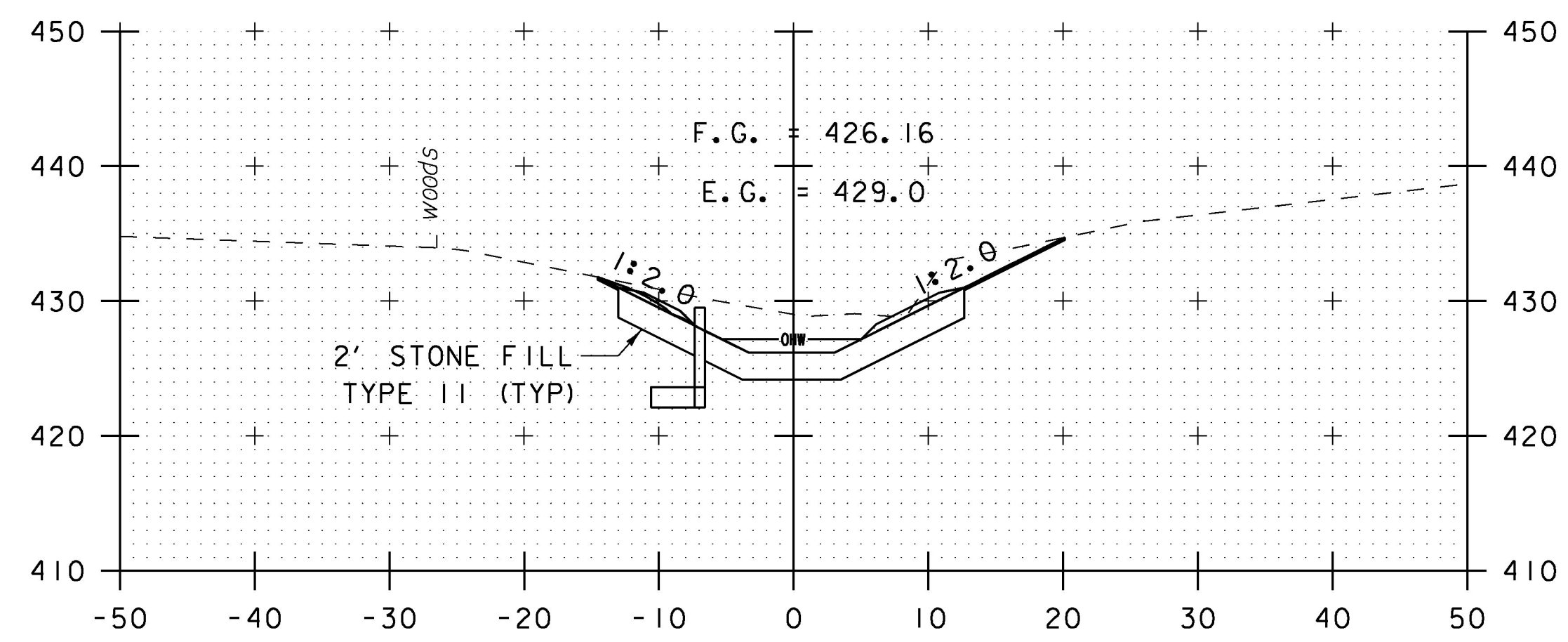
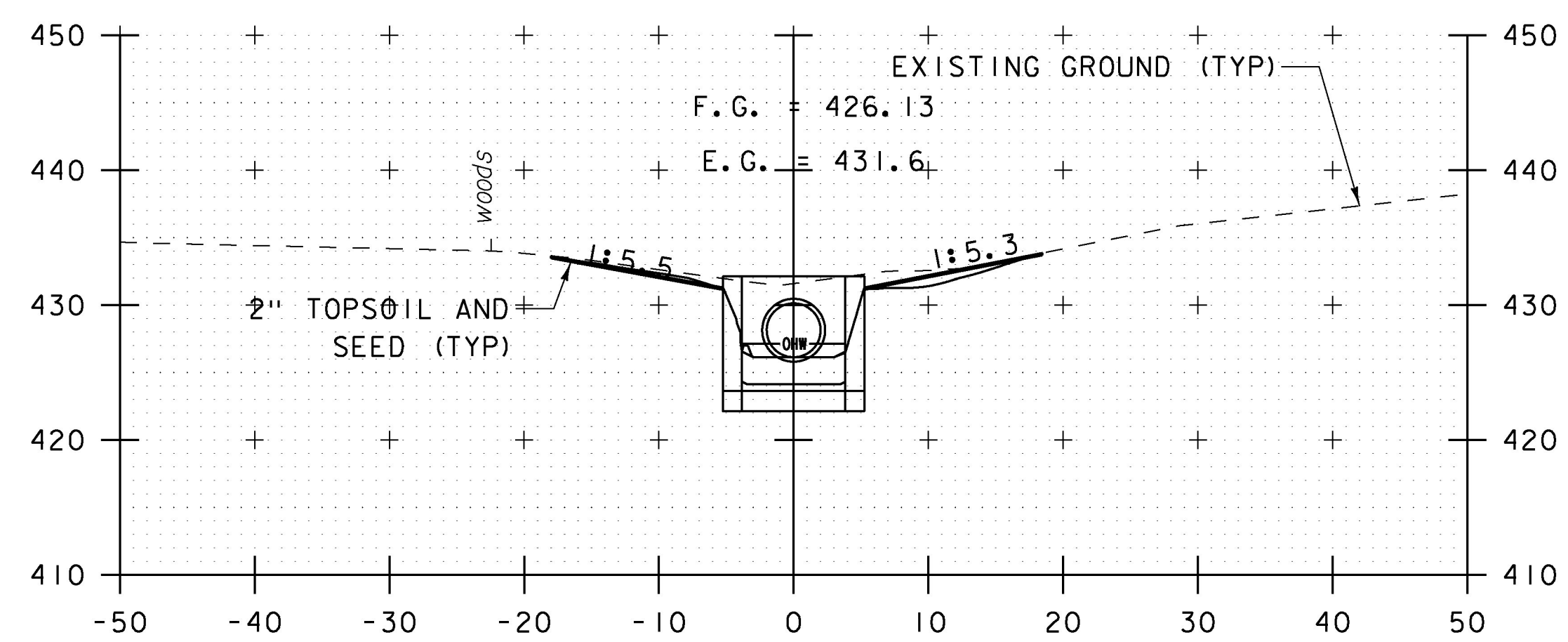


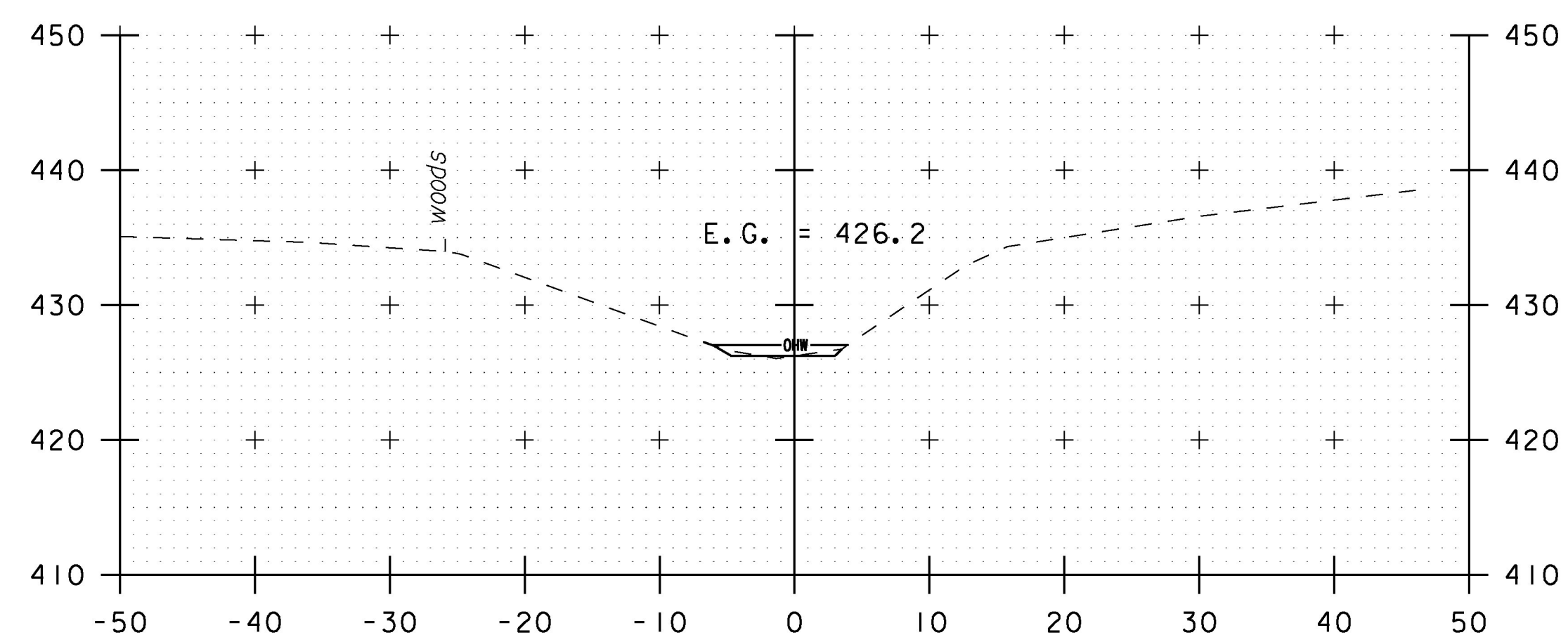
1+85



1+80

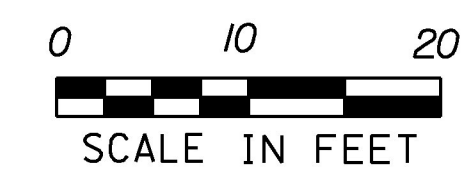


1+75
INLET HEADWALL



1+90
END CHANNEL WORK

STA. 1+75 TO STA. 1+90



MIDDLEBURY

PROJECT NAME: MIDDLEBURY-STARKSBORO	PLOT DATE: 5/4/2017
PROJECT NUMBER: STP 2953(I)	DRAWN BY: S.SOLLA
FILE NAME: z14V227mmL13chxs.dgn	CHECKED BY: C.LATHROP
DESIGNED BY: S.SOLLA	SHEET 137 OF 186
CHANNEL CROSS SECTION SHEET 2	