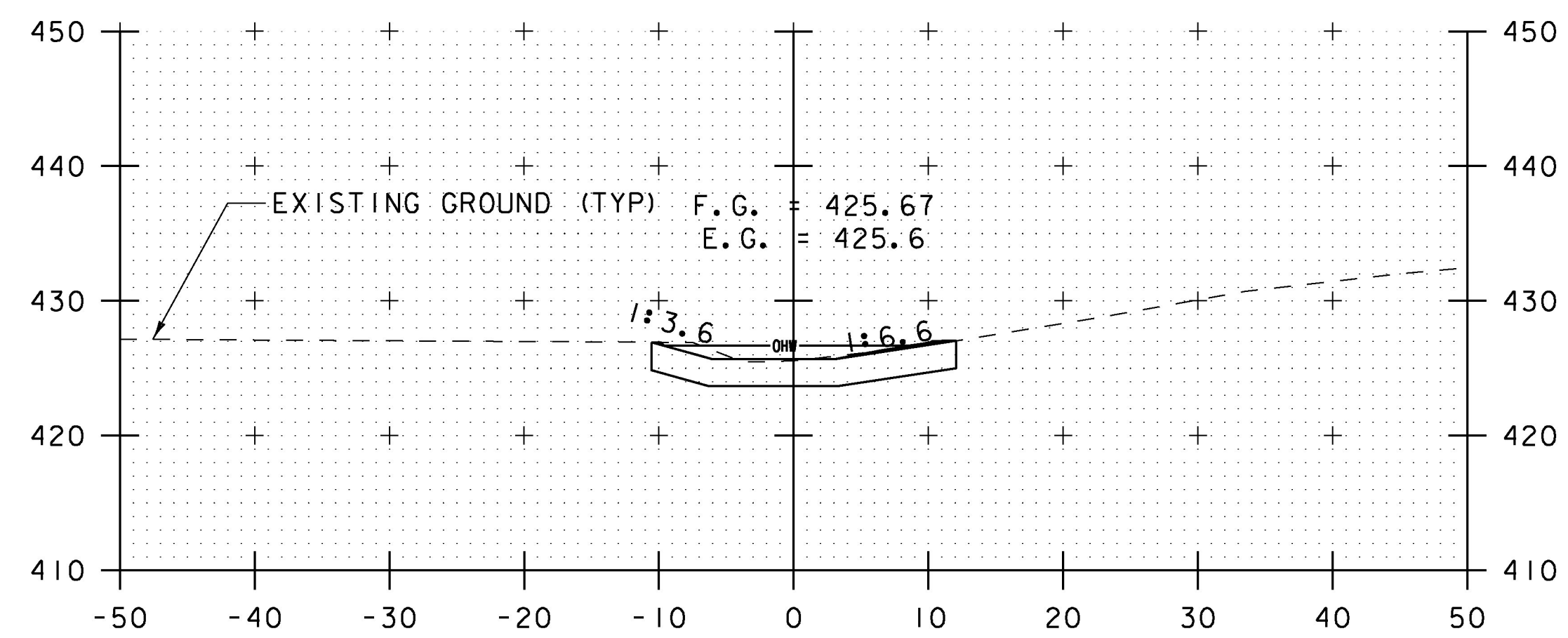
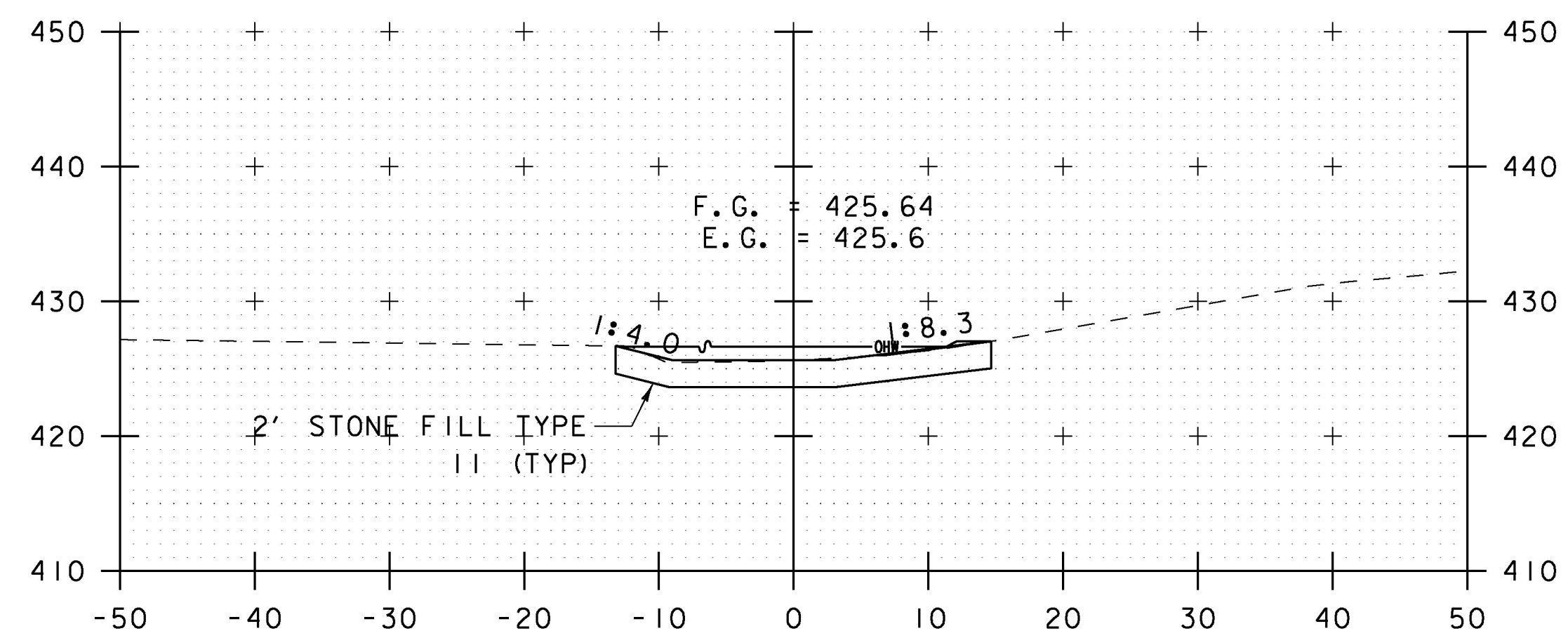


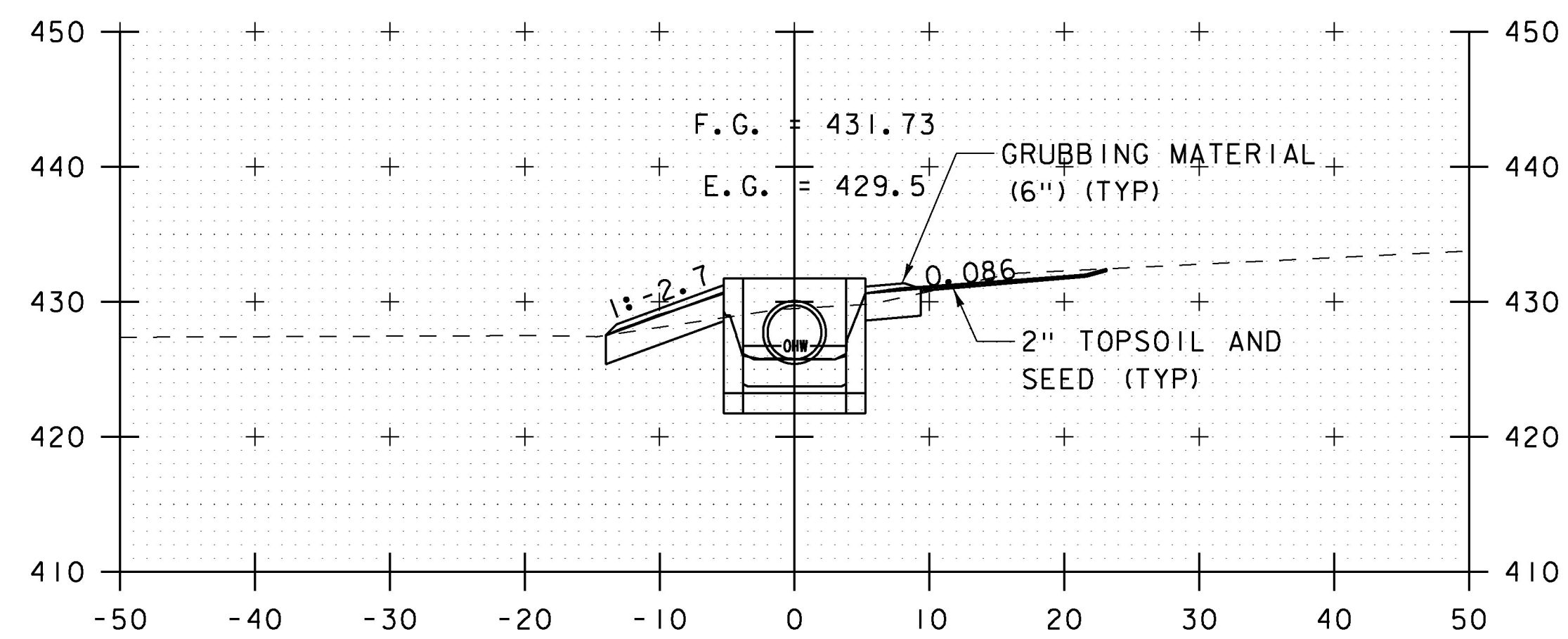
1+10



1+05



1+00
BEGIN CHANNEL WORK



1+15
OUTLET HEADWALL

STA. 1+00 TO STA. 1+15



MIDDLEBURY

SCALE IN FEET

PROJECT NAME: MIDDLEBURY-STARKSBORO	PLOT DATE: 5/4/2017
PROJECT NUMBER: STP 2953(1)	DRAWN BY: S.SOLLA
FILE NAME: z14V227mm1.13chxs.dgn	CHECKED BY: C.LATHROP
DESIGNED BY: S.SOLLA	SHEET 136 OF 186
CHANNEL CROSS SECTION SHEET 1	