

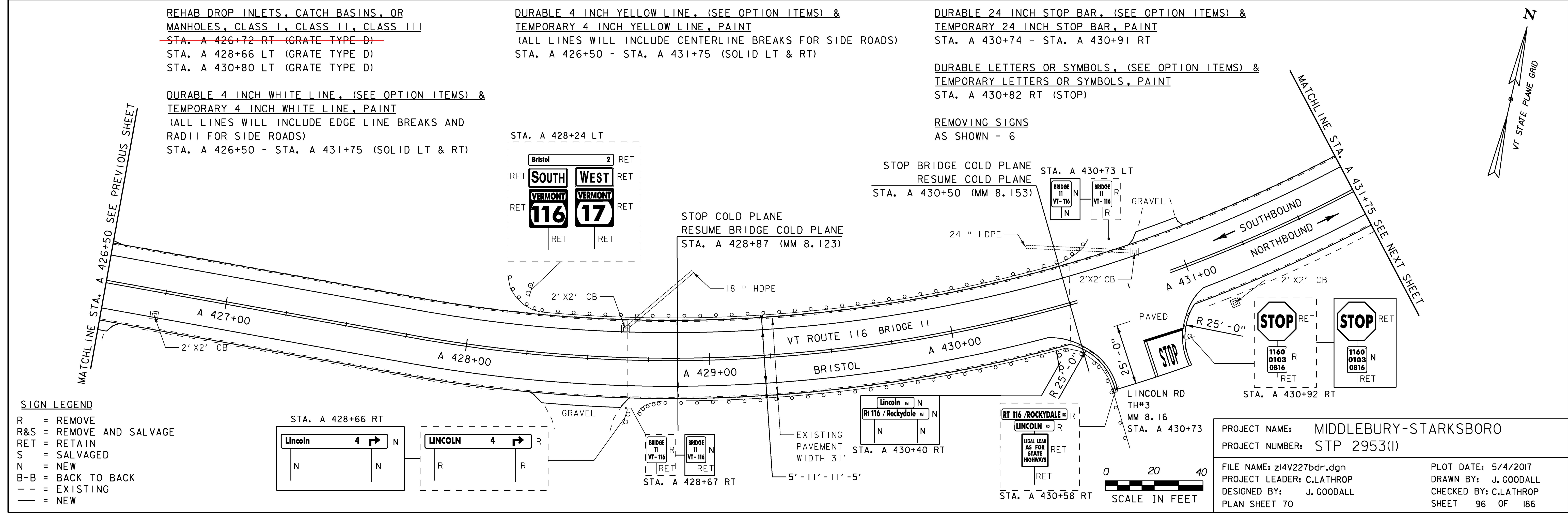
REHAB DROP INLETS, CATCH BASINS, OR MANHOLES, CLASS I, CLASS II, CLASS III

~~STA. A 421+25 RT (GRATE TYPE D)~~  
 STA. A 421+89 LT (GRATE TYPE D)  
 STA. A 423+24 RT (GRATE TYPE D)  
 STA. A 424+75 LT (GRATE TYPE D)  
 STA. A 424+85 RT (GRATE TYPE D)  
 A 426+48 LT

DURABLE 4 INCH WHITE LINE, (SEE OPTION ITEMS) & TEMPORARY 4 INCH WHITE LINE, PAINT  
 (ALL LINES WILL INCLUDE EDGE LINE BREAKS AND RADII FOR SIDE ROADS)  
 STA. A 420+75 - STA. A 426+50 (SOLID LT & RT)

DURABLE 4 INCH YELLOW LINE, (SEE OPTION ITEMS) & TEMPORARY 4 INCH YELLOW LINE, PAINT  
 (ALL LINES WILL INCLUDE CENTERLINE BREAKS FOR SIDE ROADS)  
 STA. A 420+75 - STA. A 426+50 (SOLID LT & RT)

REMOVING SIGNS AS SHOWN - 3



REHAB DROP INLETS, CATCH BASINS, OR MANHOLES, CLASS I, CLASS II, CLASS III

~~STA. A 426+72 RT (GRATE TYPE D)~~  
 STA. A 428+66 LT (GRATE TYPE D)  
 STA. A 430+80 LT (GRATE TYPE D)

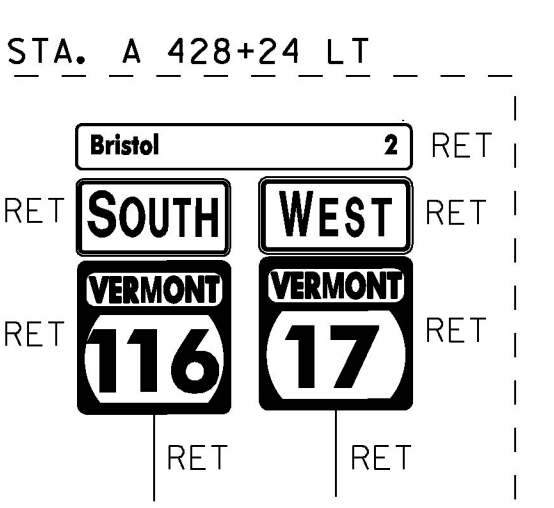
DURABLE 4 INCH YELLOW LINE, (SEE OPTION ITEMS) & TEMPORARY 4 INCH YELLOW LINE, PAINT  
 (ALL LINES WILL INCLUDE CENTERLINE BREAKS FOR SIDE ROADS)  
 STA. A 426+50 - STA. A 431+75 (SOLID LT & RT)

DURABLE 24 INCH STOP BAR, (SEE OPTION ITEMS) & TEMPORARY 24 INCH STOP BAR, PAINT  
 STA. A 430+74 - STA. A 430+91 RT

DURABLE LETTERS OR SYMBOLS, (SEE OPTION ITEMS) & TEMPORARY LETTERS OR SYMBOLS, PAINT  
 STA. A 430+82 RT (STOP)

REMOVING SIGNS AS SHOWN - 6

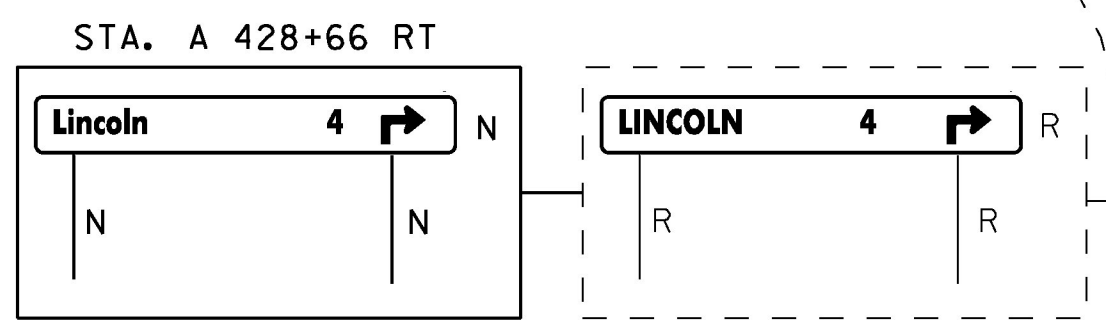
DURABLE 4 INCH WHITE LINE, (SEE OPTION ITEMS) & TEMPORARY 4 INCH WHITE LINE, PAINT  
 (ALL LINES WILL INCLUDE EDGE LINE BREAKS AND RADII FOR SIDE ROADS)  
 STA. A 426+50 - STA. A 431+75 (SOLID LT & RT)



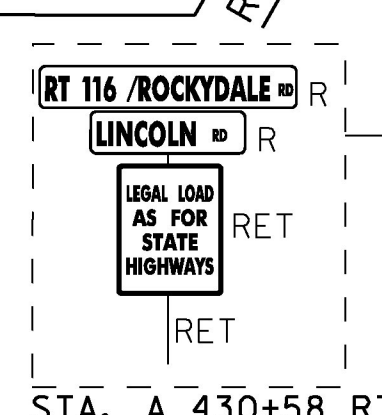
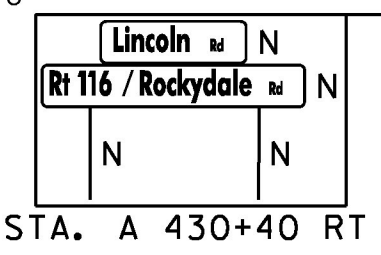
STOP COLD PLANE  
 RESUME BRIDGE COLD PLANE  
 STA. A 428+87 (MM 8.123)

STOP BRIDGE COLD PLANE  
 RESUME COLD PLANE  
 STA. A 430+50 (MM 8.153)

**SIGN LEGEND**  
 R = REMOVE  
 R&S = REMOVE AND SALVAGE  
 RET = RETAIN  
 S = SALVAGED  
 N = NEW  
 B-B = BACK TO BACK  
 - - = EXISTING  
 — = NEW



BRIDGE 11  
 VT-116  
 STA. A 428+67 RT



PROJECT NAME: MIDDLEBURY-STARKSBORO  
 PROJECT NUMBER: STP 2953(1)

FILE NAME: z14V227bdr.dgn  
 PROJECT LEADER: C.LATHROP  
 DESIGNED BY: J. GOODALL  
 PLAN SHEET 70

PLOT DATE: 5/4/2017  
 DRAWN BY: J. GOODALL  
 CHECKED BY: C.LATHROP  
 SHEET 96 OF 186

