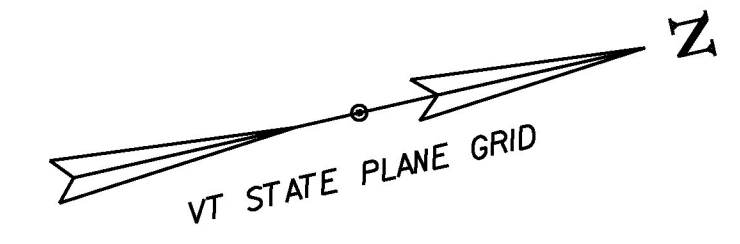


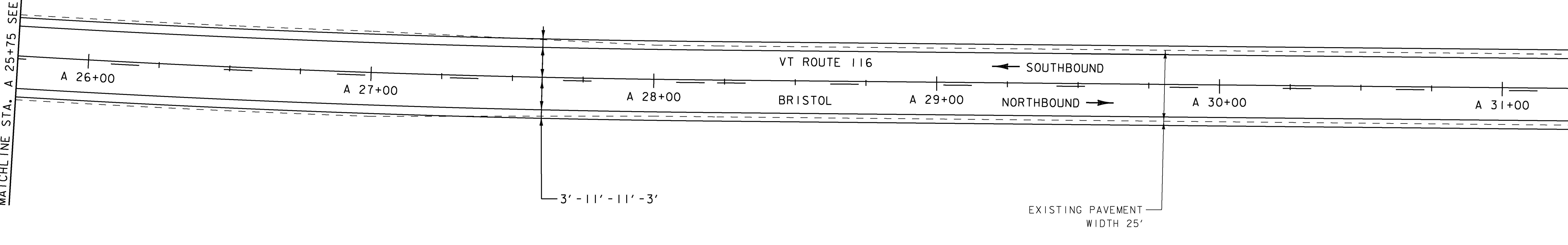
MILLED RUMBLE STRIPS
STA. A 25+75 - STA. A 31+25 CTR

DURABLE 4 INCH WHITE LINE, (SEE OPTION ITEMS) &
TEMPORARY 4 INCH WHITE LINE, PAINT
(ALL LINES WILL INCLUDE EDGE LINE BREAKS AND
RADI I FOR SIDE ROADS)
STA. A 25+75 - STA. A 31+25 (SOLID LT & RT)

DURABLE 4 INCH YELLOW LINE, (SEE OPTION ITEMS) &
TEMPORARY 4 INCH YELLOW LINE, PAINT
(ALL LINES WILL INCLUDE CENTERLINE BREAKS FOR SIDE ROADS)
STA. A 25+75 - STA. A 31+25 (SOLID LT, DASHED RT)



MATCHLINE STA. A 25+75 SEE PREVIOUS SHEET



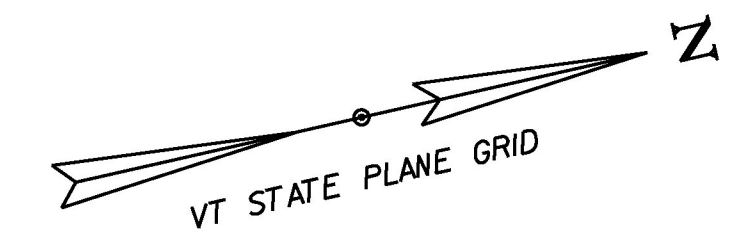
MATCHLINE STA. A 31+25 SEE NEXT SHEET

MILLED RUMBLE STRIPS
STA. A 31+25 - STA. A 34+75

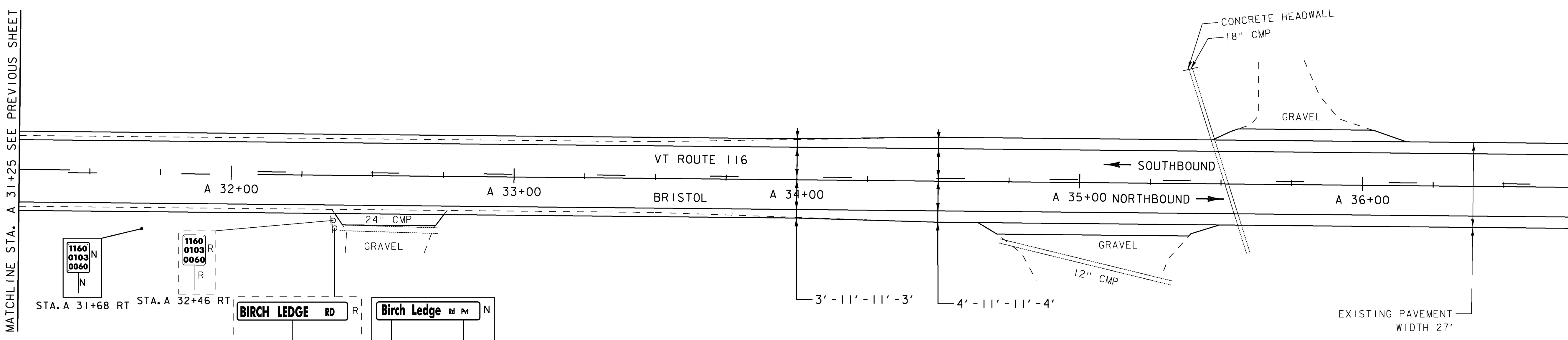
DURABLE 4 INCH WHITE LINE, (SEE OPTION ITEMS) &
TEMPORARY 4 INCH WHITE LINE, PAINT
(ALL LINES WILL INCLUDE EDGE LINE BREAKS AND
RADI I FOR SIDE ROADS)
STA. A 31+25 - STA. A 36+75 (SOLID LT & RT)

DURABLE 4 INCH YELLOW LINE, (SEE OPTION ITEMS) &
TEMPORARY 4 INCH YELLOW LINE, PAINT
(ALL LINES WILL INCLUDE CENTERLINE BREAKS FOR SIDE ROADS)
STA. A 31+25 - STA. A 31+43 (SOLID LT, DASHED RT)
STA. A 31+43 - STA. A 32+09 (DASHED CTR)
STA. A 32+09 - STA. A 36+75 (DASHED LT, SOLID RT)

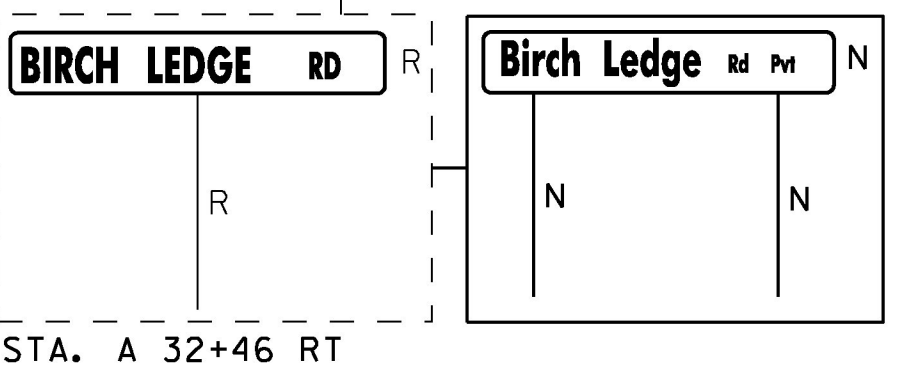
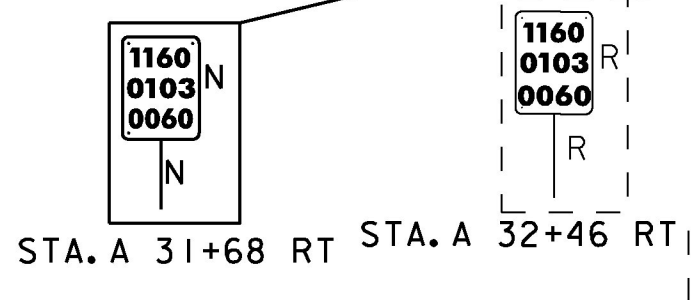
REMOVING SIGNS
AS SHOWN - 2



MATCHLINE STA. A 31+25 SEE PREVIOUS SHEET



MATCHLINE STA. A 36+75 SEE NEXT SHEET



SIGN LEGEND
R = REMOVE
R&S = REMOVE AND SALVAGE
RET = RETAIN
S = SALVAGED
N = NEW
B-B = BACK TO BACK
- - = EXISTING
— = NEW



PROJECT NAME: MIDDLEBURY-STARKSBORO	PLOT DATE: 5/4/2017
PROJECT NUMBER: STP 2953(I)	DRAWN BY: J. GOODALL
FILE NAME: z14V227bdr.dgn	CHECKED BY: C.LATHROP
PROJECT LEADER: C.LATHROP	SHEET 65 OF 186
DESIGNED BY: J. GOODALL	PLAN SHEET 39