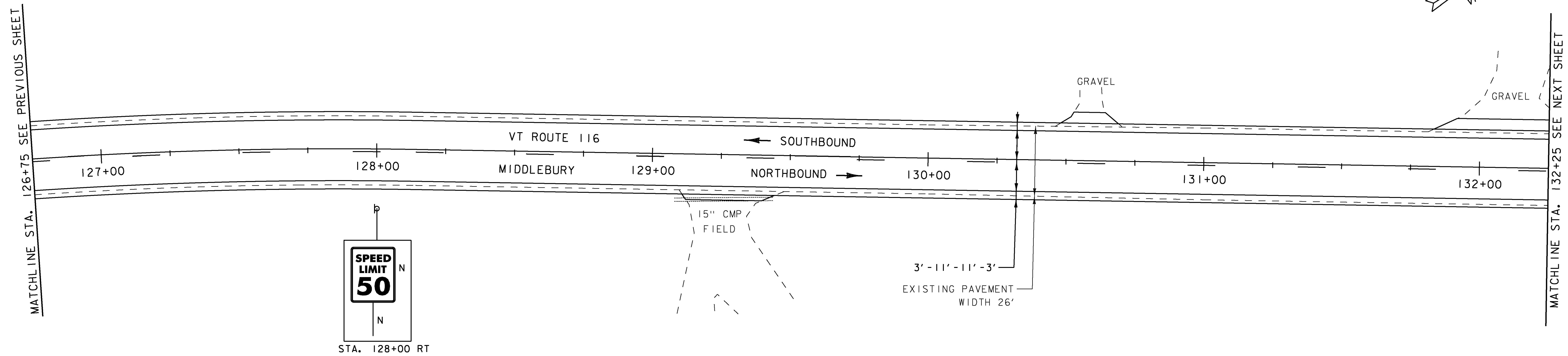
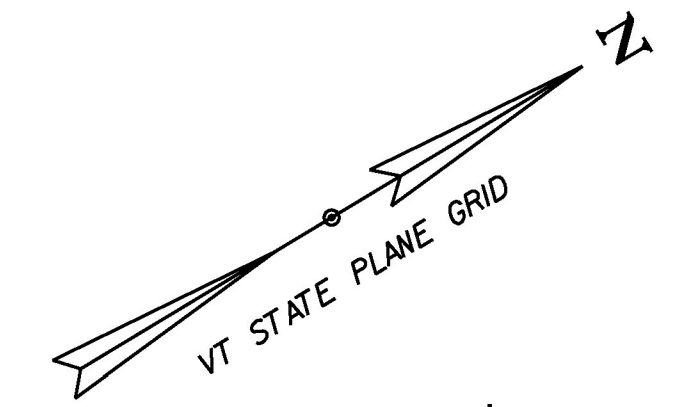


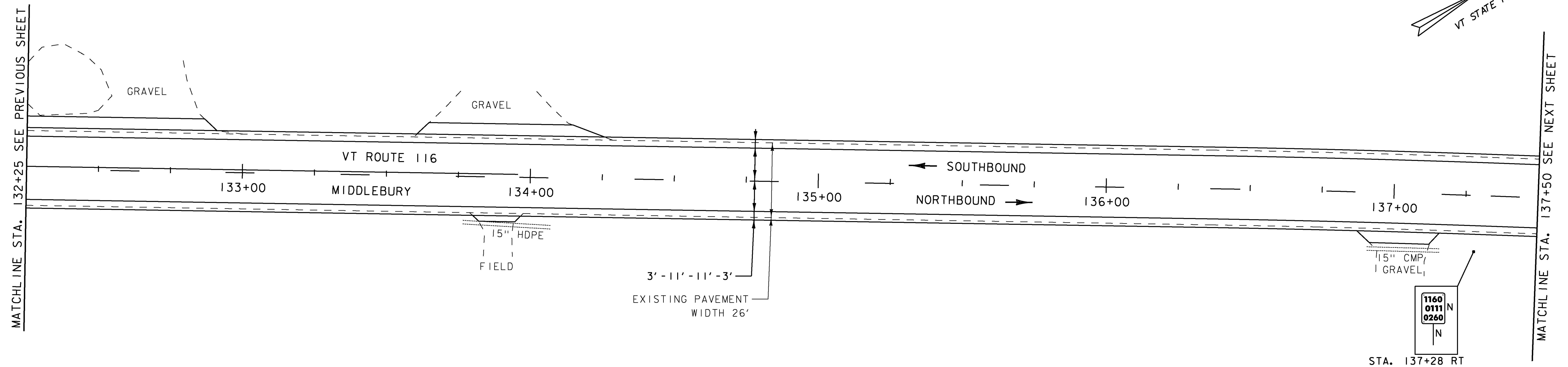
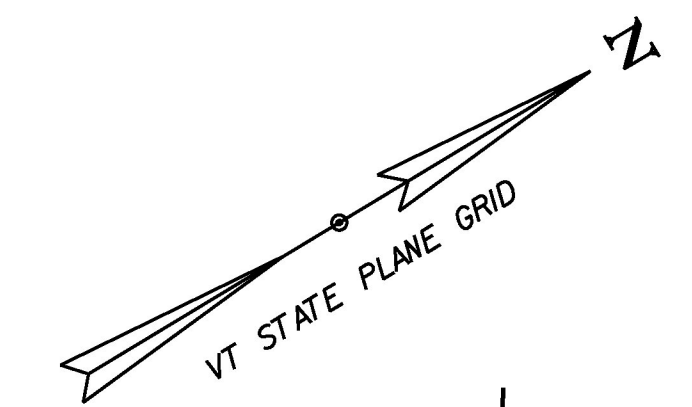
DURABLE 4 INCH WHITE LINE, (SEE OPTION ITEMS) &
 TEMPORARY 4 INCH WHITE LINE, PAINT
 (ALL LINES WILL INCLUDE EDGE LINE BREAKS AND
 RADII FOR SIDE ROADS)
 STA. 126+75 - STA. 132+25 (SOLID LT & RT)

DURABLE 4 INCH YELLOW LINE, (SEE OPTION ITEMS) &
 TEMPORARY 4 INCH YELLOW LINE, PAINT
 (ALL LINES WILL INCLUDE CENTERLINE BREAKS FOR SIDE ROADS)
 STA. 126+75 - STA. 132+25 (SOLID LT, DASHED RT)

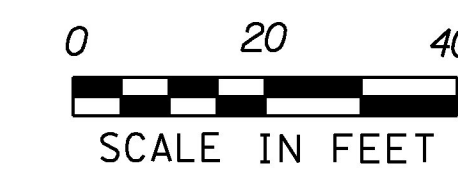


DURABLE 4 INCH WHITE LINE, (SEE OPTION ITEMS) &
 TEMPORARY 4 INCH WHITE LINE, PAINT
 (ALL LINES WILL INCLUDE EDGE LINE BREAKS AND
 RADII FOR SIDE ROADS)
 STA. 132+25 - STA. 137+50 (SOLID LT & RT)

DURABLE 4 INCH YELLOW LINE, (SEE OPTION ITEMS) &
 TEMPORARY 4 INCH YELLOW LINE, PAINT
 (ALL LINES WILL INCLUDE CENTERLINE BREAKS FOR SIDE ROADS)
 STA. 132+25 - STA. 133+96 (SOLID LT, DASHED RT)
 STA. 133+96 - STA. 137+50 (DASHED CTR)



SIGN LEGEND
 R = REMOVE
 R&S = REMOVE AND SALVAGE
 RET = RETAIN
 S = SALVAGED
 N = NEW
 B-B = BACK TO BACK
 - - = EXISTING
 — = NEW



PROJECT NAME:	MIDDLEBURY-STARKSBORO	PLOT DATE:	5/4/2017
PROJECT NUMBER:	STP 2953(1)	DRAWN BY:	J. GOODALL
FILE NAME:	z14V227bdr.dgn	CHECKED BY:	C.LATHROP
DESIGNED BY:	J. GOODALL	PLAN SHEET 15	SHEET 41 OF 186