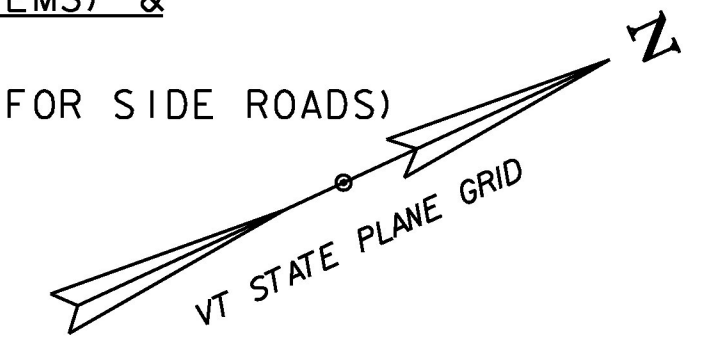


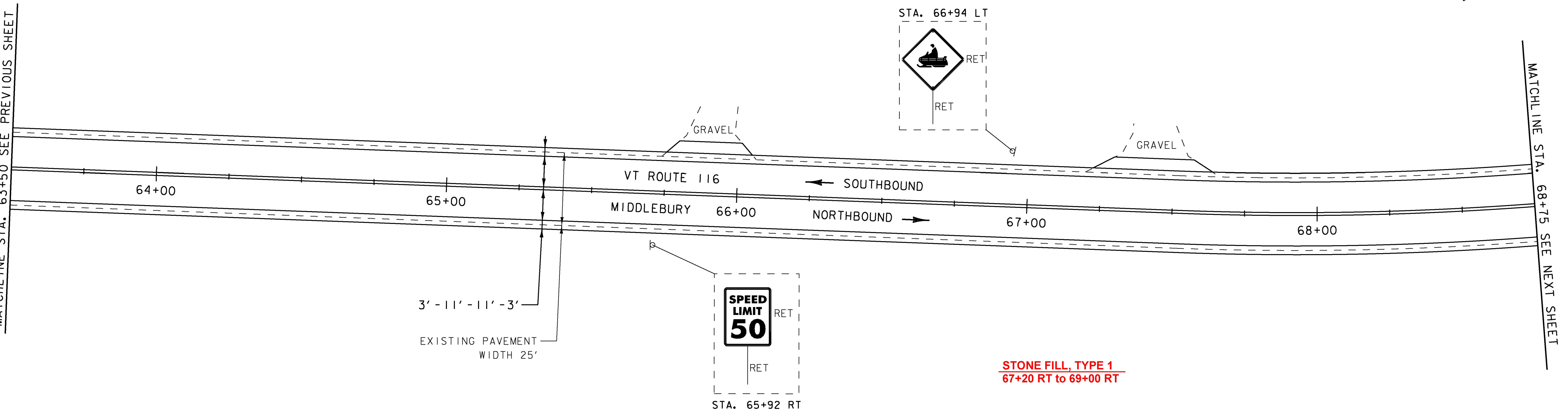
MILLED RUMBLE STRIPS
STA. 63+50 - STA. 65+50 CTR

DURABLE 4 INCH WHITE LINE, (SEE OPTION ITEMS) &
TEMPORARY 4 INCH WHITE LINE, PAINT
(ALL LINES WILL INCLUDE EDGE LINE BREAKS AND
RADI FOR SIDE ROADS)
STA. 63+50 - STA. 68+75 (SOLID LT & RT)

DURABLE 4 INCH YELLOW LINE, (SEE OPTION ITEMS) &
TEMPORARY 4 INCH YELLOW LINE, PAINT
(ALL LINES WILL INCLUDE CENTERLINE BREAKS FOR SIDE ROADS)
STA. 63+50 - STA. 68+75 (SOLID LT & RT)



MATCHLINE STA. 63+50 SEE PREVIOUS SHEET

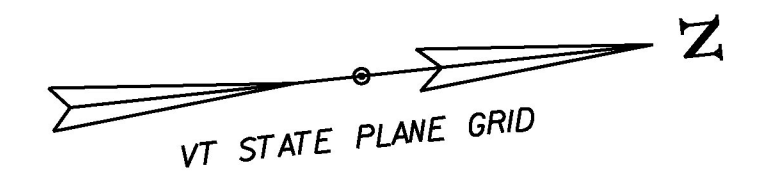


MILLED RUMBLE STRIPS
STA. 73+25 - STA. 74+25 CTR

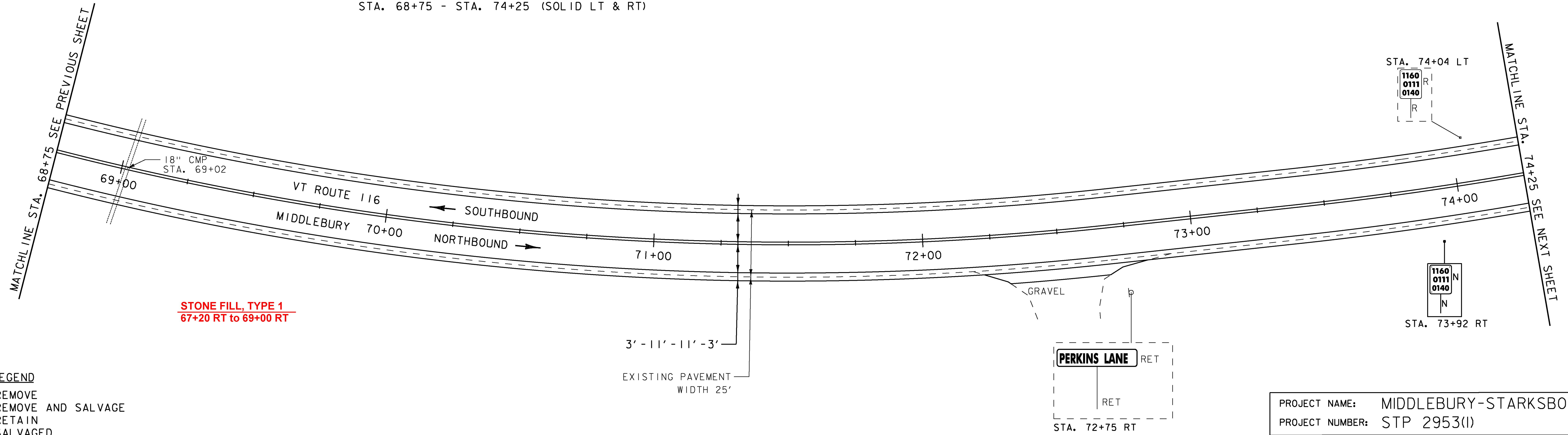
DURABLE 4 INCH WHITE LINE, (SEE OPTION ITEMS) &
TEMPORARY 4 INCH WHITE LINE, PAINT
(ALL LINES WILL INCLUDE EDGE LINE BREAKS AND
RADI FOR SIDE ROADS)
STA. 68+75 - STA. 74+25 (SOLID LT & RT)

DURABLE 4 INCH YELLOW LINE, (SEE OPTION ITEMS) &
TEMPORARY 4 INCH YELLOW LINE, PAINT
(ALL LINES WILL INCLUDE CENTERLINE BREAKS FOR SIDE ROADS)
STA. 68+75 - STA. 74+25 (SOLID LT & RT)

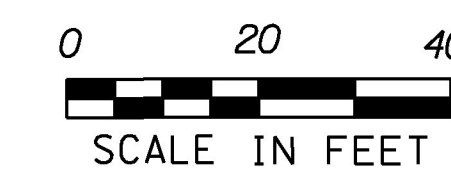
REMOVING SIGNS
AS SHOWN - I



MATCHLINE STA. 68+75 SEE PREVIOUS SHEET



SIGN LEGEND
R = REMOVE
R&S = REMOVE AND SALVAGE
RET = RETAIN
S = SALVAGED
N = NEW
B-B = BACK TO BACK
- - = EXISTING
— = NEW



PROJECT NAME:	MIDDLEBURY-STARKSBORO	FILE NAME:	z14V227bdr.dgn	PLOT DATE:	5/4/2017
PROJECT NUMBER:	STP 2953(I)	DESIGNED BY:	J. GOODALL	DRAWN BY:	J. GOODALL
		DESIGNED BY:	J. GOODALL	CHECKED BY:	C.LATHROP
					SHEET 35 OF 186