

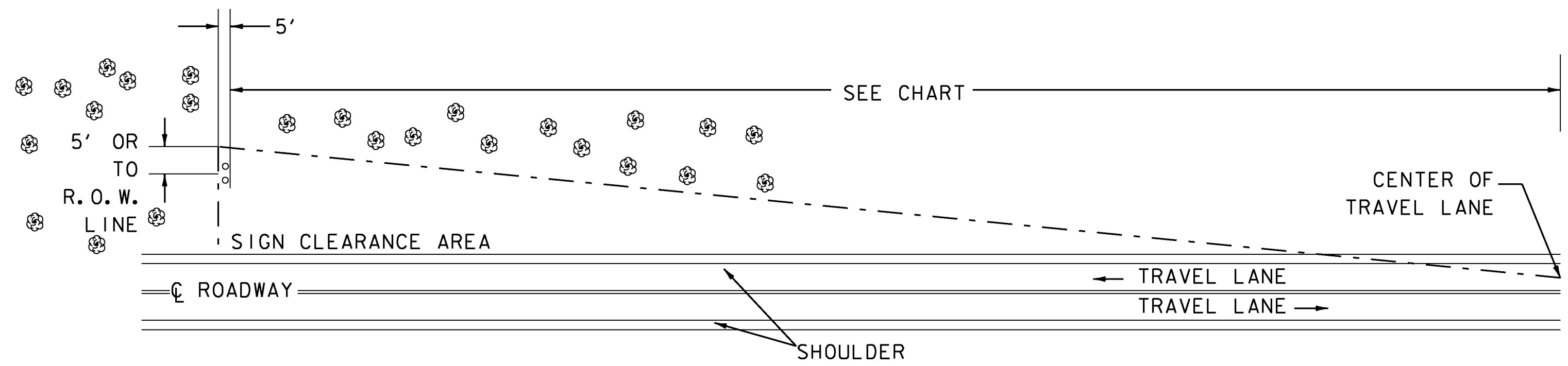
TREATED TIMBER CURB REMOVAL

MIDDLEBURY
 STA. 261+05 LT - STA. 262+32 LT
 BRISTOL
 STA. A 178+50 RT - STA. A 180+70 RT
 STA. A 310+10 LT - STA. A 314+70 RT

NOTE:

THE REMOVAL OF TREATED TIMBER CURBING, INCLUDING THE BITUMINOUS CONCRETE FILLET, AND ANY SAWCUTTING, FROM INSTALLATIONS WHERE EXISTING GUARDRAIL IS REMOVED WILL NOT BE PAID FOR DIRECTLY, BUT WILL BE CONSIDERED INCIDENTAL TO ITEM 621.80 "REMOVAL AND DISPOSAL OF GUARDRAIL".

**C.O. #2
 REMOVED AND INSTALLED
 BITUMINOUS CURB**



THINNING AND TRIMMING FOR SIGNS DETAIL

THE CONTRACTOR SHALL REMOVE ALL WOODY STEMMED GROWTH INCLUDING BRUSH, SAPLINGS AND TREE LIMBS GROWING WITHIN OR PROJECTING INTO THE CLEARANCE AREA AND DOWN TO GROUND LEVEL OR AT LEAST 10 FT BELOW THE BOTTOM OF THE SIGN. PAYMENT WILL BE UNDER 201.31 "THINNING AND TRIMMING FOR SIGNS" AND PAID FOR PER EACH. NO CHEMICALS (POISONS OR DEFOLIANTS) ALLOWED.

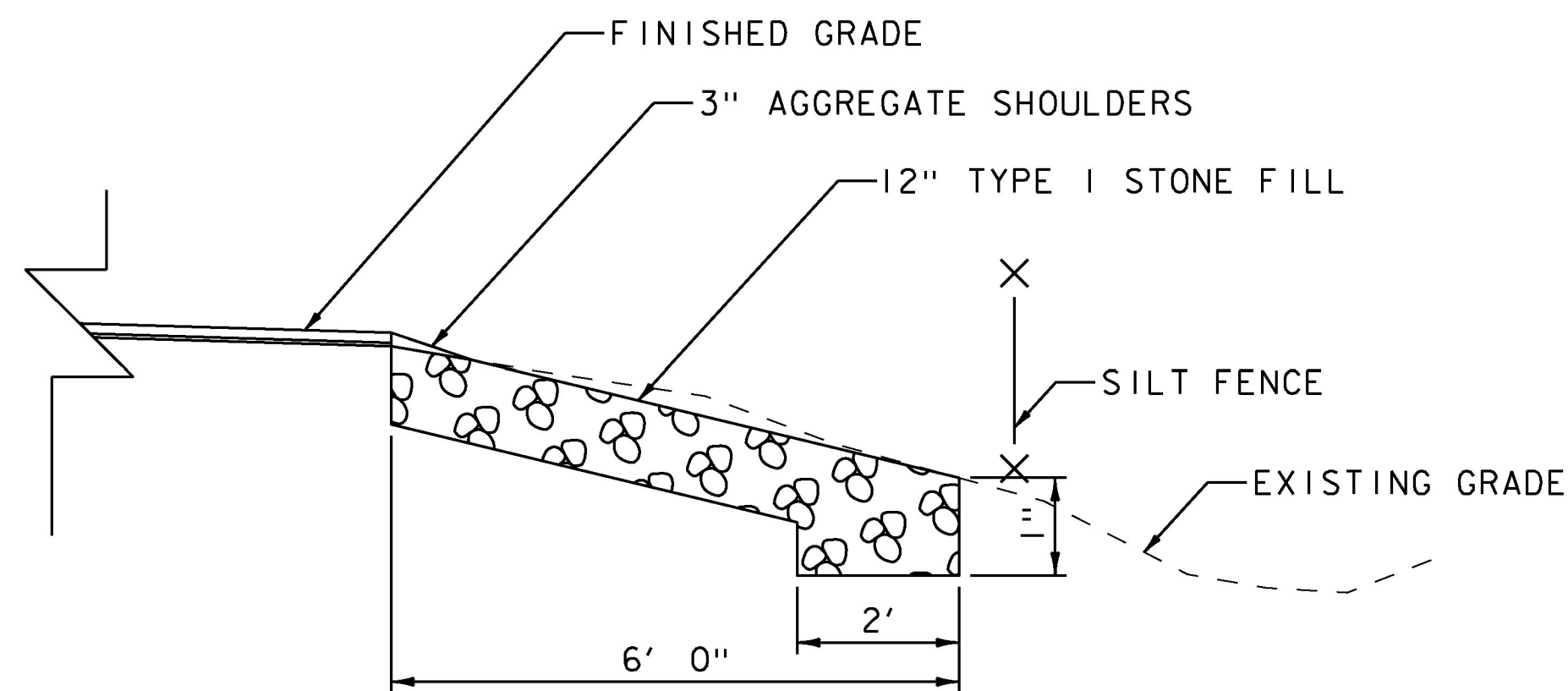
MIDDLEBURY
 STA. 2+35 LT
 STA. 4+19 LT
 STA. 507+45 LT
 (OSSIE RD)
 STA. 78+89 LT
 STA. 165+87 RT
 STA. 181+85 RT
 STA. 233+22 LT
 STA. 236+51 LT
 STA. 240+35 LT
 STA. 269+52 LT
 STA. 271+51 LT

BRISTOL
 STA. A 4+74 LT
 STA. A 268+87 LT
 STA. A 304+59 RT
 STA. A 317+15 RT
 STA. A 387+82 LT
 STA. A 404+50 LT
 STA. A 411+67 RT

STARKSBORO
 STA. B 77+80 RT

MINIMUM SIGN SIGHT DISTANCE CHART

APPROACH SPEED (mph)	SIGHT DISTANCE (feet)
30 OR LESS	300
35	350
40	400
45	450
50	500
55	550

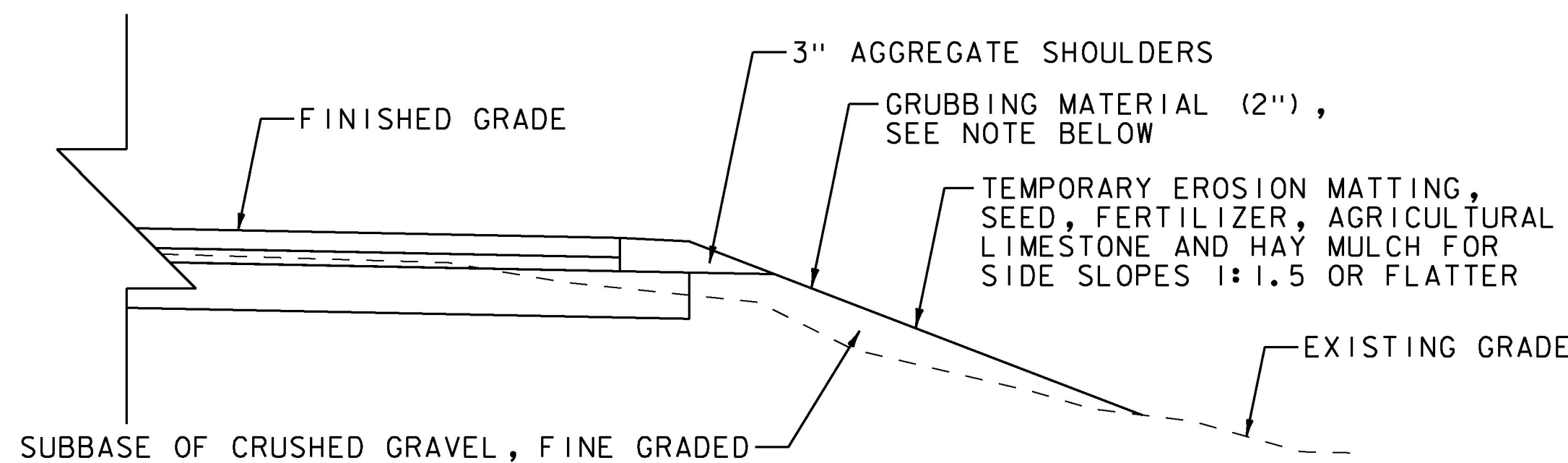


STONE FILL DETAIL

MIDDLEBURY
 STA. 261+00 LT - STA. 262+50 LT
 BRISTOL
 STA. A 178+25 RT - STA. A 181+00 RT
 STA. A 304+75 LT - STA. A 314+25 LT

NOTES:

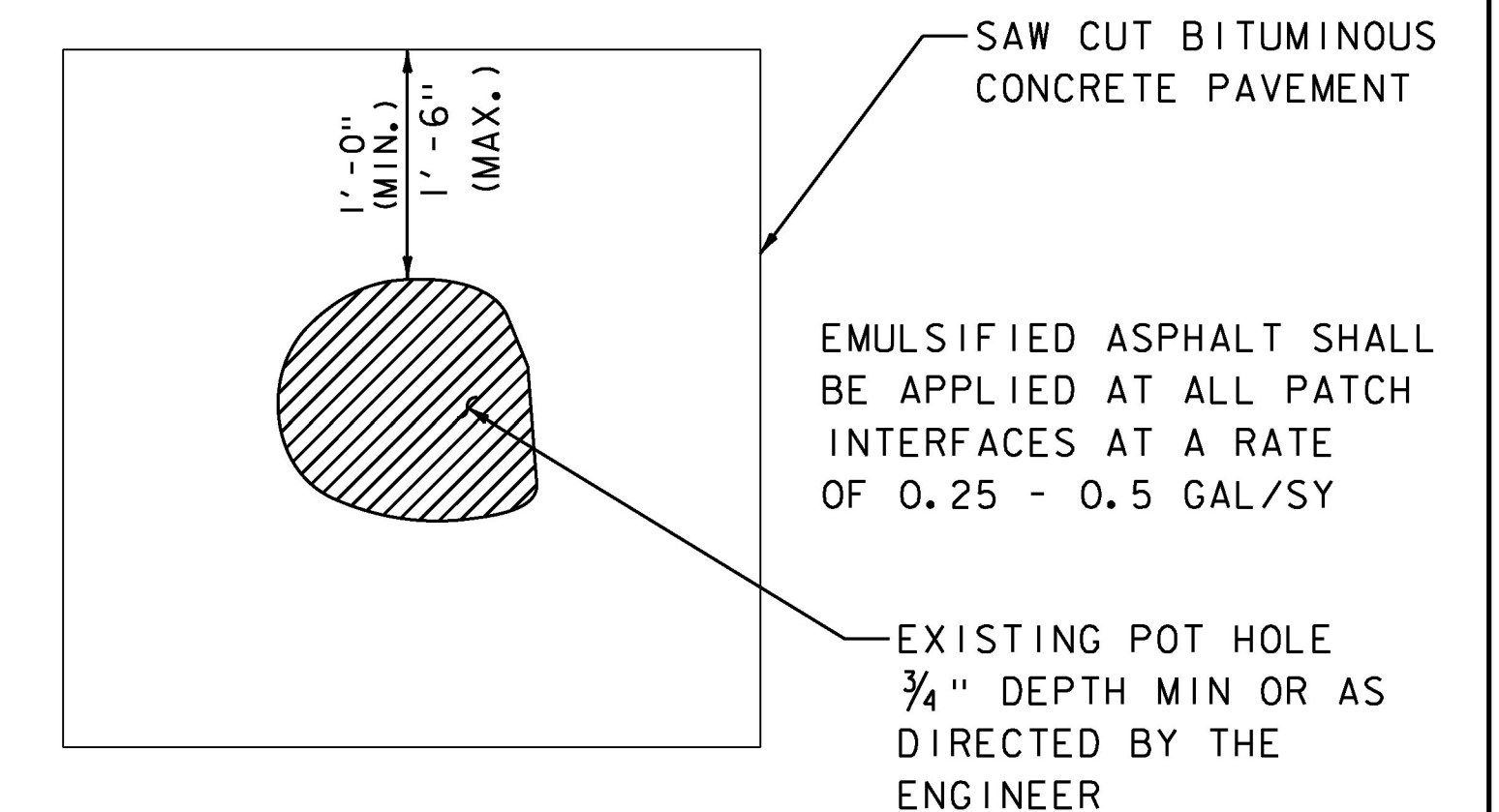
- STONE FILL TO BE PLACED IN ALL AREAS OF TIMBER CURB REMOVAL AND AS SHOWN ON THE PLANS.
- ANY EXCAVATION REQUIRED TO INSTALL STONE SHALL BE PAID FOR UNDER ITEM 608.25 "ALL PURPOSE EXCAVATOR RENTAL, TYPE 1".



FILL SLOPE DETAIL

NOTE: (FOR SLOPES 1:1.5 OR FLATTER)

IF DUE TO GROWING SEASON TIME CONSTRAINTS IT IS DEEMED NECESSARY BY THE CONSTRUCTION ENVIRONMENTAL ENGINEER THAT A MORE RAPID VEGETATION ESTABLISHMENT IS REQUIRED, PLACEMENT OF TWO INCHES OF GRUBBING MATERIAL SHALL BE PLACED ON THE SLOPE PRIOR TO PLACEMENT OF SEED, FERTILIZER, TEMPORARY EROSION MATTING, AND AGRICULTURAL LIMESTONE. PLACEMENT OF THE GRUBBING MATERIAL WILL BE PAID FOR AT THE CONTRACT UNIT PRICE PER SQUARE YARD OF ITEM 651.40 "GRUBBING MATERIAL (2)".



TYPICAL - POT HOLE REPAIR

NOTE:

POT HOLE REPAIR PAID UNDER ITEM 900.680 SPECIAL PROVISION (BITUMINOUS CONCRETE PAVEMENT SURFACE PREPARATION, TYPE 1)

NOT TO SCALE

PROJECT NAME: MIDDLEBURY-STARKSBORO	PLOT DATE: 5/4/2017
PROJECT NUMBER: STP 2953(I)	DRAWN BY: J. GOODALL
FILE NAME: z14V227typ.dgn	CHECKED BY: C.LATHROP
PROJECT LEADER: C.LATHROP	SHEET 8 OF 186
DESIGNED BY: J. GOODALL	
DETAIL SHEET 1	