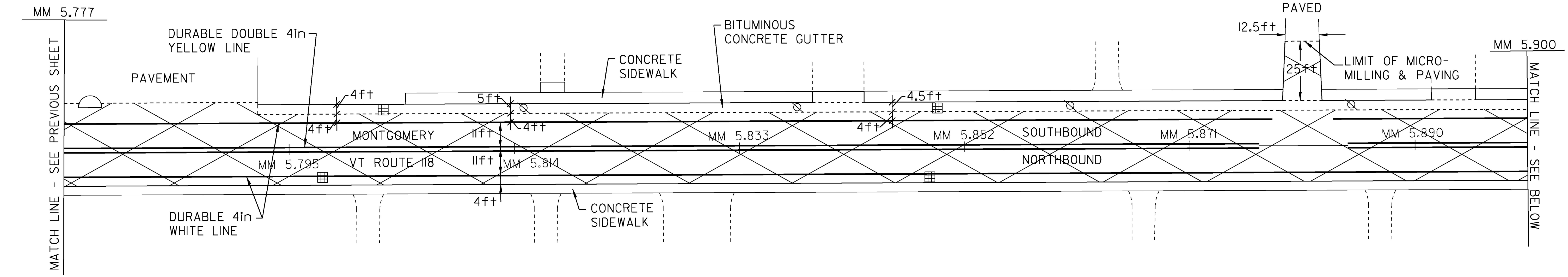
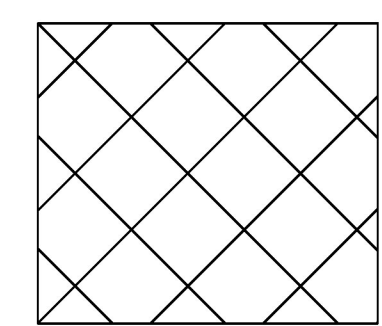
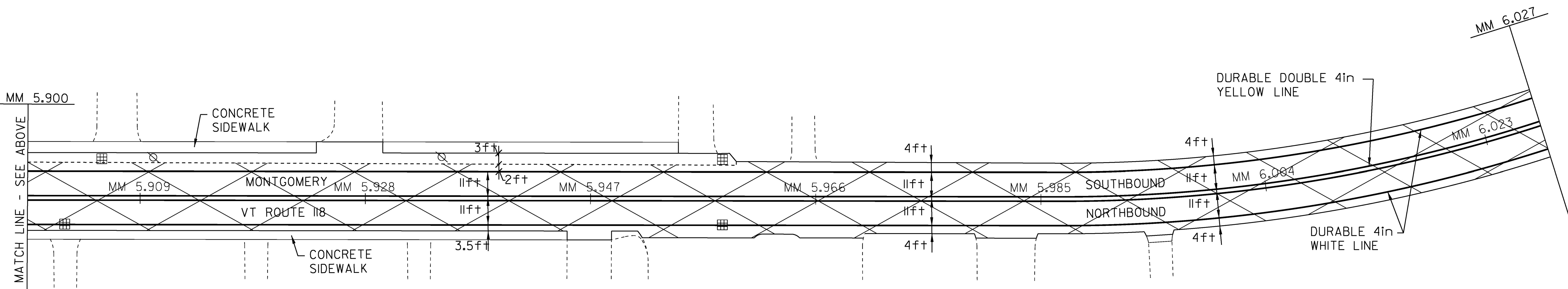


TH #51  
RIVER ST  
MM 5.882  
PAVED



TO  
BELVIDERE

CHANGING ELEVATION OF DI, CB OR MH  
 MM 5.798 RT (DI)  
 MM 5.849 RT (DI)  
 MM 5.903 RT (DI)  
 MM 5.958 RT (DI)



MICRO-MILL AREA

**NOT TO SCALE**

PROJECT NAME: BELVIDERE - BERKSHIRE	
PROJECT NUMBER: STP SURF(53)	
FILE NAME: I4v204\pi4v204.dgn\pi4v204_33.1	PLOT DATE: 04-NOV-2015
PROJECT LEADER: M. FOWLER	DRAWN BY: K. LOCKE
DESIGNED BY: K. LOCKE	CHECKED BY: M. FOWLER
SPECIAL MICRO-MILLING DETAILS SHEET 2	SHEET 33 OF 45