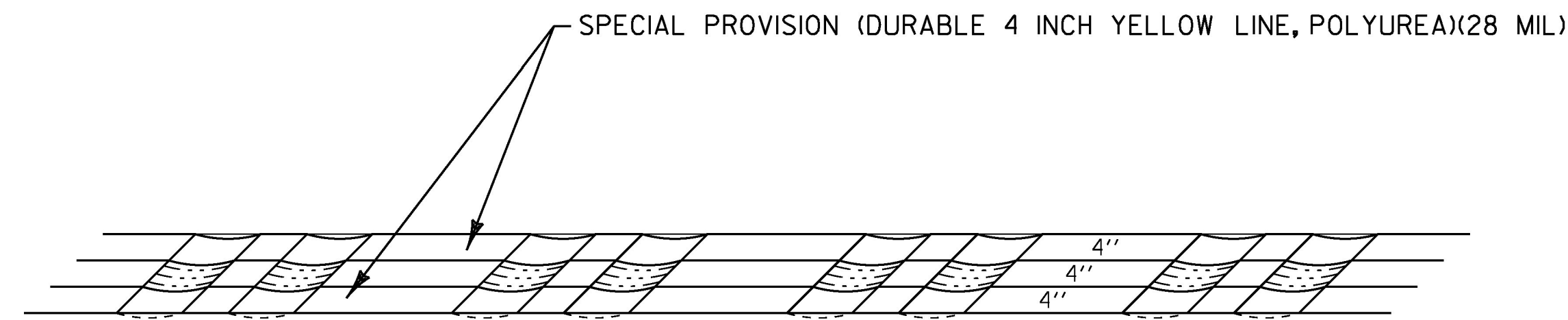
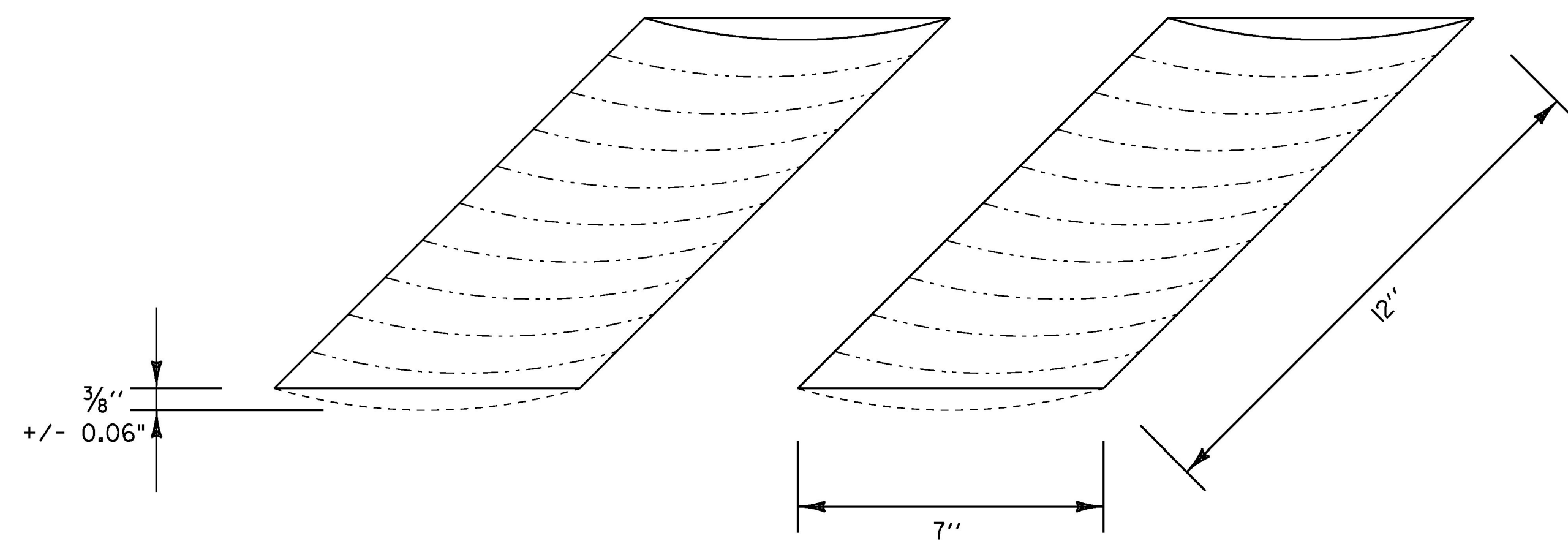


RUMBLE STRIP LAYOUT



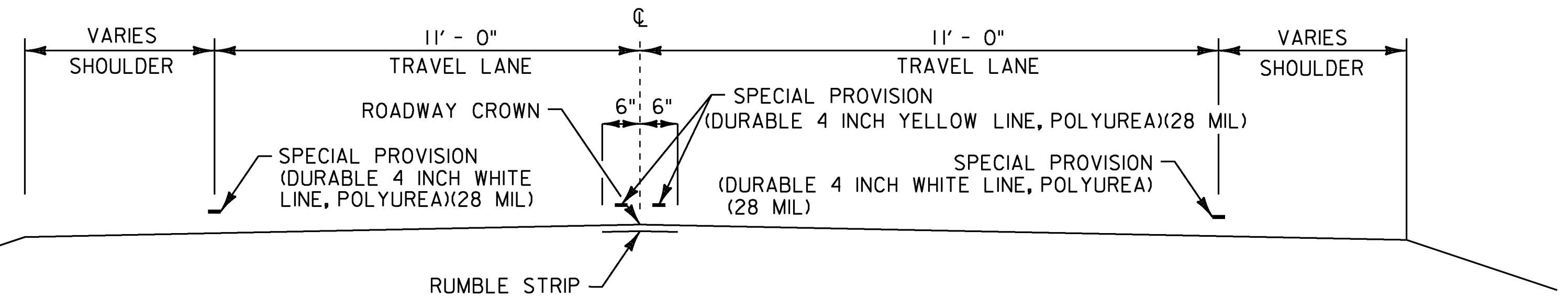
PAVEMENT MARKINGS DETAIL



RUMBLE STRIP DETAIL

RUMBLE STRIP NOTES

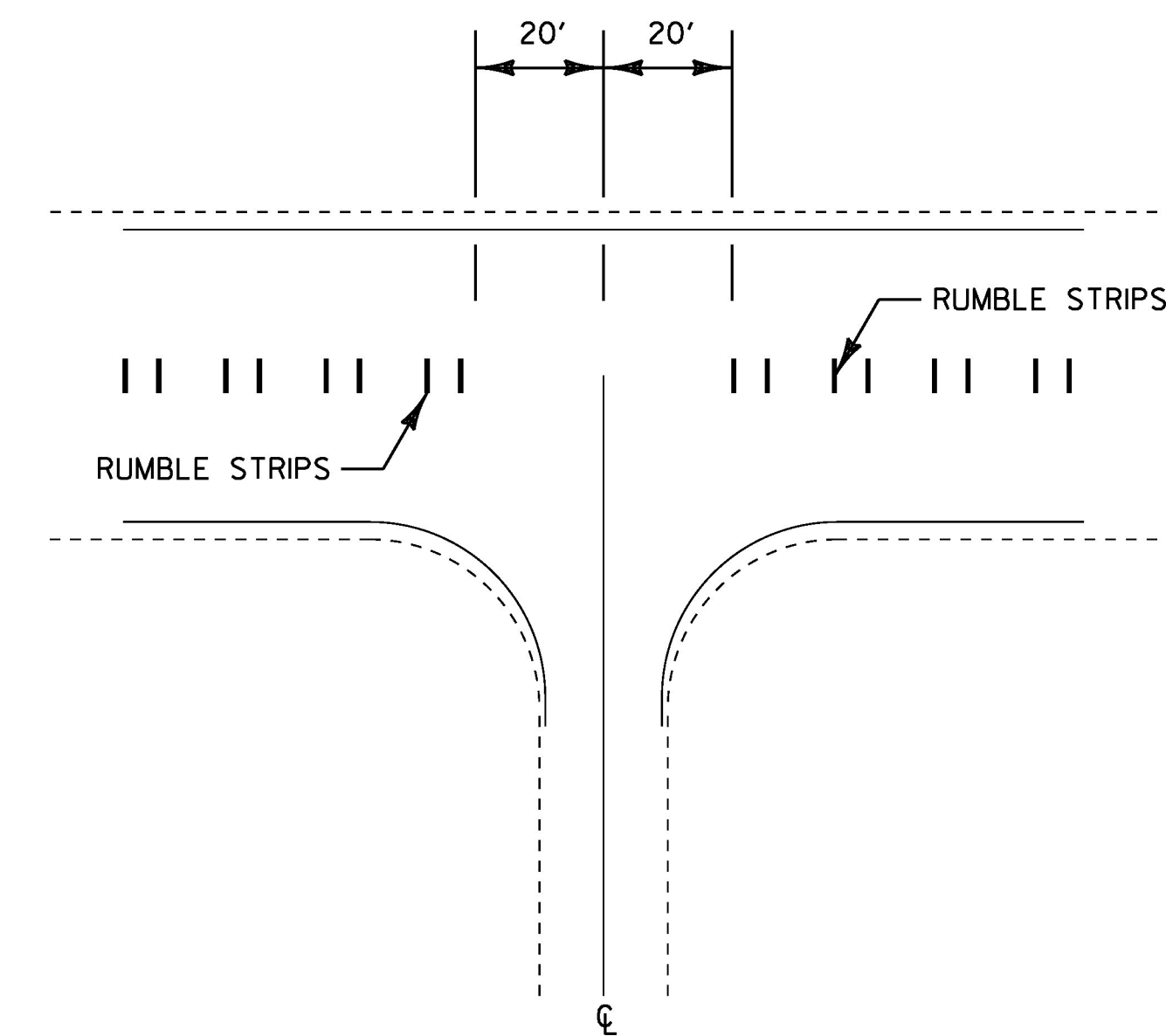
1. CENTERLINE RUMBLE STRIPS SHALL NOT EXTEND BEYOND CENTERLINE WHEN CENTERLINE IS A DOUBLE YELLOW LINE, WITH OR WITHOUT A PASSING ZONE.
2. CENTERLINE RUMBLE STRIPS SHALL BE PLACED ALONG CENTERLINE OF ROADWAY.
3. CENTERLINE RUMBLE STRIPS SHALL STOP 20 FEET PRIOR TO THE CENTERLINE OF AN INTERSECTION.
4. TWO APPLICATIONS OF SPECIAL PROVISION (FOG SEAL SURFACE TREATMENT) SHALL BE APPLIED TO THE COMPLETED CENTERLINE RUMBLE STRIP AT THE RATE OF 0.15 GAL/SY (+/- 0.05 GAL/SY), OR AS DIRECTED BY THE ENGINEER.



MILLED RUMBLE STRIPS TYPICAL SECTION

LOCATION

| | |
|--------------------|-----------------------|
| JOHNSON VT 100C: | MM 1.508 - MM 1.634 |
| | MM 1.805 - MM 2.028 |
| | MM 2.098 - MM 2.259 |
| | MM 2.461 - MM 2.625 |
| | MM 2.677 - MM 2.861 |
| | MM 3.244 - MM 3.410 |
| | MM 3.456 - MM 3.581 |
| MONTGOMERY VT 118: | MM 8.420 - MM 8.773 |
| | MM 8.819 - MM 9.166 |
| | MM 9.226 - MM 9.441 |
| | MM 9.636 - MM 10.147 |
| | MM 10.207 - MM 10.464 |
| ENOSBURG VT 118: | MM 0.000 - MM 0.158 |
| | MM 0.266 - MM 0.532 |
| | MM 0.582 - MM 0.750 |
| BERKSHIRE VT 118: | MM 0.000 - MM 0.026 |
| | MM 0.281 - MM 0.385 |
| | MM 0.434 - MM 0.829 |



INTERSECTION DETAIL

NOT TO SCALE

| | |
|--|------------------------|
| PROJECT NAME: JOHNSON - HYDE PARK, BELVIDERE - BERKSHIRE | |
| PROJECT NUMBER: STP SURF(52), STP SURF(53) | |
| FILE NAME: 4v204\pi4v204.dgn\pi4v204.08A.i | PLOT DATE: 04-NOV-2015 |
| PROJECT LEADER: M. FOWLER | DRAWN BY: K. LOCKE |
| DESIGNED BY: K. LOCKE | CHECKED BY: M. FOWLER |
| CENTERLINE RUMBLE STRIP DETAIL SHEET | SHEET 8A OF 45 |