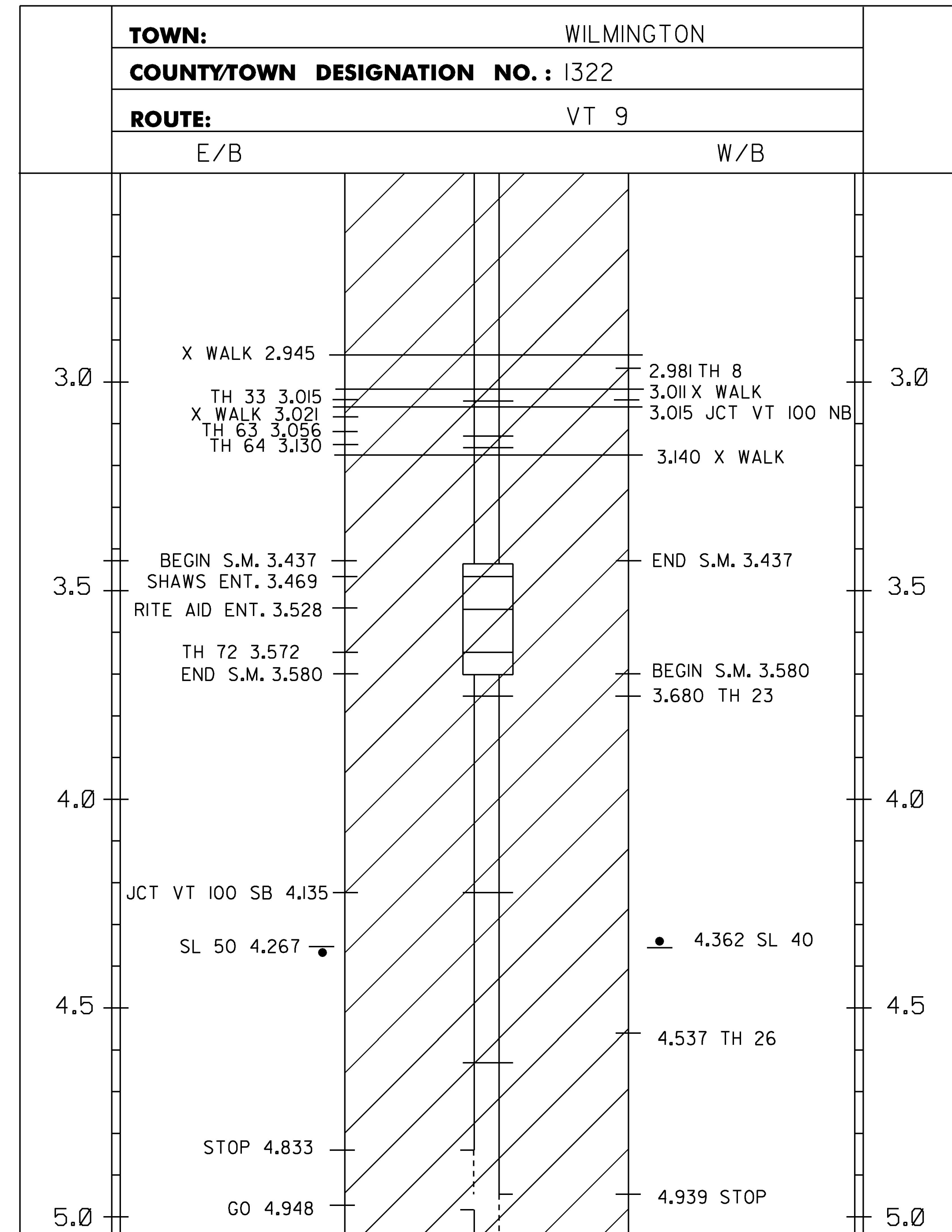


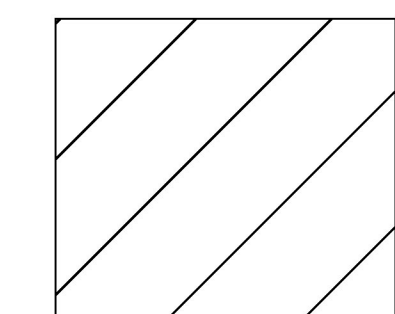
DURABLE 4 INCH WHITE LINE (OPTION BID ITEM)  
 (ALL LINES WILL INCLUDE EDGE LINE BREAKS AND  
 RADIUS FOR TOWN HIGHWAYS)  
 MM 0.000 - MM 5.000 LT & RT

DURABLE 4 INCH YELLOW LINE (OPTION BID ITEM)  
 (ALL LINES WILL INCLUDE C/L BREAKS FOR  
 TOWN HIGHWAYS)

MM 0.000 - MM 0.140 DASHED LT & SOLID RT  
 MM 0.140 - MM 0.530 SOLID LT & RT  
 MM 0.530 - MM 0.665 SOLID LT & DASHED RT  
 MM 0.665 - MM 0.675 SOLID LT & RT  
 MM 0.675 - MM 0.800 DASHED LT & SOLID RT  
 MM 0.800 - MM 1.225 SOLID LT & RT  
 MM 1.225 - MM 1.360 DASHED LT & SOLID RT  
 MM 1.360 - MM 1.435 SOLID LT & RT  
 MM 1.435 - MM 1.565 SOLID LT & DASHED RT  
 MM 1.565 - MM 1.720 DASHED LT & SOLID RT  
 MM 1.720 - MM 4.833 SOLID LT & RT  
 MM 4.833 - MM 4.939 SOLID LT & DASHED RT  
 MM 4.939 - MM 4.948 DASHED LT  
 MM 4.948 - MM 5.000 DASHED LT & SOLID RT



**LEGEND**  
 TWBH-THROUGHWAY BEGINS HERE  
 TWEH-THROUGHWAY ENDS HERE  
 SHB-STATE HIGHWAY BEGINS  
 SHE-STATE HIGHWAY ENDS  
 SL-SPEED LIMIT  
 T/L-TOWN LINE  
 SM-SPECIAL MARKINGS



PROJECT AREA

NOTES:  
 1. THIS SHEET TO BE USED FOR THE LAYOUT OF ALL CENTERLINE PAVEMENT MARKINGS.  
 THE ENGINEER MAY CONTACT KEITH SWEET, PAVEMENT MARKING SUPERVISOR AT  
 (802) 828-5573 FOR ASSISTANCE LAYING OUT THE CENTERLINE DURING CONSTRUCTION.

**NOT TO SCALE**

PROJECT NAME:	BENNINGTON-WILMINGTON
PROJECT NUMBER:	NH SURF (51)
FILE NAME:	p14v201Bennington-Wilmington.dgn
PROJECT LEADER:	M. FOWLER
DESIGNED BY:	N. PAPPAS
LAYOUT SHEET 5	CHECKED BY: M. FOWLER
	DRAWN BY: N. PAPPAS
	SHEET 24 OF 64