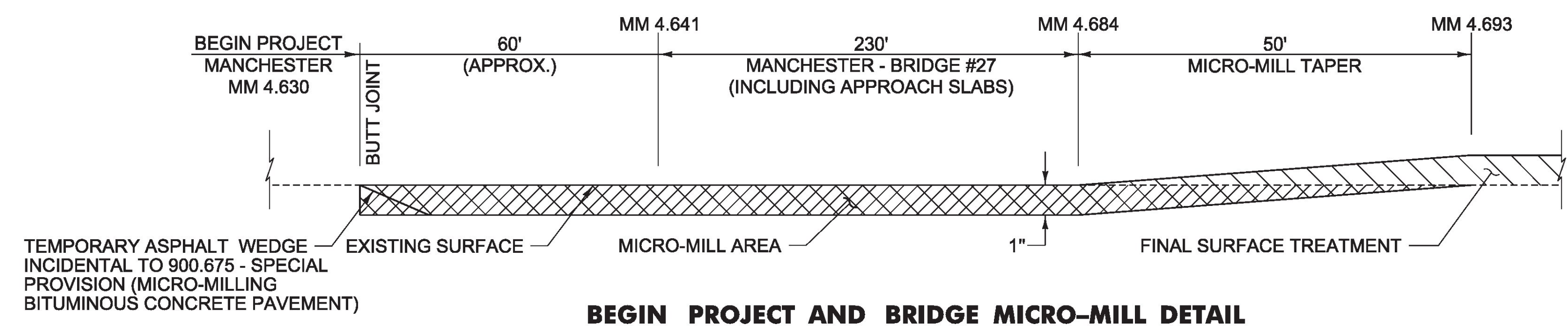


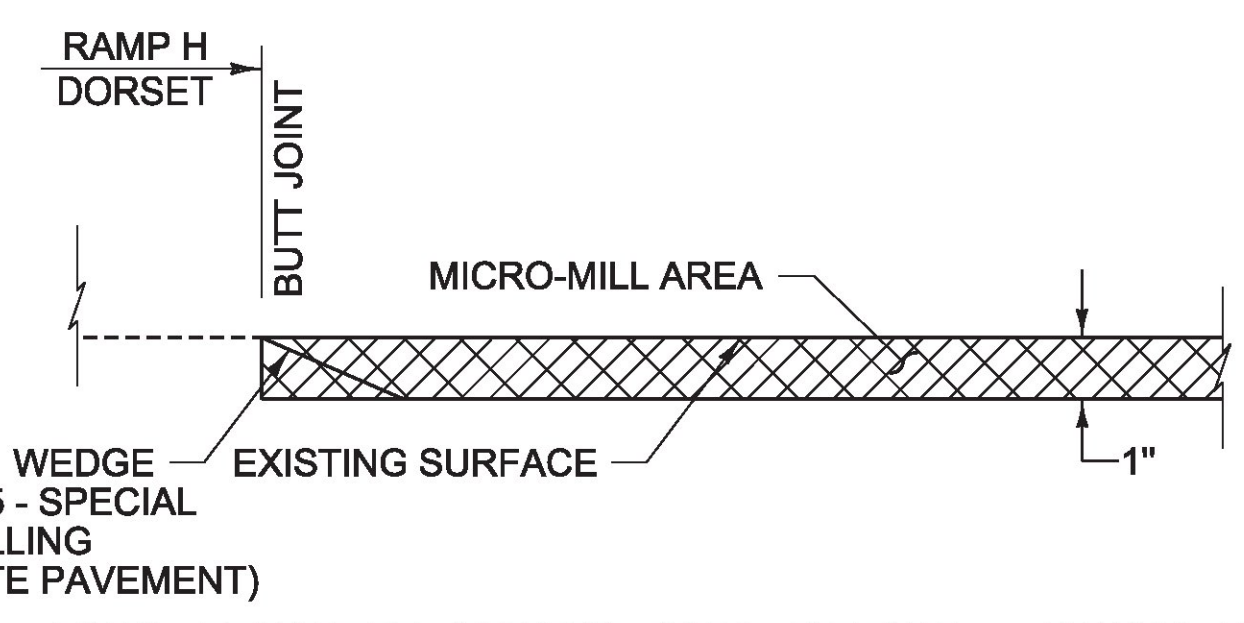
MANCHESTER - EXIT 4, RAMP C
 MANCHESTER - EXIT 4, RAMP D
 MANCHESTER - EXIT 4, RAMP E

WALLINGFORD - MM 0.000
 RUTLAND TOWN - MM 1.177

TYPICAL APPROACH AREA DETAIL MAINLINE & RAMPS

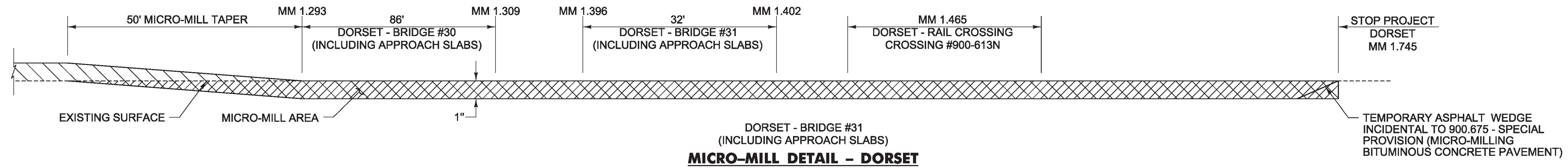


BEGIN PROJECT AND BRIDGE MICRO-MILL DETAIL

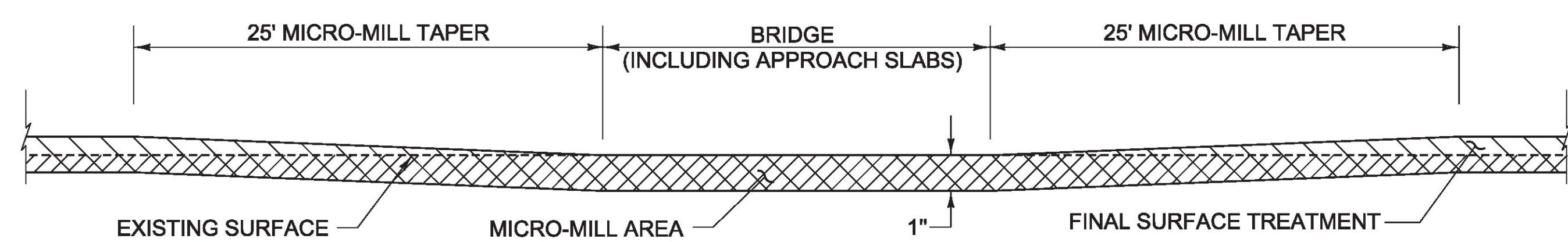


END PROJECT MICRO-MILL DETAIL - RAMP H

DORSET
 MM 1.544 - MM 1.676 (STA 81+50 - STA 88+53 LT)

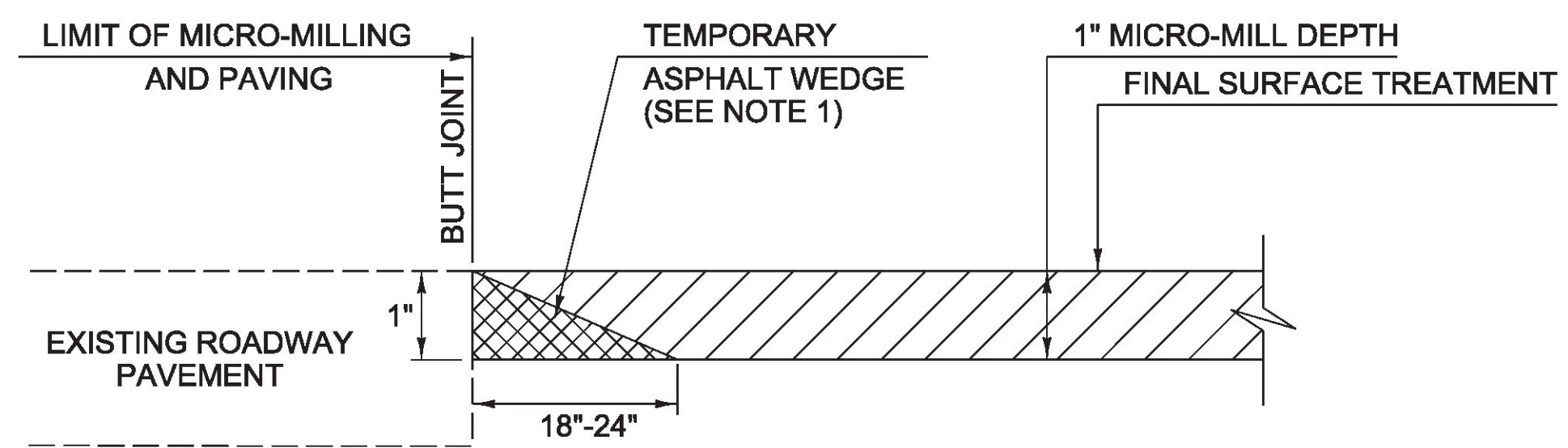


MICRO-MILL DETAIL - DORSET



BRIDGE MICRO-MILL DETAIL

BRIDGE 79 - MM 4.625 - WALLINGFORD
 BRIDGE 80 - MM 4.736 - WALLINGFORD
 BRIDGE 90N - MM 1.341 - CLARENDON
 BRIDGE 90S - MM 1.341 - CLARENDON
 BRIDGE 96 - MM 5.476 - CLARENDON



ASPHALT WEDGE DETAIL

NOTE:
 1. TEMPORARY ASPHALT WEDGE WILL BE REMOVED PRIOR TO PAVING AND WILL BE CONSIDERED INCIDENTAL TO ITEM 900.675 - SPECIAL PROVISION (MICRO-MILLING BITUMINOUS CONCRETE PAVEMENT).

NOTES:

- REFER TO ASPHALTIC PLUG JOINT DETAIL SHEET, SD-516.10 FOR BRIDGE JOINT APPLICATION. ALL NEW BRIDGE JOINTS WILL BE PAID FOR UNDER ITEM 516.10, "BRIDGE EXPANSION JOINT, ASPHALTIC PLUG."
- THE CONTRACTOR SHALL TAKE PRECAUTIONS TO AVOID DAMAGING DRAINAGE STRUCTURES AND EXPANSION JOINTS. ANY DAMAGE CAUSED BY THE CONTRACTOR SHALL BE REPAIRED BY THE CONTRACTOR AT NO COST TO THE STATE.
- THE CONTRACTOR SHALL USE CAUTION WHEN MICRO-MILLING AND PAVING OPERATIONS OCCUR ON BRIDGE DECKS. SHOULD ANY DAMAGE OCCUR TO THE DECK OR MEMBRANE AS A RESULT OF THESE OPERATIONS THE ENGINEER SHALL CONTACT THE VTRANS CONSTRUCTION STRUCTURES ENGINEER TO PROVIDE AN ASSESSMENT OF THE DAMAGE AND RECOMMEND ANY NECESSARY REPAIRS. THE CONSTRUCTION STRUCTURES ENGINEER WILL ALSO DETERMINE IF THE DAMAGE WAS AVOIDABLE. IF THE CONTRACTOR IS DETERMINED BY THE ENGINEER TO BE AT FAULT FOR THE DAMAGE, THE RECOMMENDED REPAIRS SHALL BE COMPLETED BY THE CONTRACTOR AT NO COST TO THE STATE.

NOT TO SCALE

PROJECT NAME: MANCHESTER-RUTLAND TOWN	
PROJECT NUMBER: NH SURF(50)	
FILE NAME: pl4v200.dgn	PLOT DATE: 1/15/2016
PROJECT LEADER: M. FOWLER	DRAWN BY: B. KIPP
DESIGNED BY: B. KIPP	CHECKED BY: PVT. MGT.
DETAIL SHEET 1	SHEET 9 OF 105