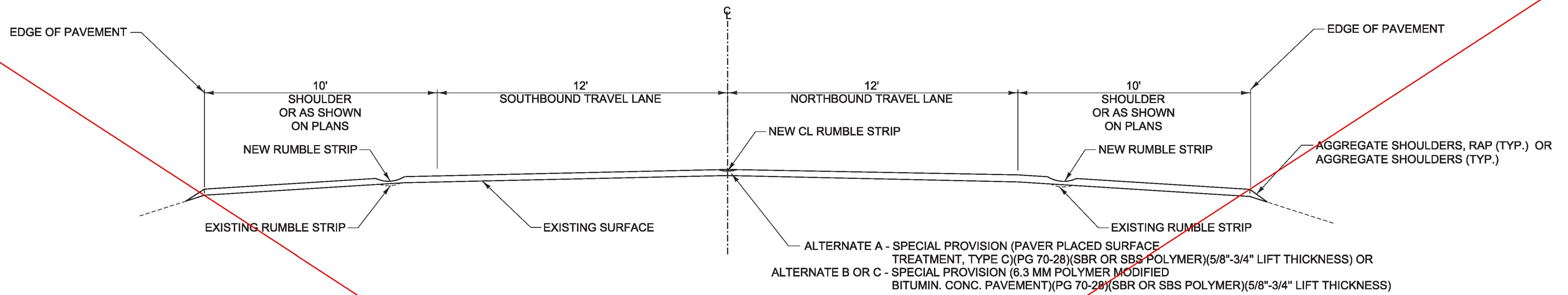
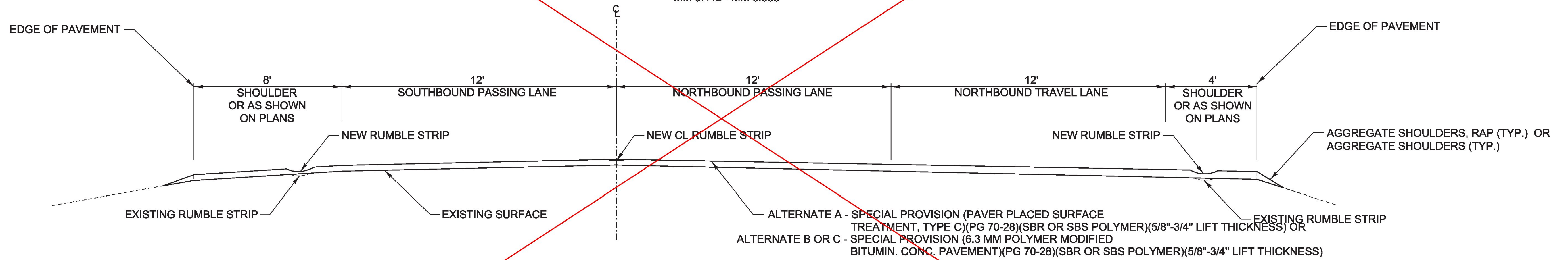


alternate B used



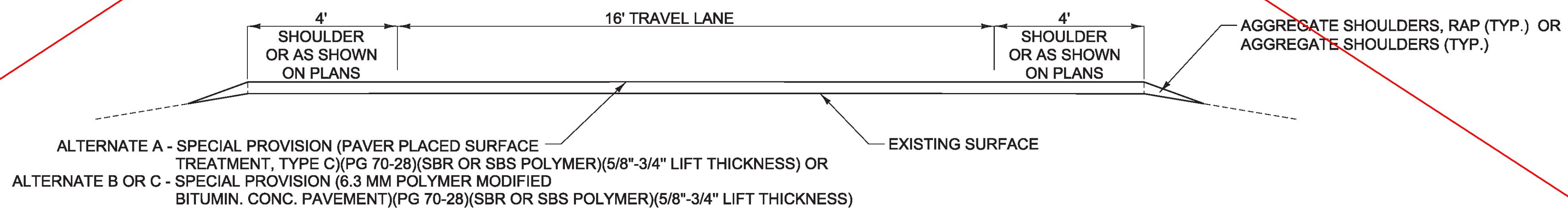
ROADWAY TYPICAL SECTION

NOT TO SCALE
MANCHESTER:
MM 4.630 - MM 7.075
DORSET:
MM 0.412 - MM 0.858



ROADWAY TYPICAL SECTION

NOT TO SCALE
MANCHESTER:
MM 7.075 - MM 7.520
DORSET:
MM 0.000 - MM 0.122



TYPICAL RAMP SECTION

NOT TO SCALE
MANCHESTER:
MM 4.683 - RAMP E (STA E0+00 - STA E11+22)
MM 4.925 - RAMP D (STA D0+00 - STA D17+21)
MM 4.977 - RAMP C (STA C0+00 - STA C11+15)

PROJECT NAME: MANCHESTER-RUTLAND TOWN
PROJECT NUMBER: NH SURF(50)

FILE NAME: pl4v200.dgn
PROJECT LEADER: M. FOWLER
DESIGNED BY: B. KIPP
TYPICAL SECTION SHEET 1

PLOT DATE: 1/15/2016
DRAWN BY: B. KIPP
CHECKED BY: M. FOWLER
SHEET 5 OF 105

see revised sheet