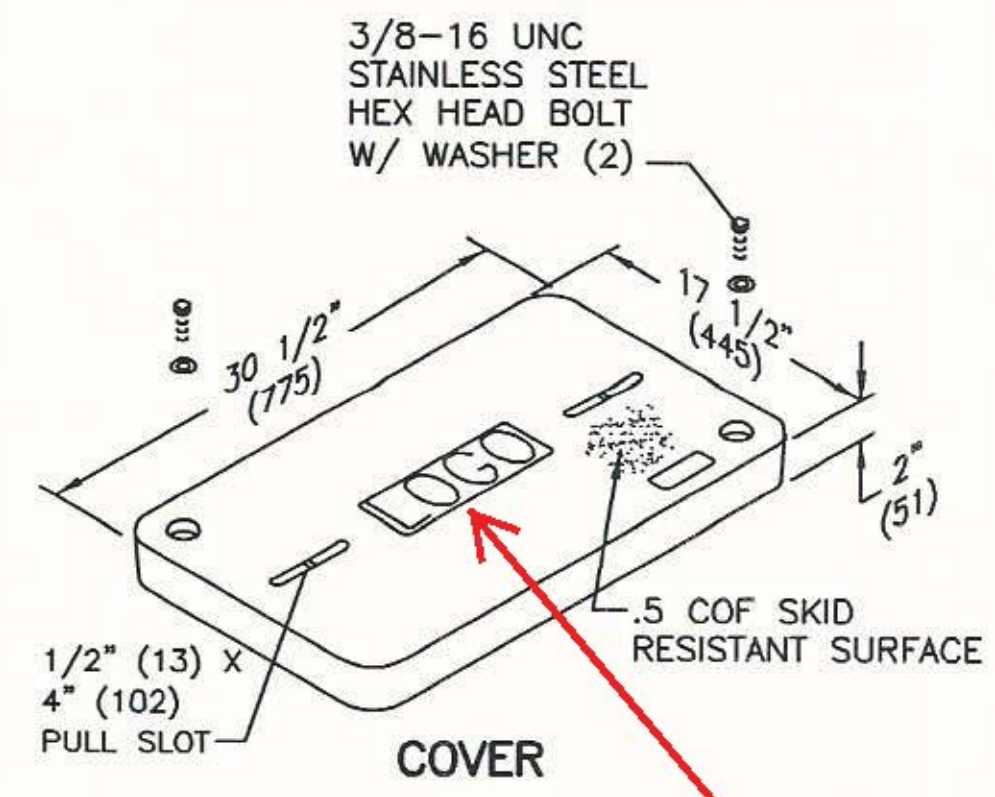


Approved AsNoted	
BY:	Patti Coburn, P.E.
DATE:	08/14/2017
RESUBMIT:	No
RECEIVED:	August 11, 2017
CD BY:	Matt Bogaczyk
STATE OF VERMONT AGENCY OF TRANSPORTATION	

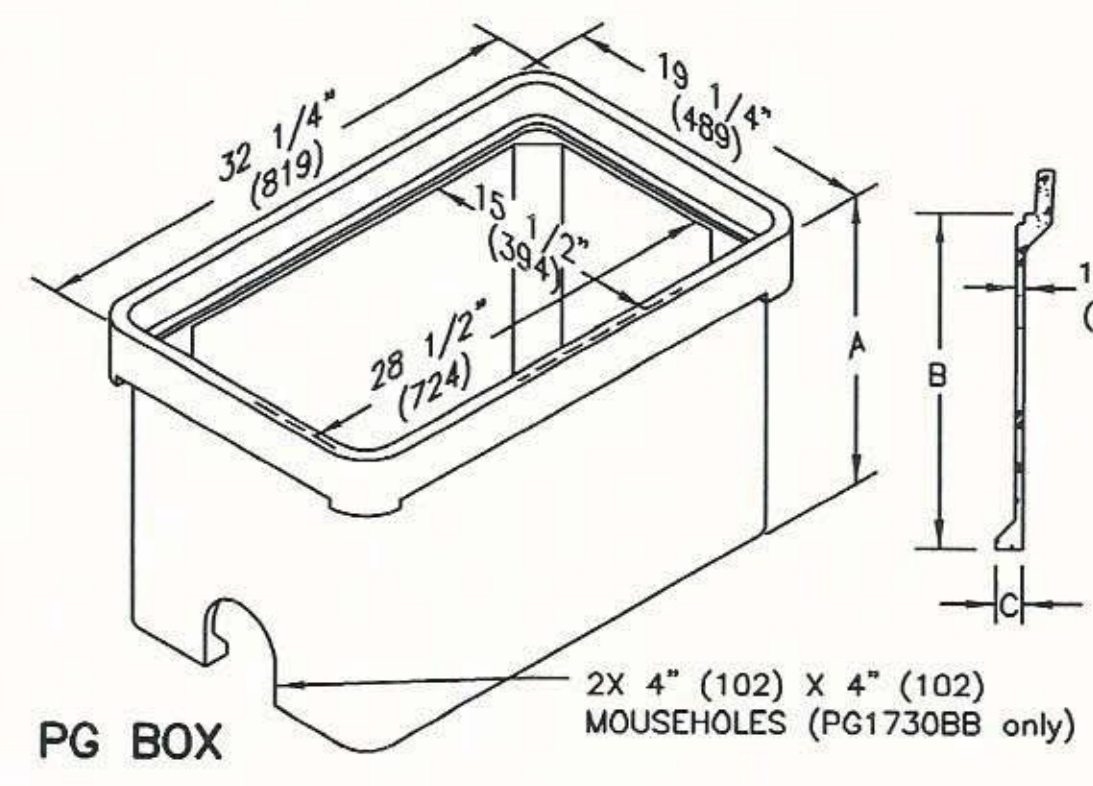


SPECIFICATIONS/DATA

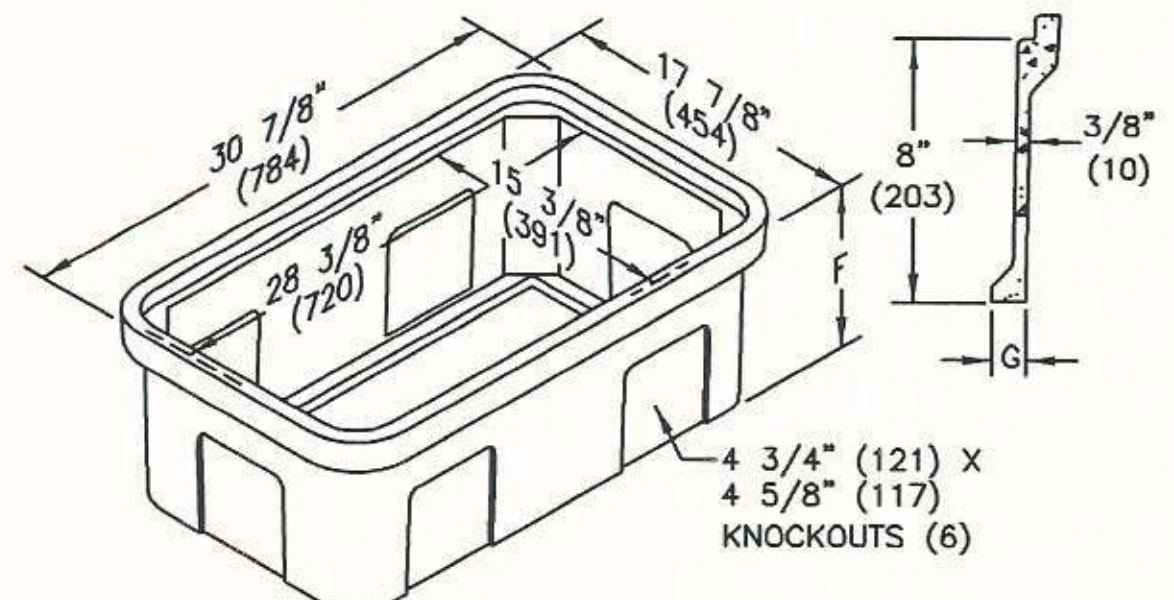
**17" x 30" PG Style (Stackable) Assembly
and 17" x 30" PD Style Assembly**



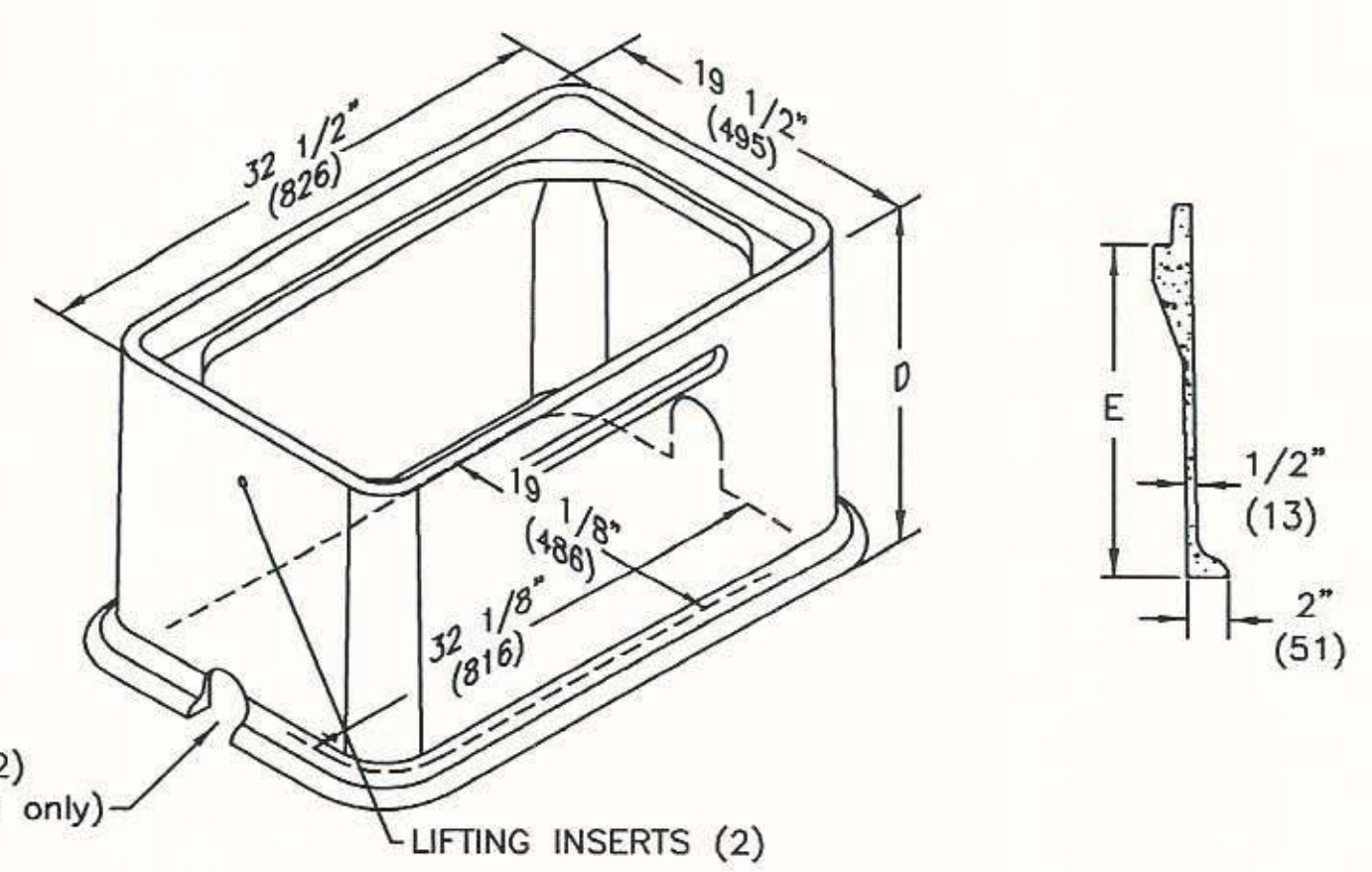
"TRAFFIC SIGNAL"



PG BOX



PG BOTTOM EXTENSION



PD BOX



ENCLOSURE DRAWINGS