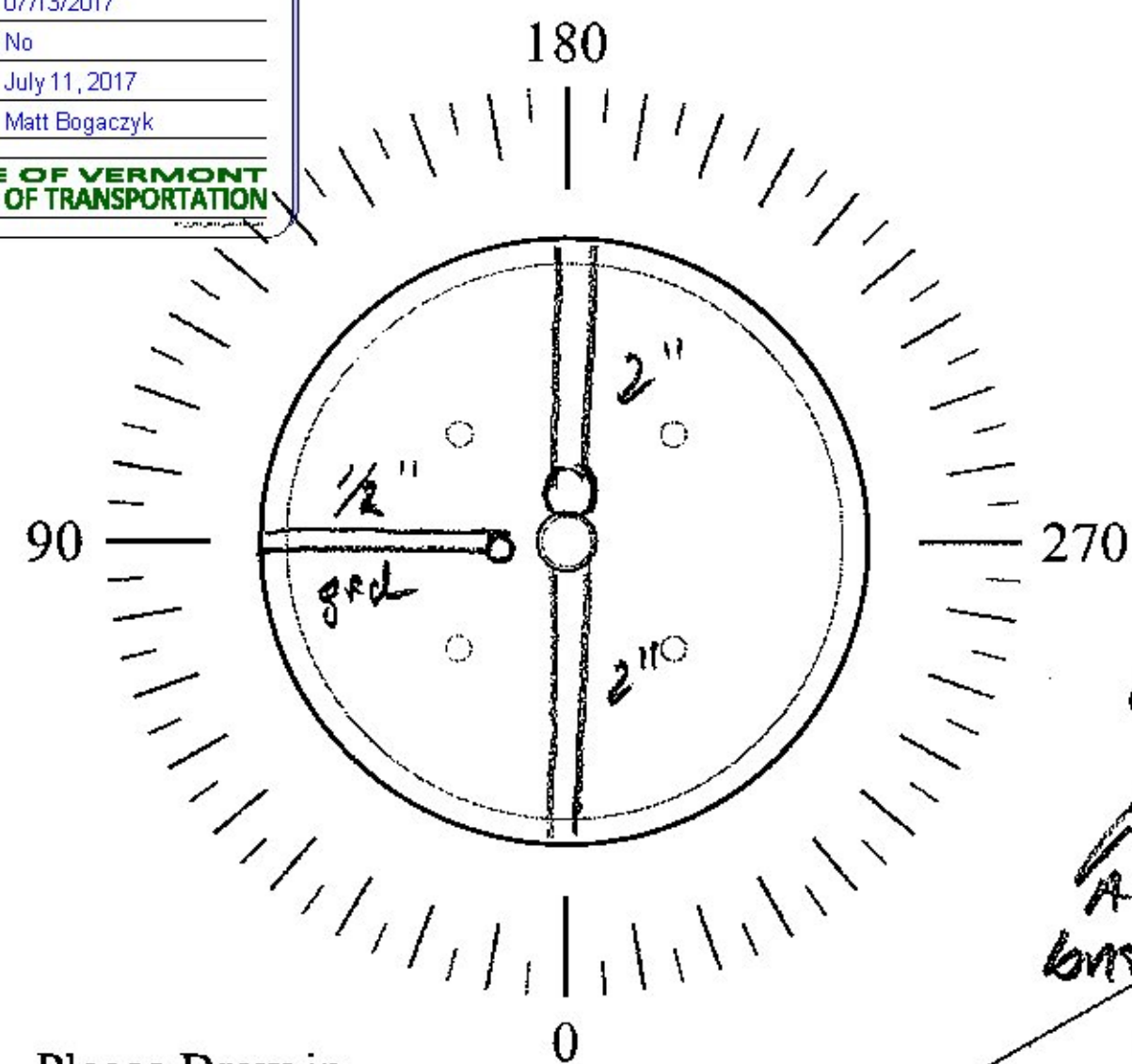
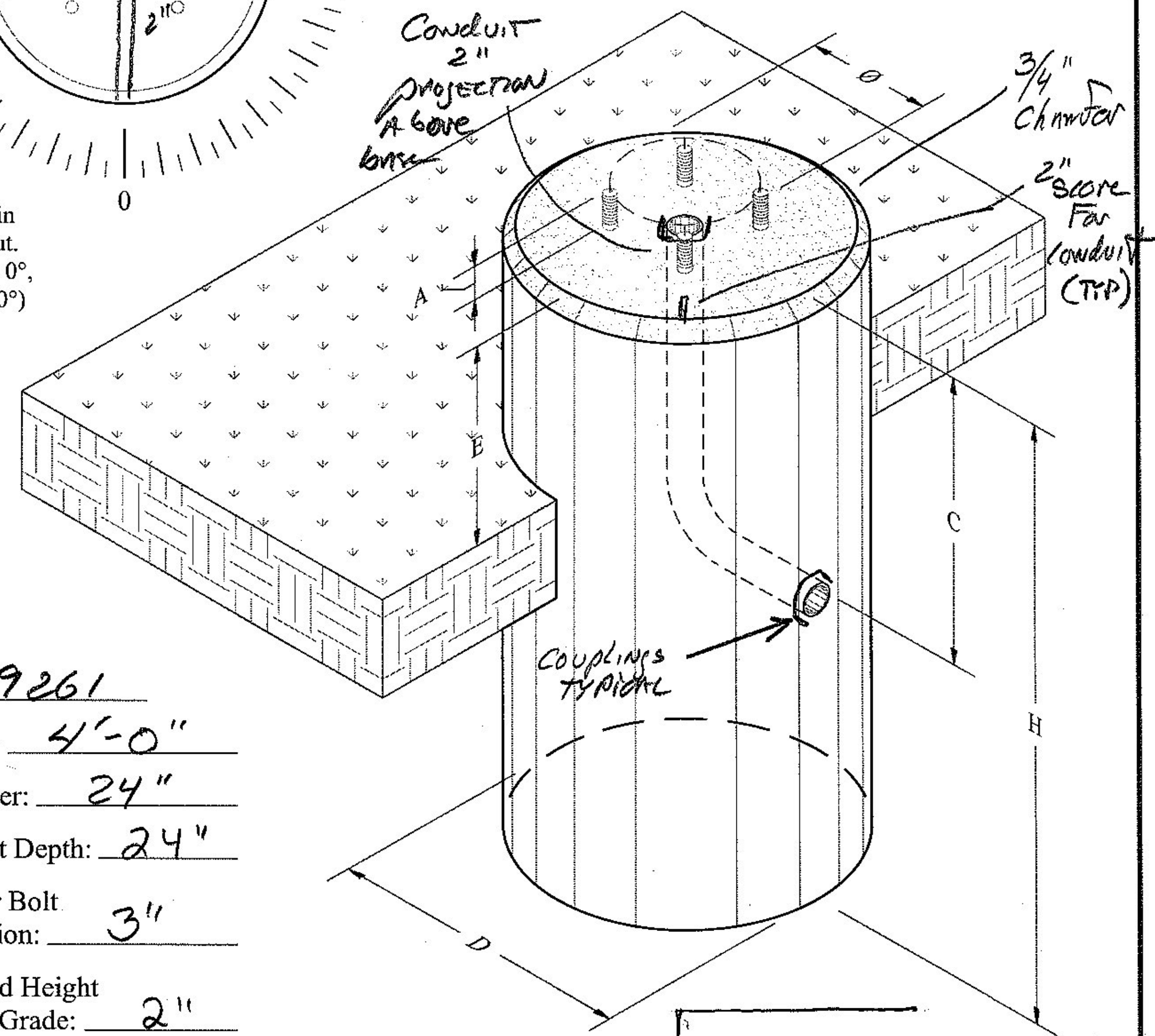


Approved
 BY: Patti Coburn, P.E.
 DATE: 07/13/2017
 RESUBMIT: No
 RECEIVED: July 11, 2017
 CRO BY: Matt Bogaczyk
 STATE OF VERMONT
 AGENCY OF TRANSPORTATION

Job Name: RUTLAND NHG019-3(60)
 Customer: LAFASO ELECTRIC
 Base #: PO #1, PO #2, PO #3
 Quantity: 3
 Conduit Size: 2" + 1/2"
 Bolt Pattern Ø: 14"



Please Draw in
 Conduit layout.
 (Suggested at 0°,
 90°, 180°, 270°)



Job #: 19261
 (H) Height: 4'-0"
 (D) Diameter: 24"
 (C) Conduit Depth: 24"
 (A) Anchor Bolt
 Projection: 3"
 (E) Exposed Height
 Above Grade: 2"

EST Hwy Pich = 1860 #/EA

ANCHOR BOLT - T&D
 18"Ø=255 lbs/ft : 24"Ø=460 lbs/ft

Design Notes:

- Concrete Minimum 5000 psi at 28 days
- Grade 60 Steel Reinforcing
- Anchor Bolt Projection & Pattern as Required by Project
- Conduit & Anchor Bolts are to be Supplied by Others

Additional Notes:

Reinforcing - 2" clear, BLACK B&B, Grade 60
 (4) #6 BARS VERTICAL, 5" shorter than Exposed height
 #4 B&B STRIPPS @ 12" O.C. (3" clear), 15" overall
 CD