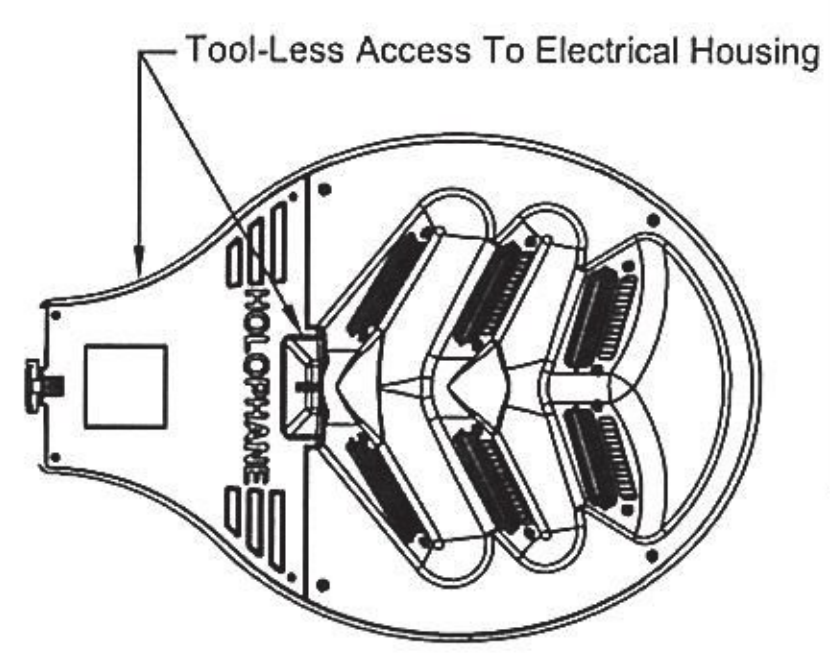
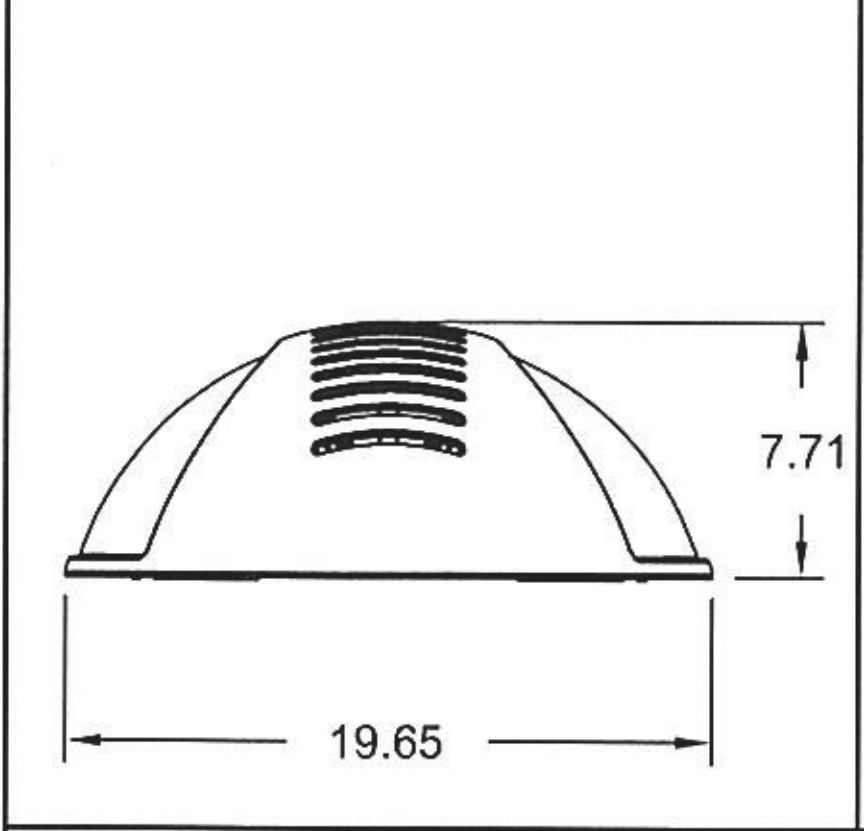
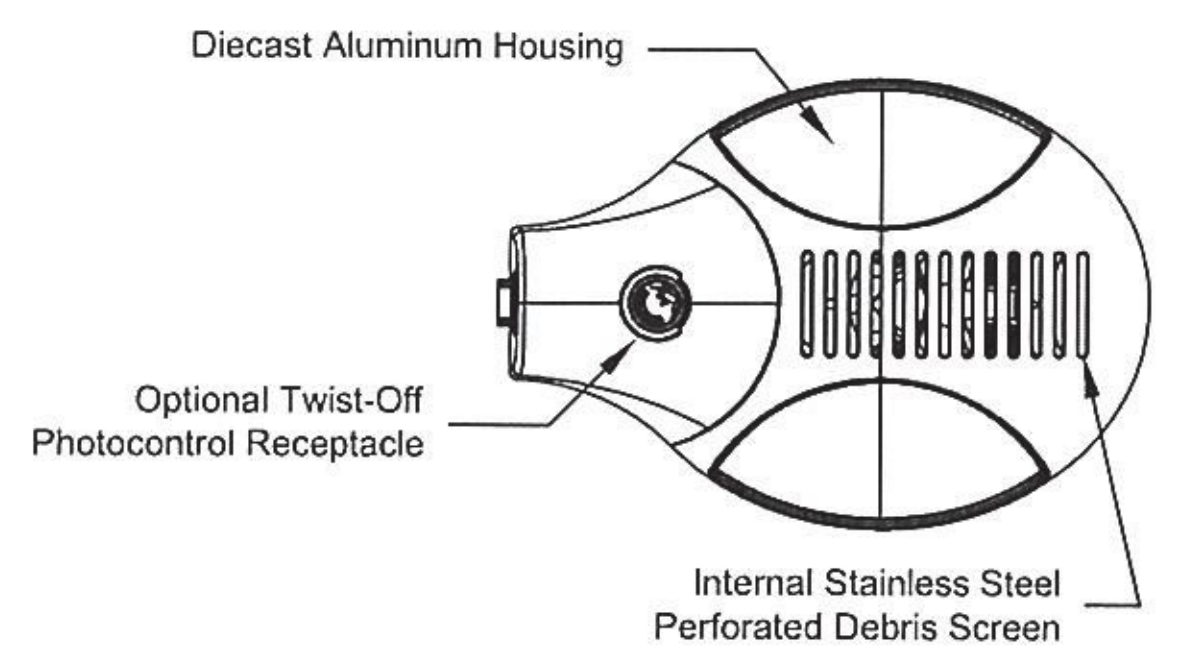


Weight = 28lbs  
EPA = .62



**Approved AsNoted**

BY: Patti Coburn, P.E.  
DATE: 06/28/2017  
RESUBMIT: No  
RECEIVED: June 21, 2017  
CKD BY: Matt Bogaczyk

STATE OF VERMONT  
AGENCY OF TRANSPORTATION

**LEDGEND™**  
**LED Roadway Lighting**

Functional  
Outdoor

Customer Preferred: (Most Frequently Ordered Catalog Numbers)  
LEDG 120 35 4K AS G L1 R F1  
K L2  
W

LEDG	096	35	5K
Series	Number of LED'S	Drive Current	Color Temperature
LEDgend LED Roadway	120 = 120 LED'S 108 = 108 LED'S 096 = 96 LED'S 084 = 84 LED'S 072 = 72 LED'S 060 = 60 LED'S 048 = 48 LED'S 036 = 36 LED'S	35 = 350mA Driver 53 = 525mA Driver 70 = 700mA Driver	4K = 4,000 K CCT +/- 250K 5K = 5,000 K CCT +/- 250K
AS	<del>G</del>	L2	
Voltage	Housing Color	Optics	

AS = Auto-Sensing  
Voltage (120 thru 277)  
\*AH = Auto-Sensing  
Voltage (347 thru 480)

A = As Specified  
G = Gray  
H = Graphite  
K = Black  
N = Green  
W = White  
Z = Bronze

L1 = Type I, Narrow Asymmetric  
L2 = Type II, Medium Asymmetric  
L3 = Type III, Wide Asymmetric  
L4 = Type IV, Forward Throw

**K = Black**

Options

**OPTIONS**  
B = Constant Lumen Output, Bi-Level Dimming  
C = Constant Lumen Output  
DE = ROAM CONCIERGE Dimming Control  
VE = ROAMVIEW Dimming Control  
EL = Extended Life - Driver  
PCS = DTL Solid-State Lighting Photocontrol 120-277V  
P34 = DTL Twist-Off Photocontrol 347V  
P48 = DTL Twist-Off Photocontrol 480V  
PSC = Shorting Cap  
R = NEMA Twist-Off Photocontrol Receptacle  
SP = Single Pack For UPS

Accessories

**ACCESSORIES**  
F1 = Single Fusing (120, 240, 277, 347V)  
F2 = Double Fusing (208, 240, 480V)  
BR-1055-XX = P2 Tenon Adapter  
LEDGHSS = House Side Shield

**NOTES:**  
\*Not available with 36 LED's with 35 or 53 drive currents or with options B, C, DE, VE, EL or PCS  
\*Not available with B, C, DE or VE options with 53 drive current  
\*Not available with 120 LED's

ORDERING INFORMATION:

**HOLOPHANE®**  
LEADER IN LIGHTING SOLUTIONS  
An Acuity Brands Company  
© 2010 Acuity Brands Lighting, Inc. All Rights Reserved

THIS DRAWING, WHEN APPROVED, SHALL BECOME THE COMPLETE SPECIFICATION FOR THE MATERIAL TO BE FURNISHED BY HOLOPHANE. THE CUSTOMER SHALL BE RESPONSIBLE FOR OBTAINING ALL NECESSARY PERMITS AND APPROVALS. HOLOPHANE SHALL NOT BE RESPONSIBLE FOR ANY DAMAGE TO PROPERTY OR PERSONS ARISING FROM THE USE OF THIS MATERIAL. HOLOPHANE SHALL NOT BE RESPONSIBLE FOR ANY DAMAGE TO PROPERTY OR PERSONS ARISING FROM THE USE OF THIS MATERIAL. HOLOPHANE SHALL NOT BE RESPONSIBLE FOR ANY DAMAGE TO PROPERTY OR PERSONS ARISING FROM THE USE OF THIS MATERIAL.

ORDER #:  
TYPE: JRM  
DRAWN: JRM  
DATE: 10/31/12  
DWG #: LUM\_LEDG