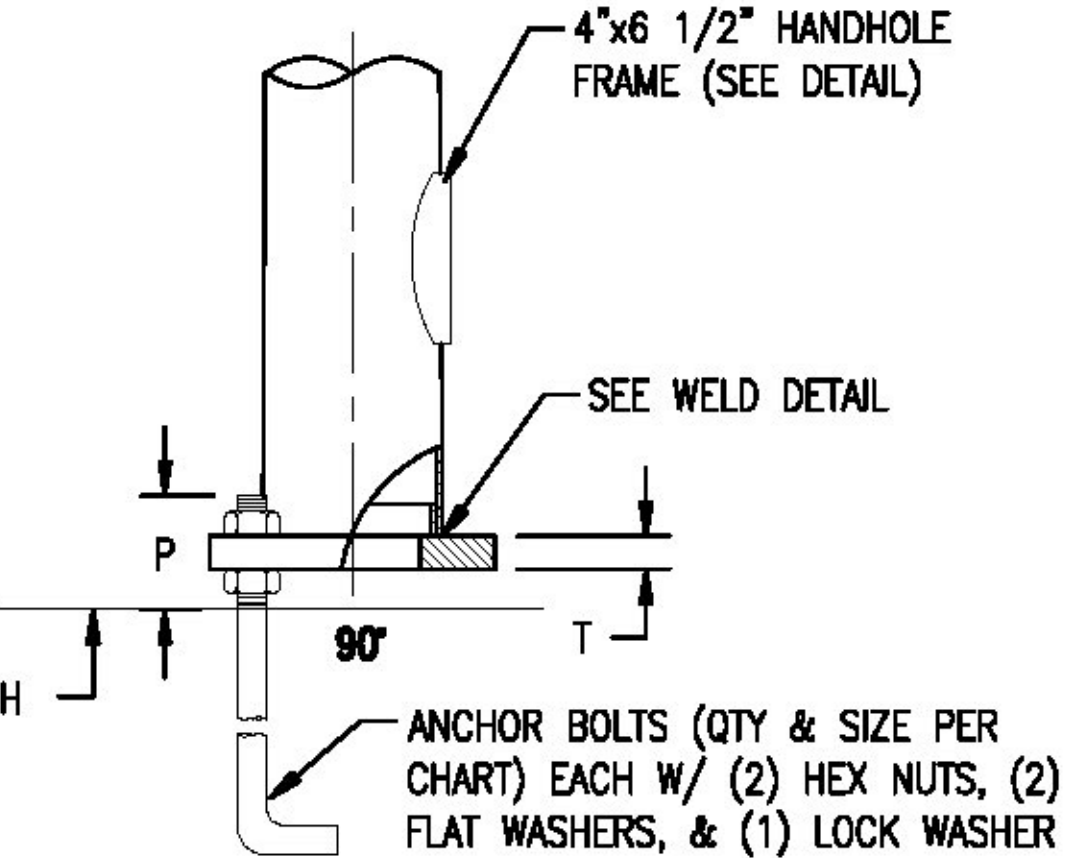
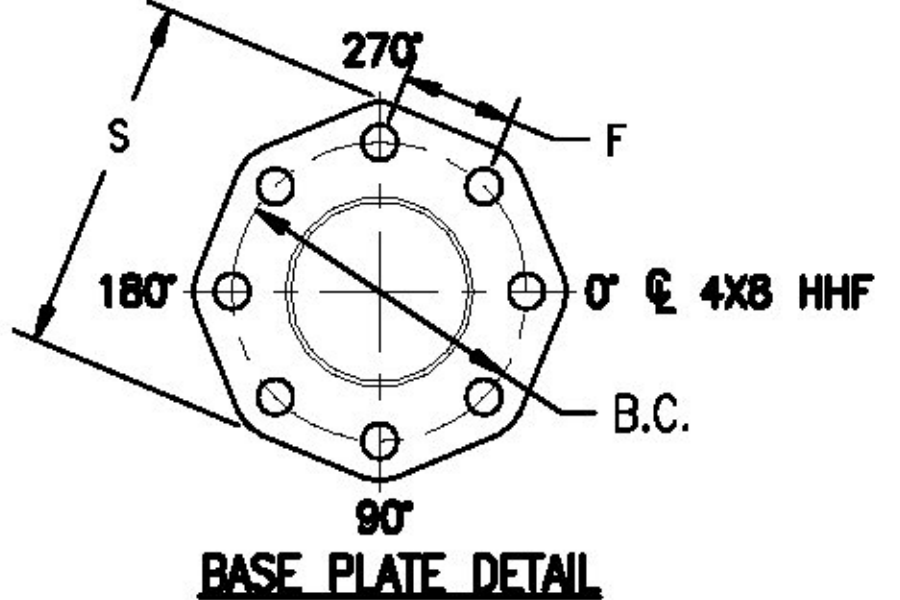


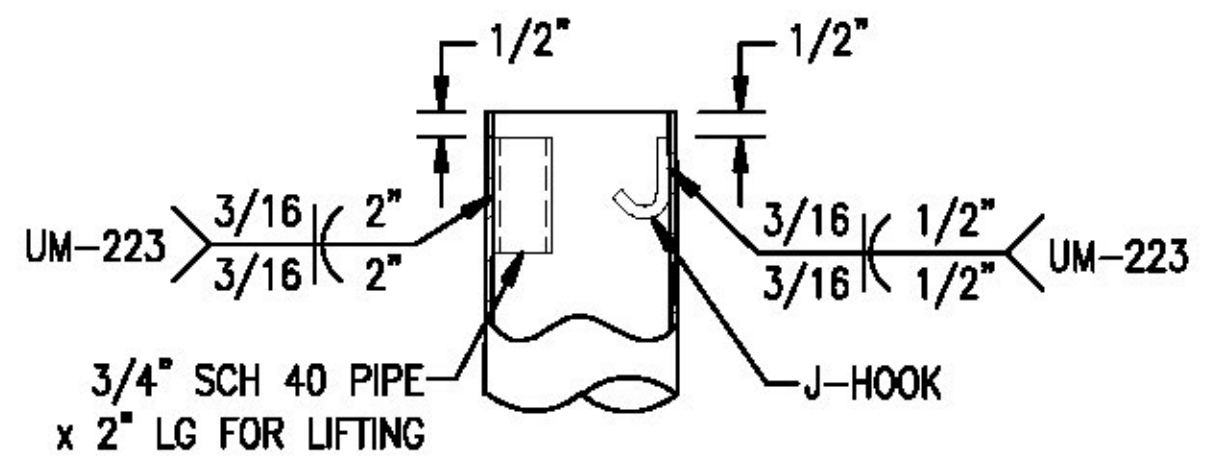
POLE BASE & ARM FLANGE WELD DETAIL



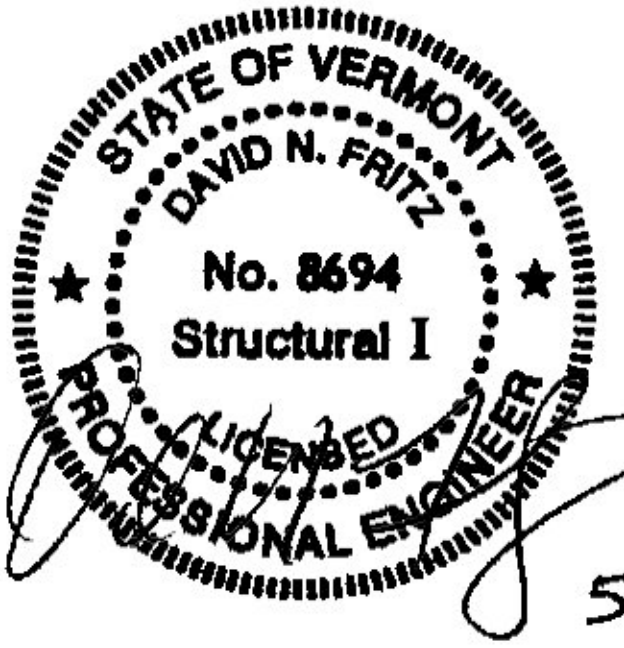
BASE CONNECTION DETAIL



BASE PLATE DETAIL



TOP OF POLE DETAIL
ORIENTATION OF PIPE & J-HOOK AS REQUIRED



STATE: VT	REQ / SO# : DVT-0810-2	REV	DESCRIPTION	DATE	REV BY/CHK BY
PROJECT NAME: PROJ. NO. NHG-019-3(60)		REVISIONS			
ROUND TAPERED STEEL TRAFFIC CONTROL STRUCTURES RUTLAND, VERMONT					
	This document and the contents herein are proprietary and the property of Union Metal Corporation. This document is not to be copied, reproduced, or used for any reason except for the purpose which it was issued without the express written consent of Union Metal Corporation. Furthermore, Union Metal Corporation reserves the right to recall this document and all copies at any time for any reason.	DESIGNED BY	CHECKED BY	DATE	SCALE
		JEF	JAD	4/21/17	NTS
		50400-B775		REVISION	ENG REF
				RO	50400-B775 SHEET 2 of 3