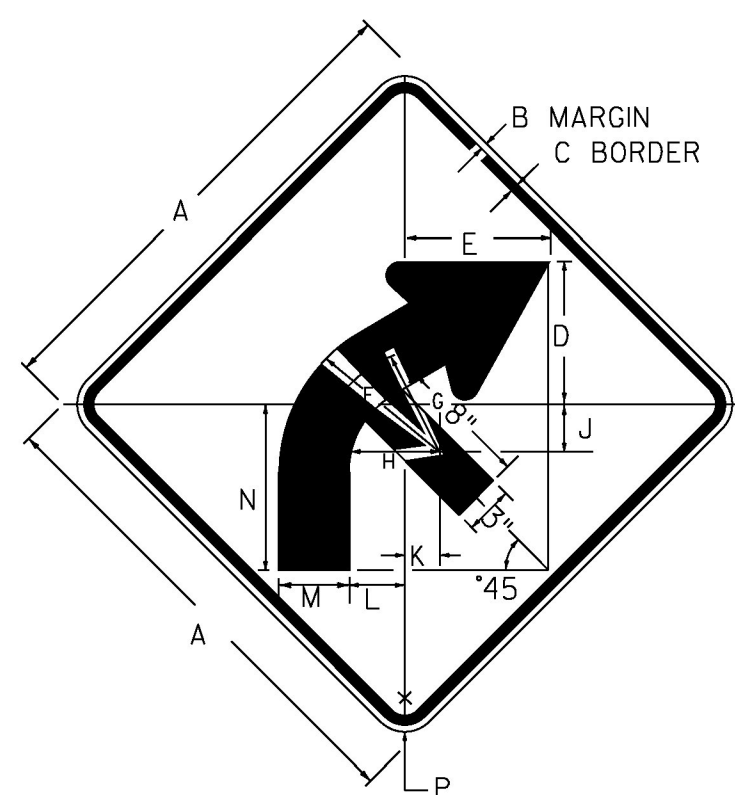


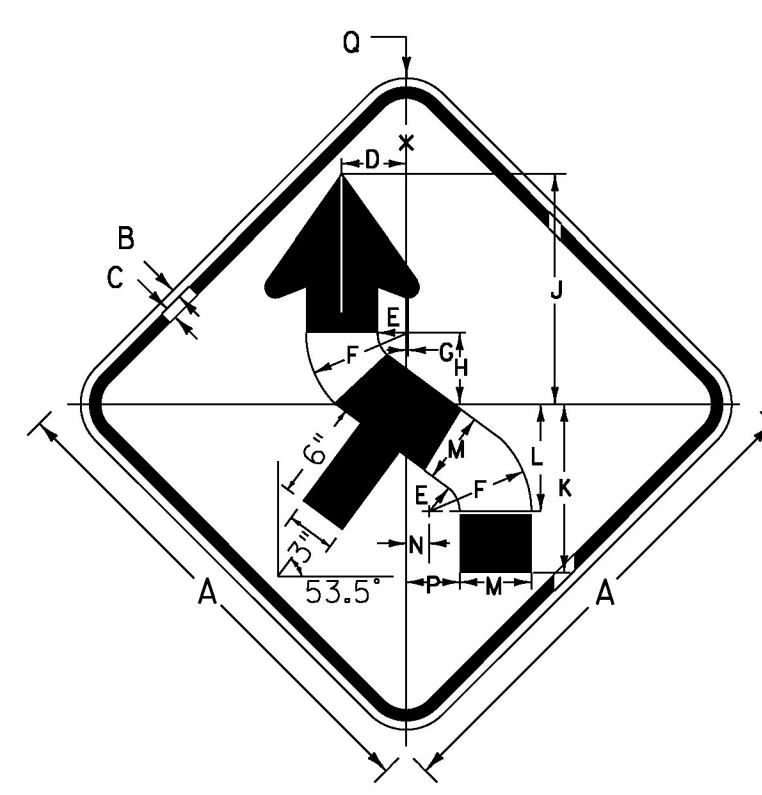
W1-2MbL

SIGN	DIMENSIONS (INCHES)													
	A	B	C	D	E	F	G	H	J	K	L	M	N	P
EXPWY.	36	5/8	7/8	10 3/8	10 7/8	12	9 3/8	6 3/4	3 1/2	2 5/8	4 1/8	5 1/4	12 3/8	2 1/4



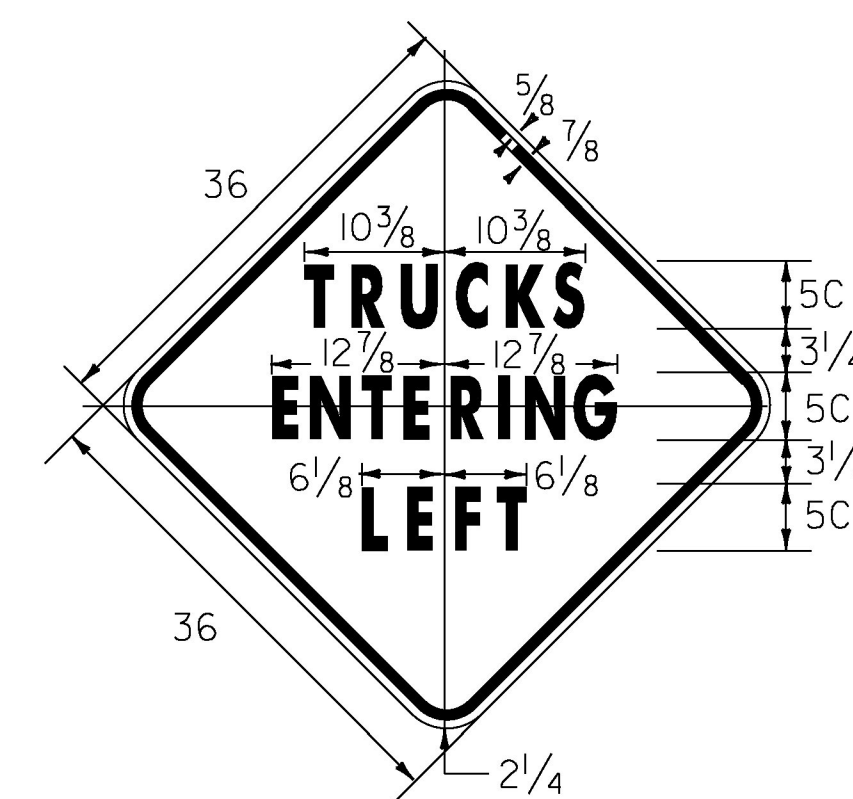
W1-2MbR

SIGN	DIMENSIONS (INCHES)													
	A	B	C	D	E	F	G	H	J	K	L	M	N	P
EXPWY.	36	5/8	7/8	10 3/8	10 7/8	12	9 3/8	6 3/4	3 1/2	2 5/8	4 1/8	5 1/4	12 3/8	2 1/4

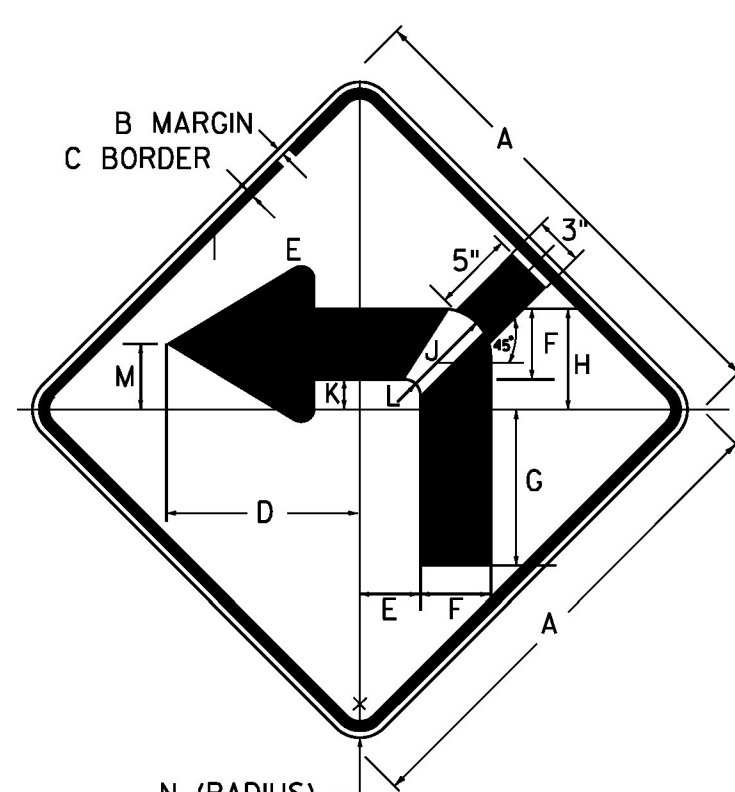


W1-4dL

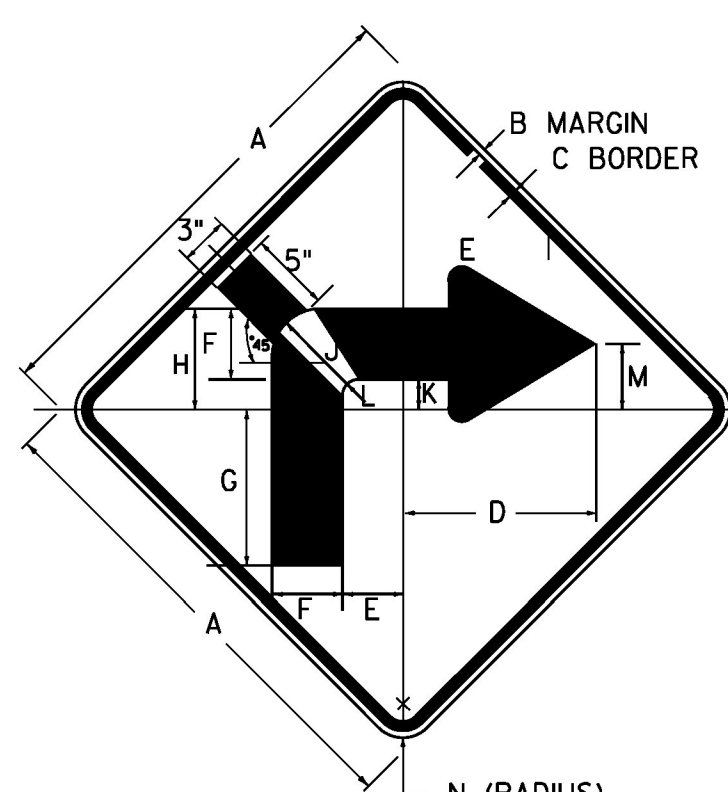
SIGN	DIMENSIONS (INCHES)														
	A	B	C	D	E	F	G	H	J	K	L	M	N	P	Q
STD. & MIN.	36	5/8	7/8	4 2/8	2 1/4	7 1/2	5/32	5 1/4	16 7/8	12 3/8	7 7/8	5 1/4	1 1/8	3 5/8	2 1/4



VW-084



W1-1MdL



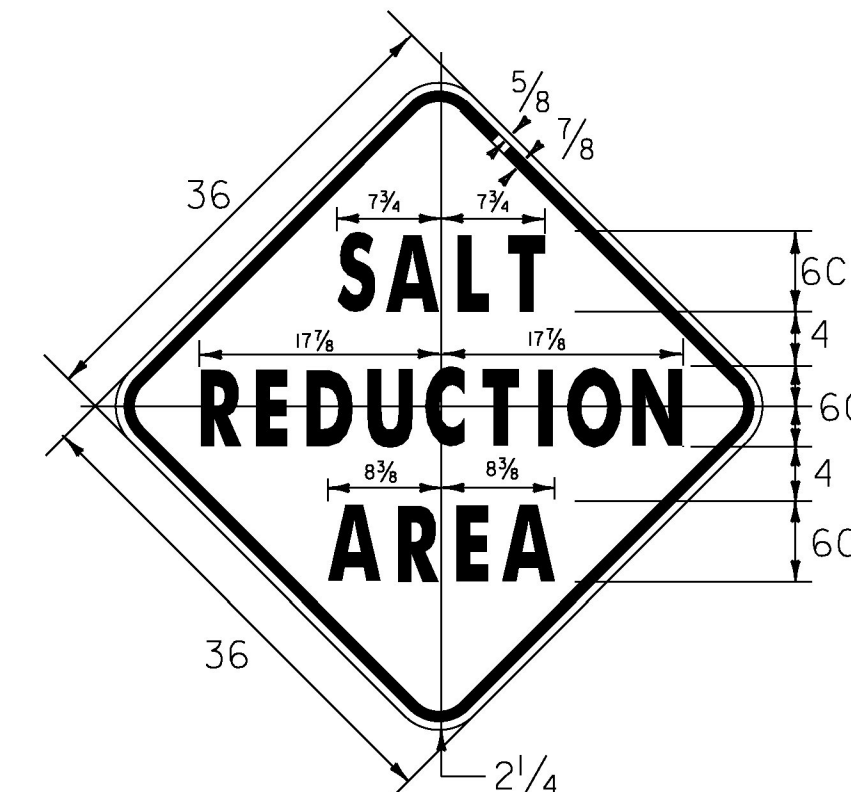
W1-1MdR

COLORS
TEXT AND BORDER - BLACK (NON-REFL.)
BACKGROUND - YELLOW (REFL.)

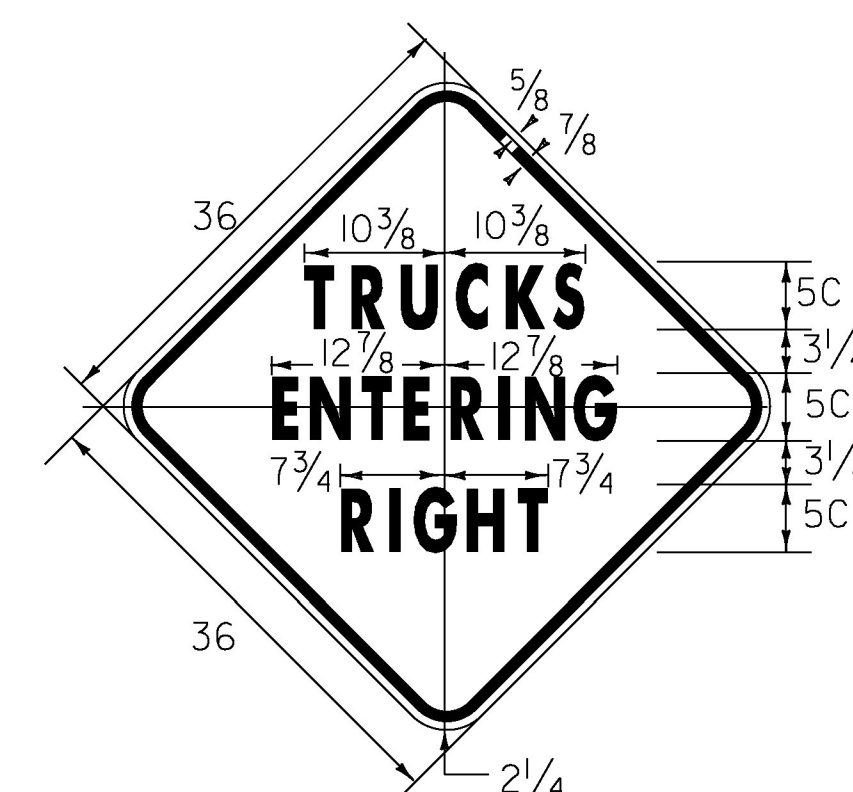
DIMENSIONS (INCHES)												
A	B	C	D	E	F	G	H	J	K	L	M	N
36	5/8	7/8	14 3/8	4 1/2	5 1/2	11 5/8	7 1/2	3 5/8	2 1/4	1 1/4	4 7/8	2 1/4



36.0" across sides 1.9" Radius, 0.8" Border, 0.5" Indent, Black on Yellow;
[TWO WAY] C 2K; [TRAFFIC] C 2K;
[300 FEET] C 2K;



VW-290



VW-081

PROJECT NAME:	STATEWIDE NORTH REGION
PROJECT NUMBER:	STP HRRR(22)
FILE NAME: z14ki00signdet.dgn	PLOT DATE: 5/5/2017
PROJECT LEADER: K. RUTTER	DRAWN BY: R. SHEDD
DESIGNED BY: R. SHEDD	CHECKED BY: K. RUTTER
TRAFFIC SIGN DETAIL SHEET 27	SHEET 41 OF 255