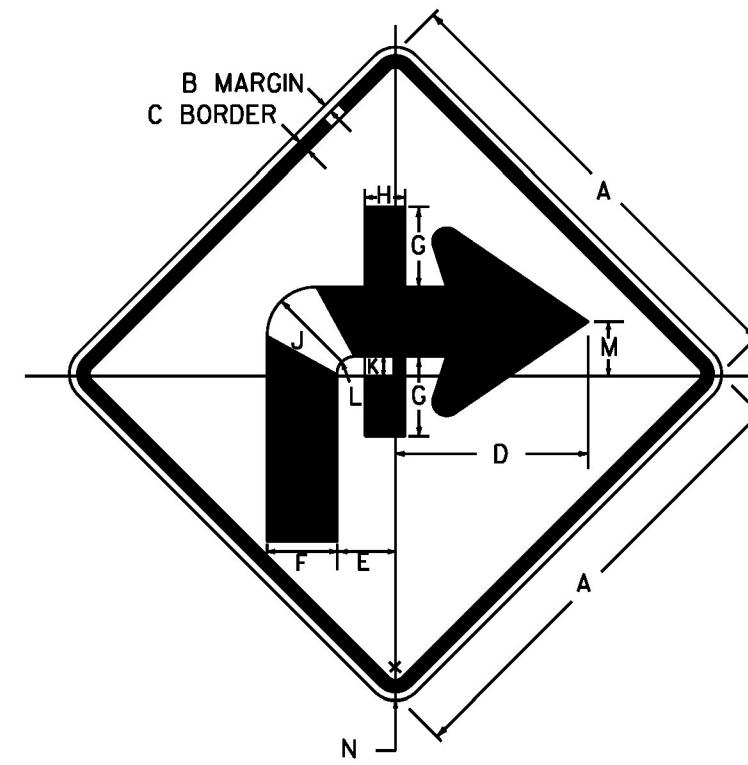


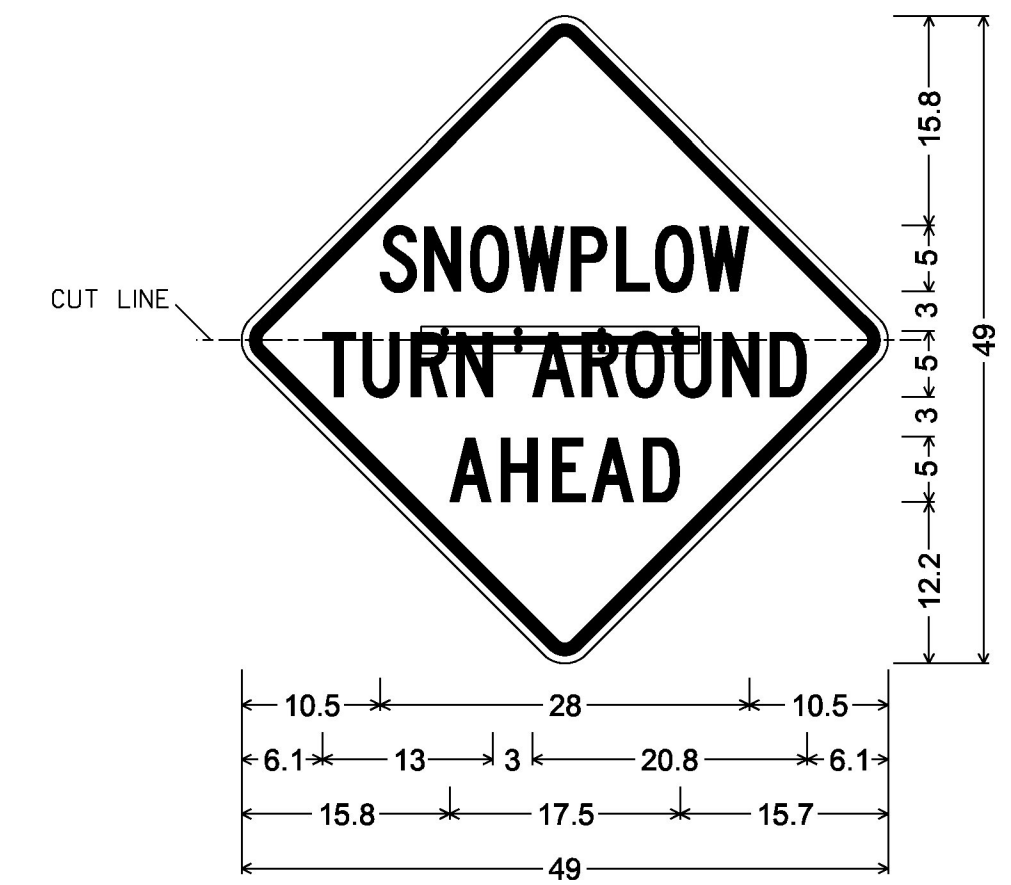
Black on Yellow
W1-1MgL

A	B	C	D	E	F	G	H	J	K	L	M	N
36	.625	.875	14.375	4.125	5.25	6	3	3.625	2.25	1.25	4.875	2.25

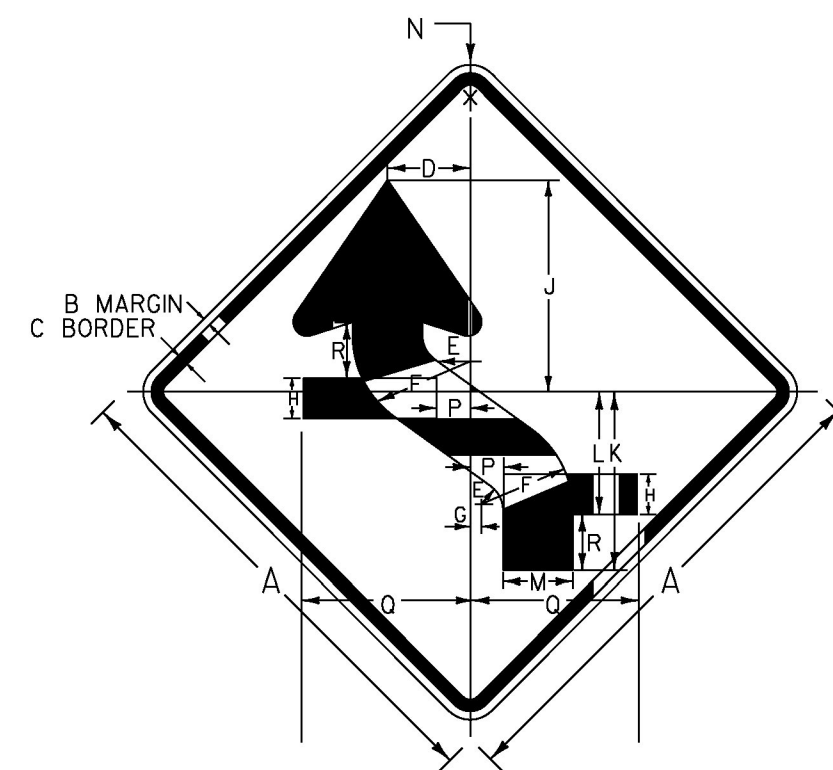


Black on Yellow
W1-1MhR

A	B	C	D	E	F	G	H	J	K	L	M	N
36	.625	.875	14.375	4.125	5.25	6	3	3.625	2.25	1.25	4.875	2.25

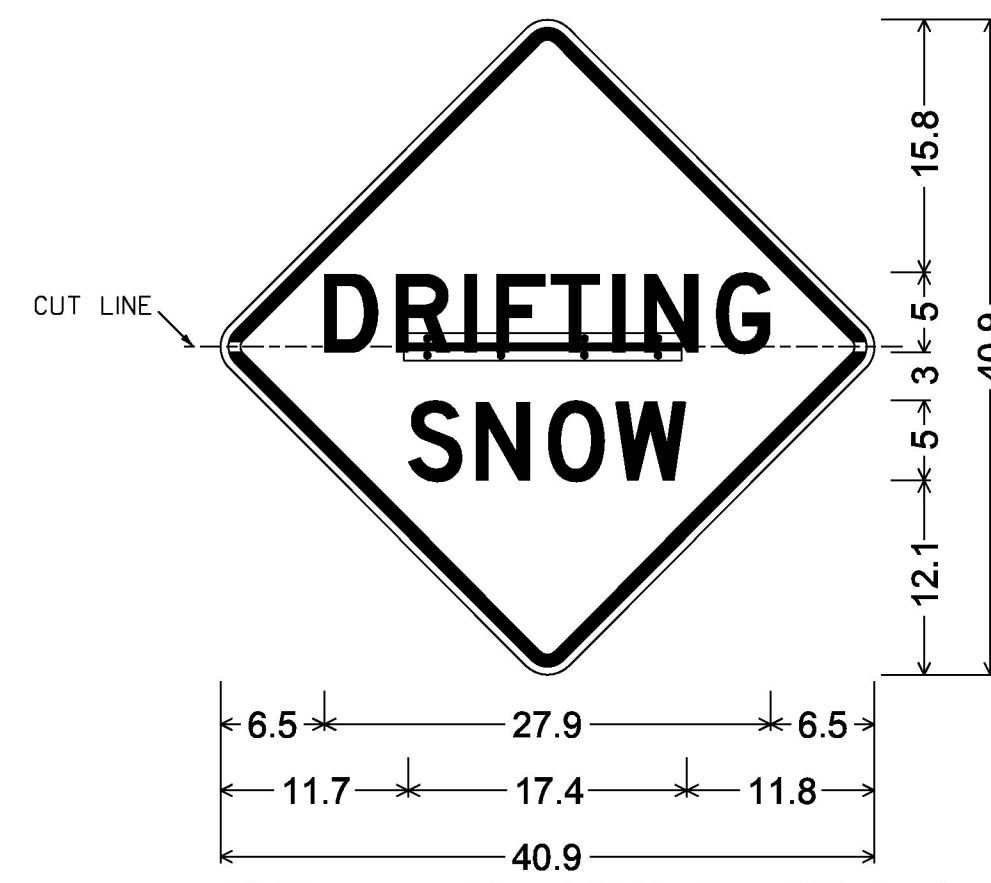


36.0" across sides 2.3" Radius, 0.9" Border, 0.6" Indent, Black on Yellow;
[SNOWPLOW] C 2K 66% spacing;
[TURN AROUND] C 2K 75% spacing;
[AHEAD] C 2K;

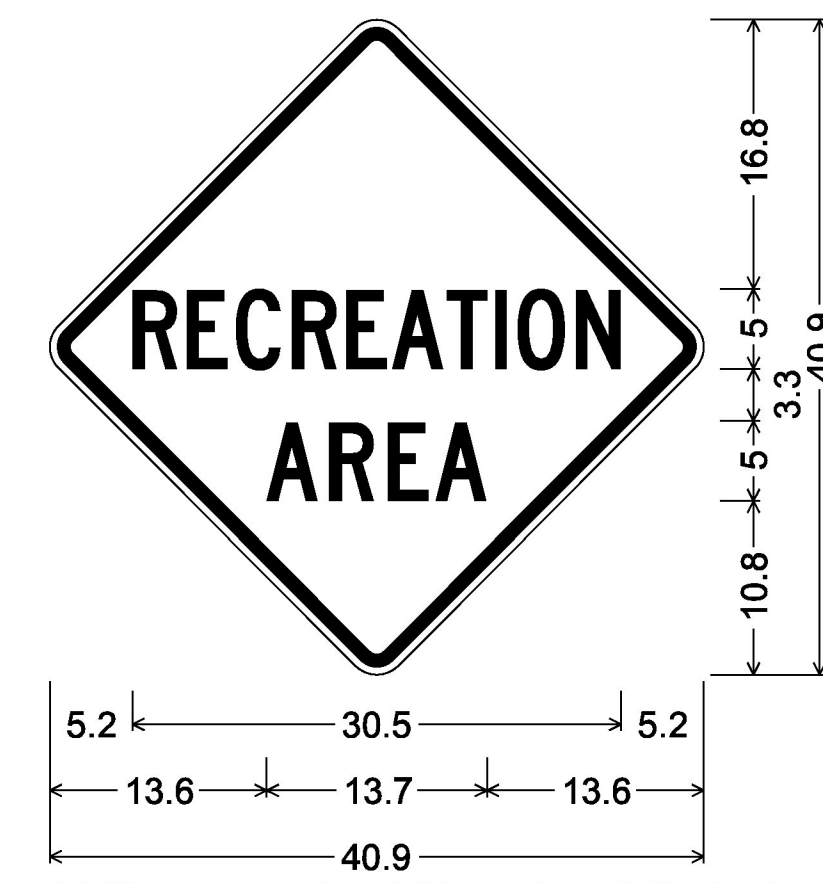


Black on Yellow
W1-4MeL

A	B	C	D	E	F	G	H	J	K	L	M	N
36	.625	.875	6.813	2.25	7.5	1.688	3	16.875	12.375	7.875	5.25	2.25
P	Q	R										
2	12	4.5										



30.0" across sides 1.9" Radius, 0.8" Border,
0.5" Indent, Black on Yellow;
[DRIFTING] D 2K; [SNOW] D 2K;



30.0" across sides 1.9" Radius, 0.8" Border,
0.5" Indent, Black on Yellow;
[RECREATION] C 2K 70% spacing;
[AREA] C 2K;

PROJECT NAME:	STATEWIDE NORTH REGION
PROJECT NUMBER:	STP HRRR(22)
FILE NAME: z14ki00signdet.dgn	PLOT DATE: 5/5/2017
PROJECT LEADER: K. RUTTER	DRAWN BY: R. SHEDD
DESIGNED BY: R. SHEDD	CHECKED BY: K. RUTTER
TRAFFIC SIGN DETAIL SHEET 26	SHEET 40 OF 255