

APPROVED

EAST COAST SIGNALS APPROVED FPR SUBMITTAL 5-10-16 MSF

STR-LWY-4M-HT-IP-02-06

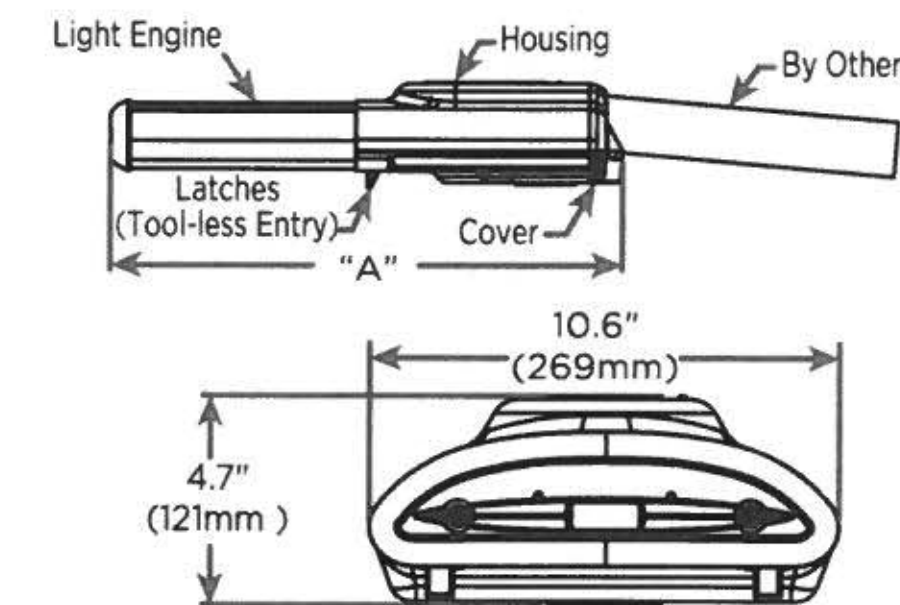
LEDway® IP66 Street Light - Type IV Medium - Horizontal Tenon Mount - 20-60 LEDs

Product Description

Luminaire housing is all aluminum construction. Standard luminaire utilizes terminal block for power input suitable for #2-#14 AWG wire. Luminaire is designed to mount on a 2" (51mm) IP, 2.375" (60mm) O.D. horizontal tenon or 1.25" (32mm) IP, 1.66" (42mm) O.D. horizontal tenon when ordered with XA-XIL125IP accessory kit and is adjustable +/- 5° to allow for luminaire leveling (two axis T-level included). Horizontal tenon must be minimum 8" (203mm) long.

Performance Summary

- Utilizes BetaLED® Technology
- Patented NanoOptic® Product Technology
- Made in the U.S.A. of U.S. and imported parts
- CRI: Minimum 70 CRI
- CCT: 5700K (+/- 500K) Standard, 4000K (+/- 300K)
- Limited Warranty¹: 10 years on luminaire/10 years on Colorfast DeltaGuard® finish
- EPA and Weight: Reference EPA and Weight spec sheet



LED Count (x10)	Dimension	Measurements
02	"A"	17.5" (443mm)
03	"A"	17.5" (443mm)
04	"A"	22.0" (559mm)
05	"A"	22.0" (559mm)
06	"A"	22.0" (559mm)

Accessories

Field Installed Accessories	
XA-BRDSPK30 (20-30 LEDs)	XA-XSLBLS30 (20-30 LEDs)
XA-BRDSPK60 (40-60 LEDs) Bird Spikes for Light Engine	XA-XSLBLS60 (40-60 LEDs) External Backlight Shield
XA-BRDSPKHSG Bird Spikes for Housing	XA-XIL125IP 1.25" (32mm) IP Pipe Sealing Kit

Ordering Information

Example: STR-LWY-4M-HT-02-E-UL-SV-525-IP-OPTIONS

STR-LWY	4M	HT		E				IP -
Product	Optic	Mounting	LED Count (x10)	Version	Voltage	Color Options*	Drive Current	Options
STR-LWY	4M Type IV Medium	HT Horizontal Tenon	02 03 04 05 06	E	UL Universal 120-277V UH Universal 347-480V	SV Silver (Standard) BK Black BZ Bronze PB Platinum Bronze WH White	525** 525mA 700 700mA	IP IP66 Classification 40K 4000K Color Temperature - Color temperature per luminaire DIM 0-10V Dimming - Control by others - Refer to dimming spec sheet for details - Can't exceed specified drive current F Fuse - Not available with all ML options. Refer to ML spec sheet for availability with ML options - When code dictates fusing, use time delay fuse HL Hi/Low (175/350/525 Dual Circuit Input) - Refer to ML spec sheet for details - Sensor not included ML Multi-Level - Refer to ML spec sheet for details N No Quick Disconnect Harness or Leveling Bubble - Standard product features unless N option is specified PD Power Door - All connections between door and luminaire are shipped unconnected from the factory; door release spring included to open door automatically when the latches are released R NEMA Photocell Receptacle - Not available with all ML options. Refer to ML spec sheet for availability with ML options - Photocell by others - Intended for downlight applications at 0° tilt SC Door Safety Tether - Stainless steel aircraft cable UTL Utility - Includes exterior wattage label that reflects watts for the drive current selected. The ability to exceed selected drive current will be disabled

¹ See www.cree.com/lighting/products/warranty for warranty terms.

* Light engine portion of extrusion is not painted and will remain natural aluminum regardless of color selection. ** Available on luminaires with 30-60 LEDs.



Rev. Date 03/21/2013

