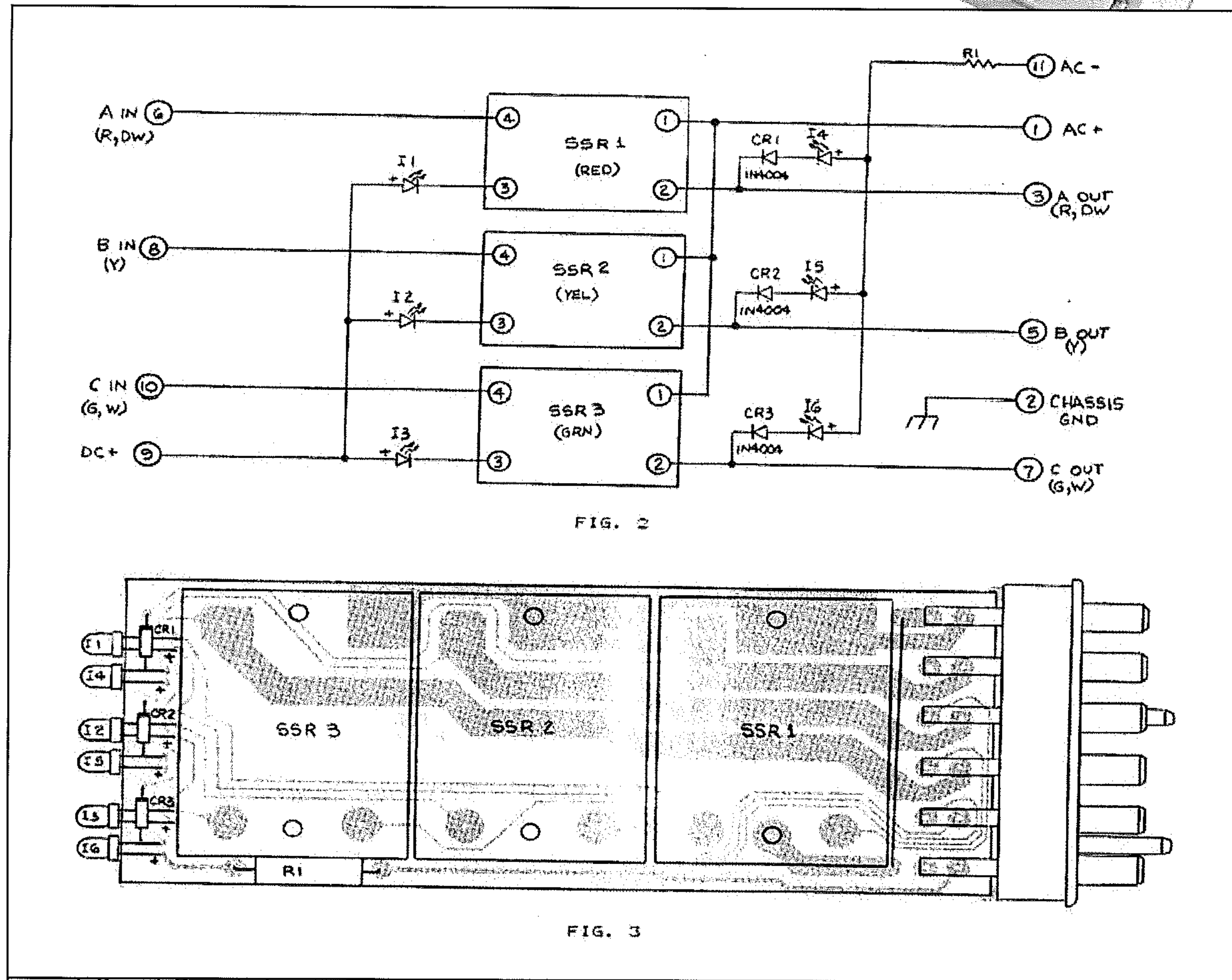
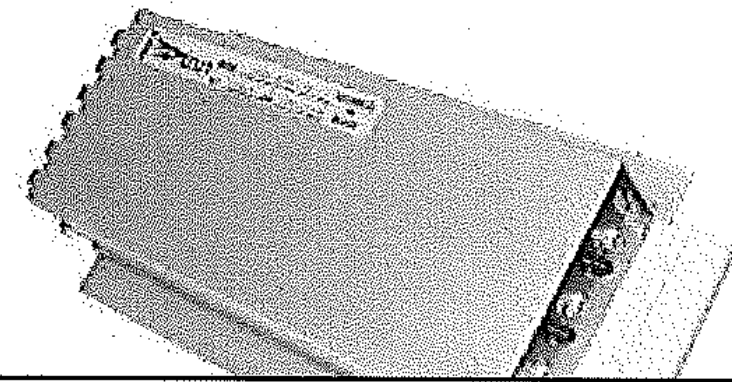


# DATA SHEET SSS-87IO



	Qty	Description	PDC P/N	MFG	MFG P/N	REF DES
	1	Label s/n	OO043	PDC	OO043	
	3	Solid State Relay, SSR-87	OO144	PDC	OO144	SSR1,2,3
	1	Chassis	OO204	PDC	OO204	
	1	Cover	OO206	PDC	OO206	
	1	Label, front panel	OO214-8	PDC	OO214-2	
	1	P.C. Board fab.	OO284	PDC	OO284	
	3	Diode, 1N4004	CR001	PDC	CR0001	CR1,2,3
	6	Screw, 8-32 x 3/8 brass	H0036			
	6	screw, 6-32 x 5/16	H0037			
	6	Nut, keps 6-32	H0038			
	1	Spacer	H0039			
	4	Screw, #5 x 3/8	H0040			
	8	Screw, 6-32 x 3/8	H0041			
		Screw, 6-32 x 1 3/16	H0043			
	1	Connector 12 pin	J0002	Beu	P5412-S	
	3	L.E.D. Clear Red	LD0004	G.I.	MV5020	I1,2,3
	3	L.E.D. Difused Red	LD0005	Litronics	RL2000	I4,5,6
	3	Resistor 5.6K 3W	R0060	TRW	PW3-5.6KM	R1