

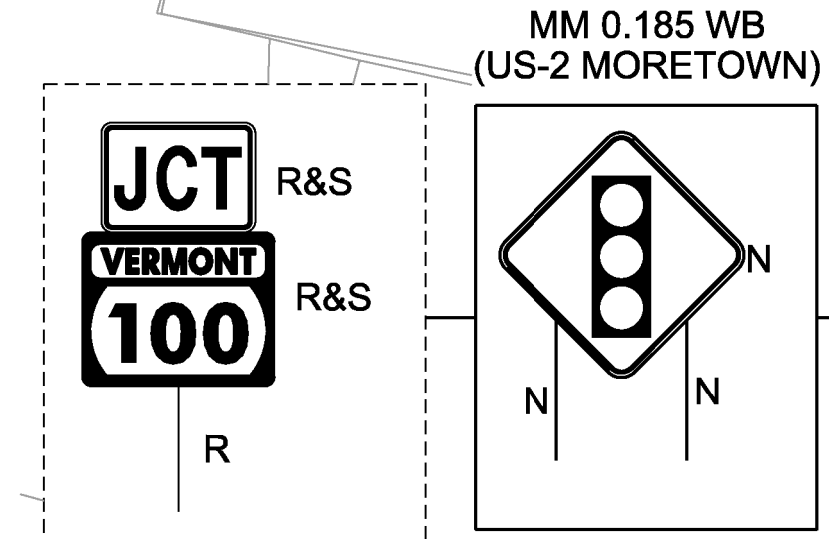
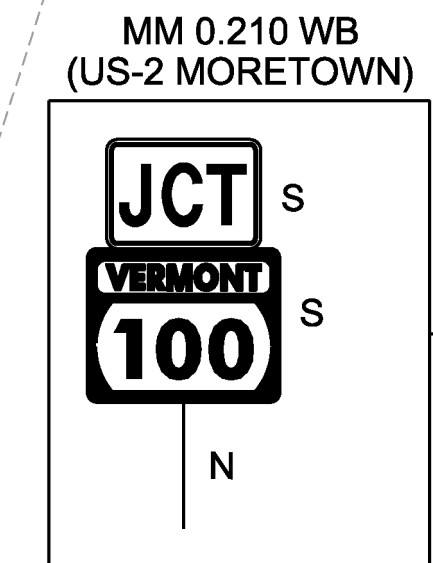
CONSTRUCT DRIVE
 STA. 63+49.5 LT - STA. 63+75.3 LT
 REMOVE DRIVE
 STA. 3+22.7 RT - STA. 3+60.5 RT

PORTLAND CEMENT CONCRETE SIDEWALK, 5 INCH
 STA 3+24.00 RT - STA 3+60.5 RT
 VERTICAL GRANITE CURB
 STA 3+24.00 RT - STA 3+60.5 RT
 REMOVAL OF EXISTING CURB
 STA 3+24.0 RT - STA 3+29.0 RT
 STA 3+55.9 RT - STA 3+60.5 RT
 EXCAVATION OF SURFACES AND PAVEMENTS
 STA 3+22.7 RT - STA 3+60.1 RT

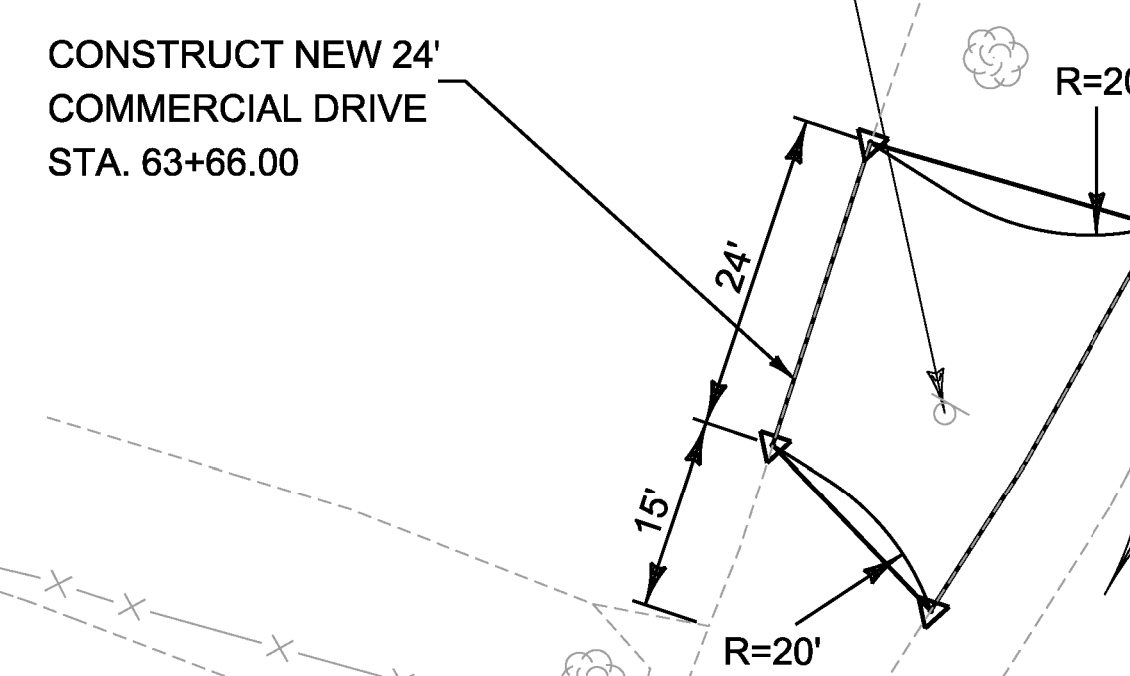
ALIGNMENT: US-2				
ELEMENT	POINT	STATION	NORTHING	EASTING
LINEAR	POB	2+00.00	665892.2852	1576157.3332
LINEAR	POE	5+86.64	665561.1022	1576356.8579

ALIGNMENT: VT ROUTE 100				
ELEMENT	POINT	STATION	NORTHING	EASTING
LINEAR	POB	57+93.01	665593.6393	1575616.6907
CURVE #1	PC	61+00.37	665589.8500	1575924.0293
	PI	62+57.12	665587.9176	1576080.7611
	PT	64+09.57	665647.8590	1576225.5907
LINEAR	POE	64+78.00	665674.0295	1576288.8236

CURVE #1 DATA:	
RADIUS:	763.94'
Δ:	23° 11' 23.38" LEFT
Dc:	7° 30' 00.13"
LENGTH:	309.2'
TANGENT:	156.74'
EXTERNAL:	15.91'



REMOVE EXISTING PAVEMENT AND PLACE TOPSOIL, FERTILIZER, SEED AND MULCH
 SAWCUTTING JOINT TO BE PAID INCIDENTAL TO EXCAVATION OF SURFACES AND PAVEMENTS



DURABLE 24" STOP BAR, POLYUREA
 STA 3+92 RT, 13'
 STA 5+05 LT, 12'
 4+48

DURABLE 4" WHITE LINE, POLYUREA
 AS DIRECTED BY THE ENGINEER

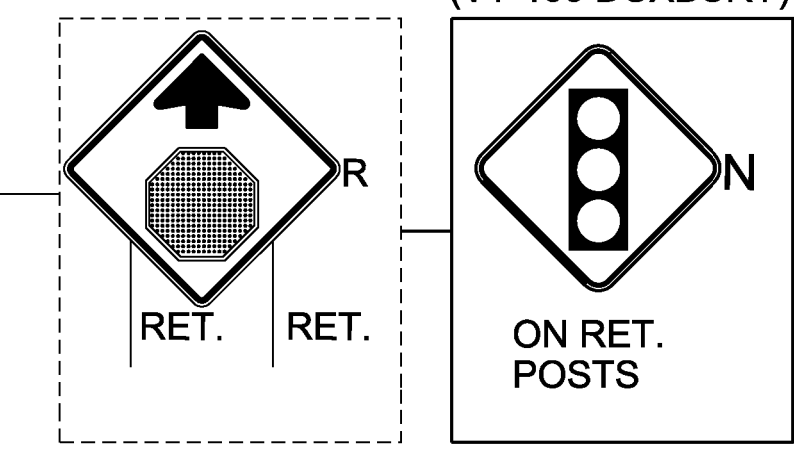
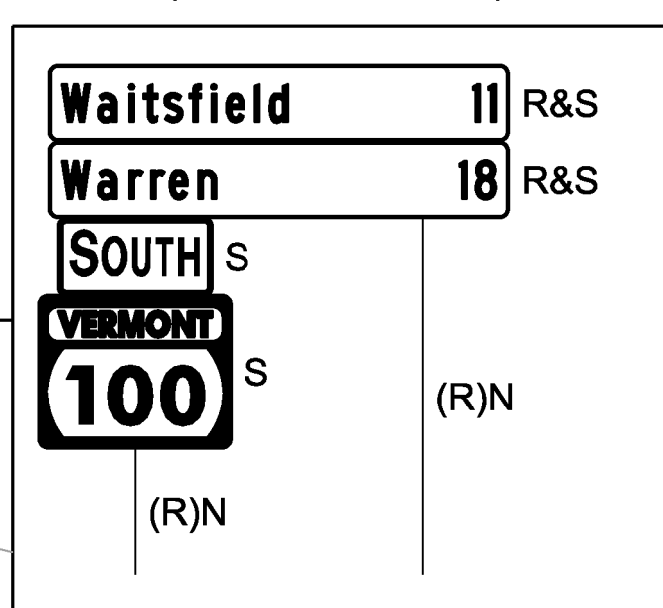
DURABLE 4" YELLOW LINE, POLYUREA
 AS DIRECTED BY THE ENGINEER

REMOVING SIGNS
 AS SHOWN - 8

ERECTING SALVAGED SIGNS
 AS SHOWN - 6

DURABLE LETTER OR SYMBOL, POLYUREA
 MM 6.165 NB (VT-100 DUXBURY) (SIGNAL AHEAD)
 MM 0.033 EB (US-2 DUXBURY) (SIGNAL AHEAD)
 MM 0.185 WB (US-2 MORETOWN) (SIGNAL AHEAD)

REMOVAL OF EXISTING PAVEMENT MARKINGS
 MM 6.165 NB (VT-100 DUXBURY) (STOP AHEAD)
 AND AS DIRECTED BY THE ENGINEER



LEGEND	
R	REMOVE
S	SALVAGE
R&S	REMOVE AND SALVAGE
RET.	RETAIN
(R)N	REMOVE AND REPLACE WITH NEW
N	NEW

PROJECT NAME: WATERBURY AREA
 PROJECT NUMBER: STP WKZN(9) C/2

FILE NAME: t13k670nu.dgn
 PROJECT LEADER: P. COBURN
 DESIGNED BY: I. DEGUTIS
 LAYOUT SHEET

PLOT DATE: 10/21/2014
 DRAWN BY: I. DEGUTIS
 CHECKED BY: M. LACROIX
 SHEET 8 OF 13

