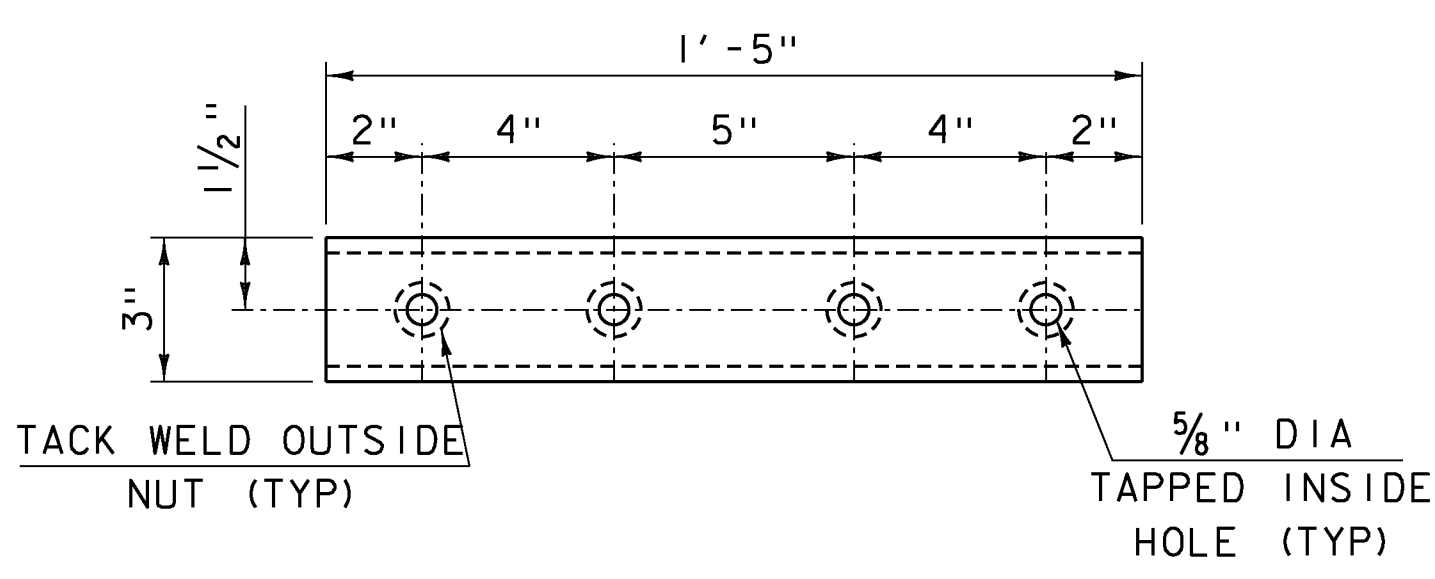


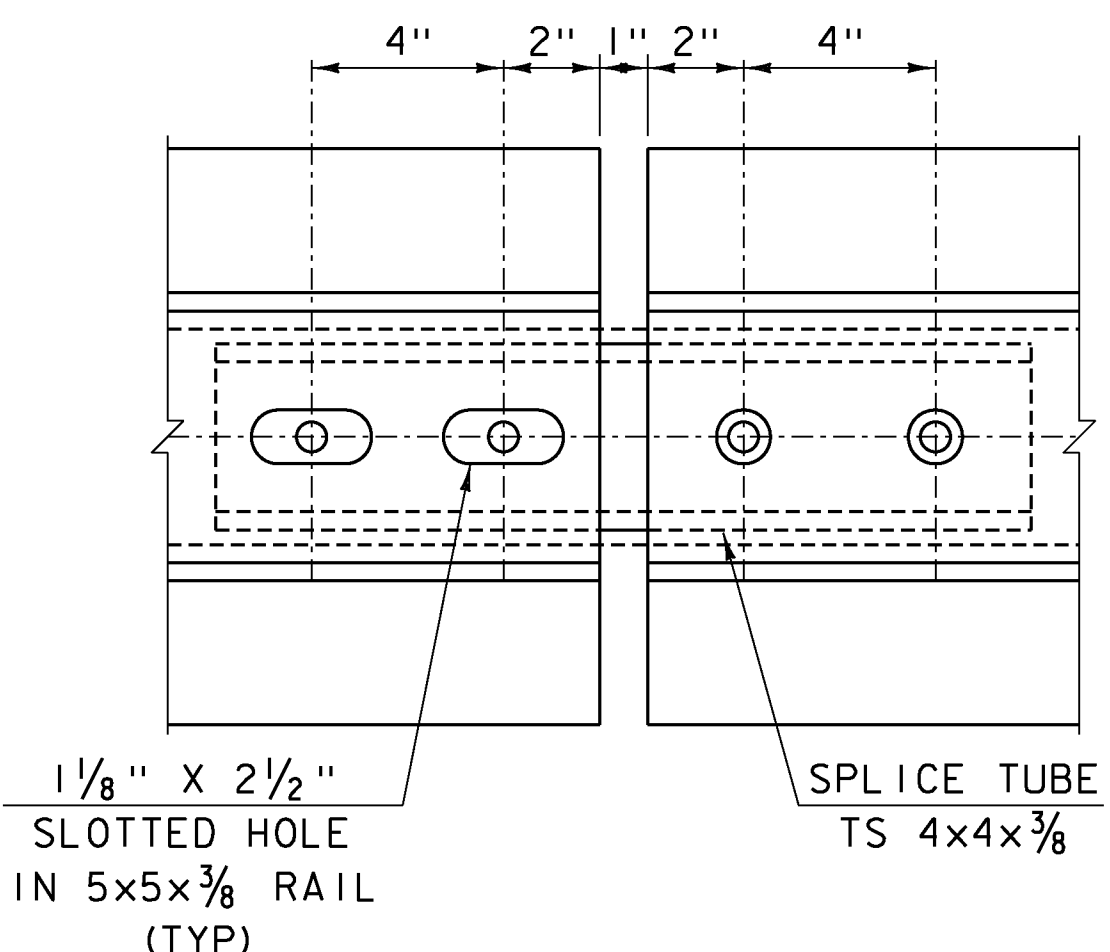
BOTTOM RAIL SPLICE TUBE DETAIL

TS 5x4x5 3/8"
SCALE 3" = 1'-0"



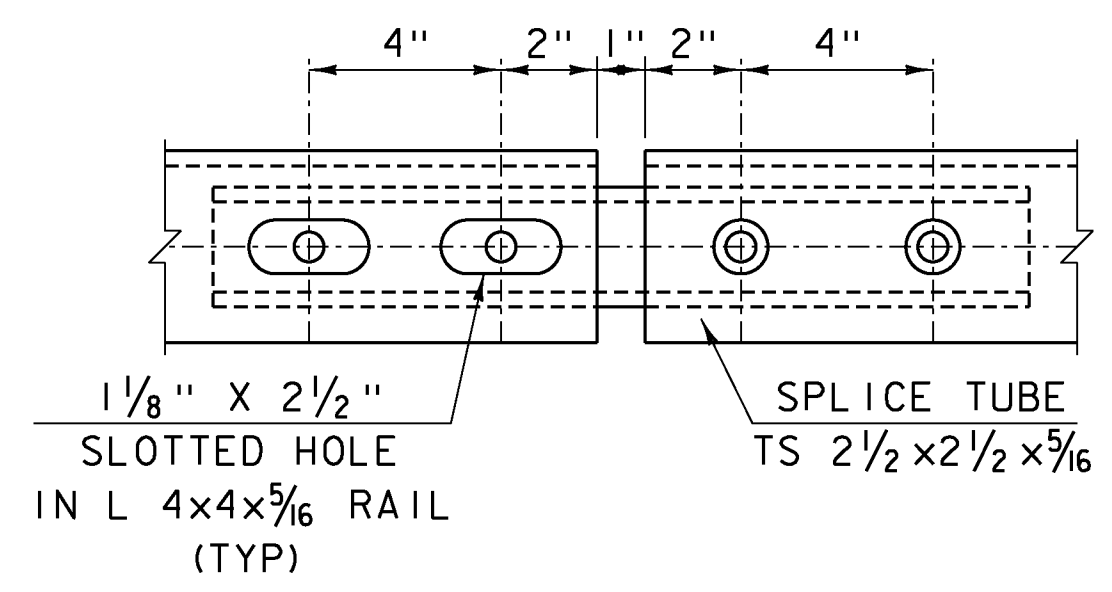
TOP RAIL SPLICE TUBE DETAIL

TS 3x3x3/8"
SCALE 3" = 1'-0"



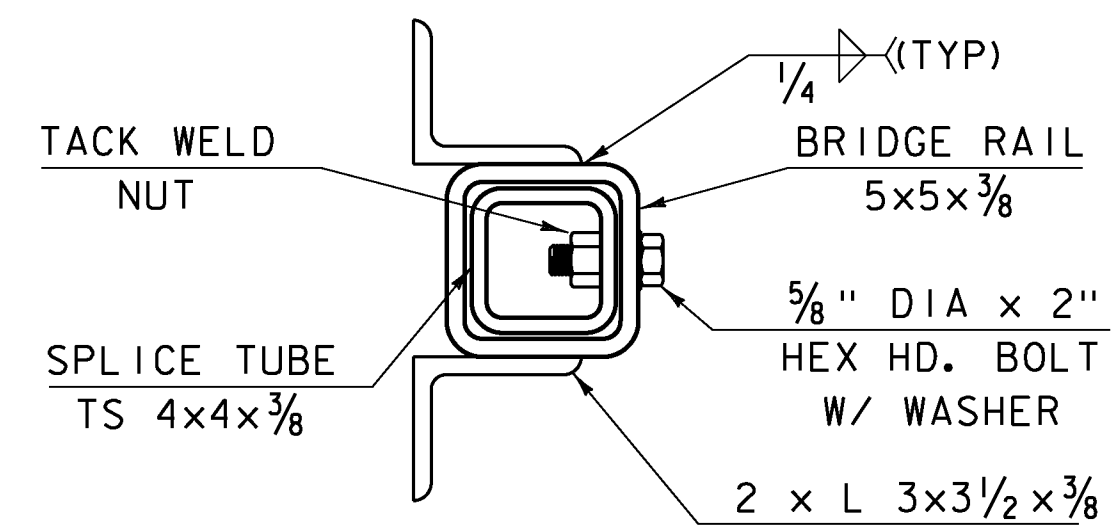
BOTTOM RAIL SPLICE DETAIL

SCALE 3" = 1'-0"



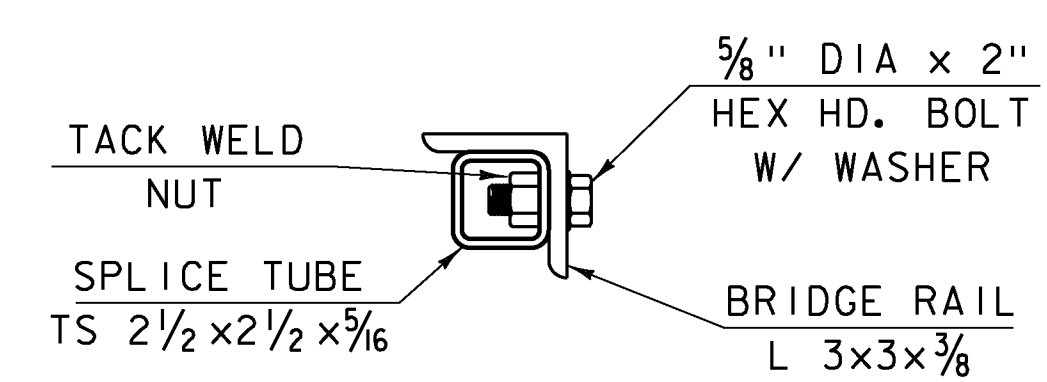
TOP RAIL SPLICE DETAIL

SCALE 3" = 1'-0"



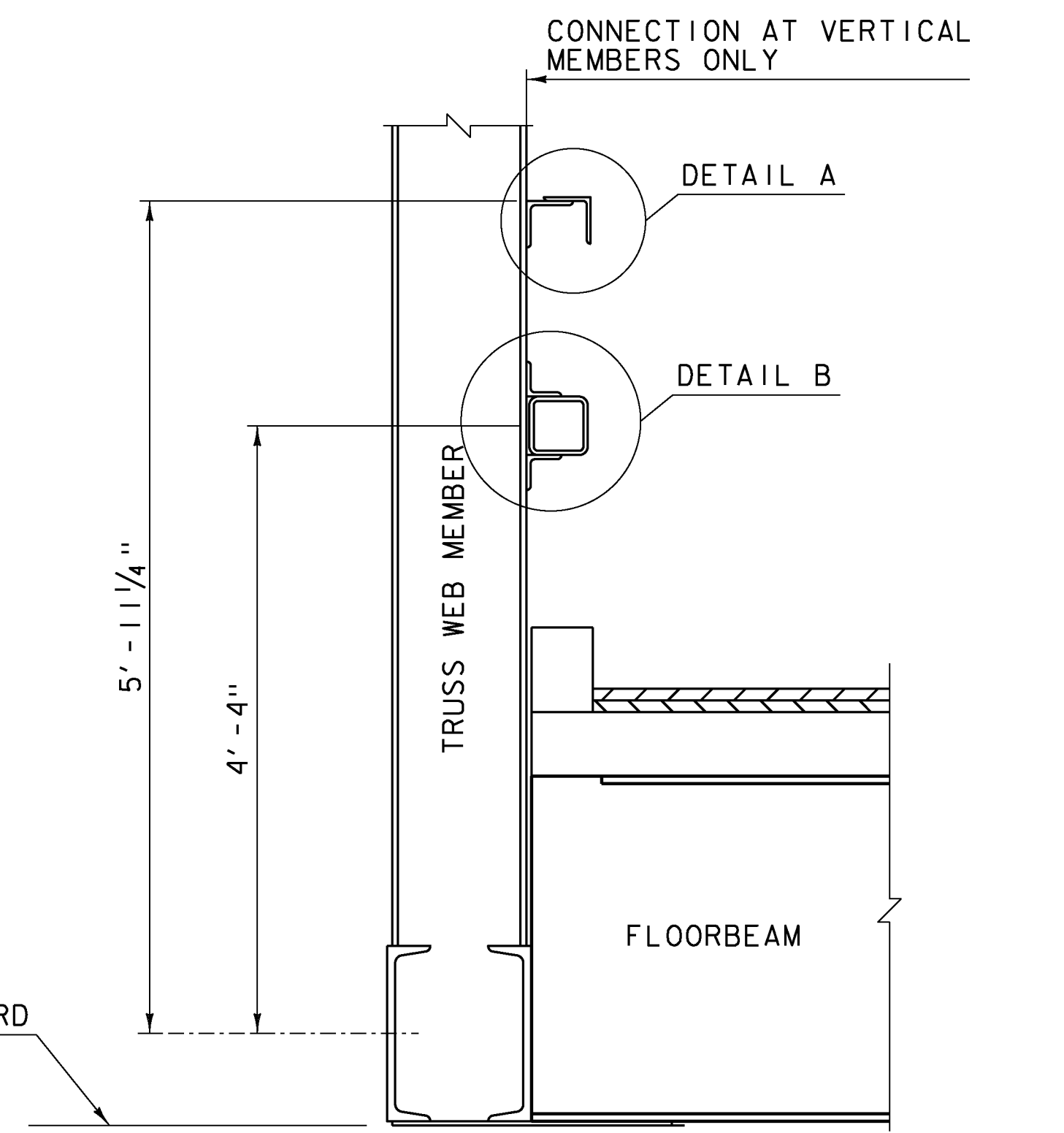
BOTTOM RAIL SPLICE SECTION

SCALE 3" = 1'-0"



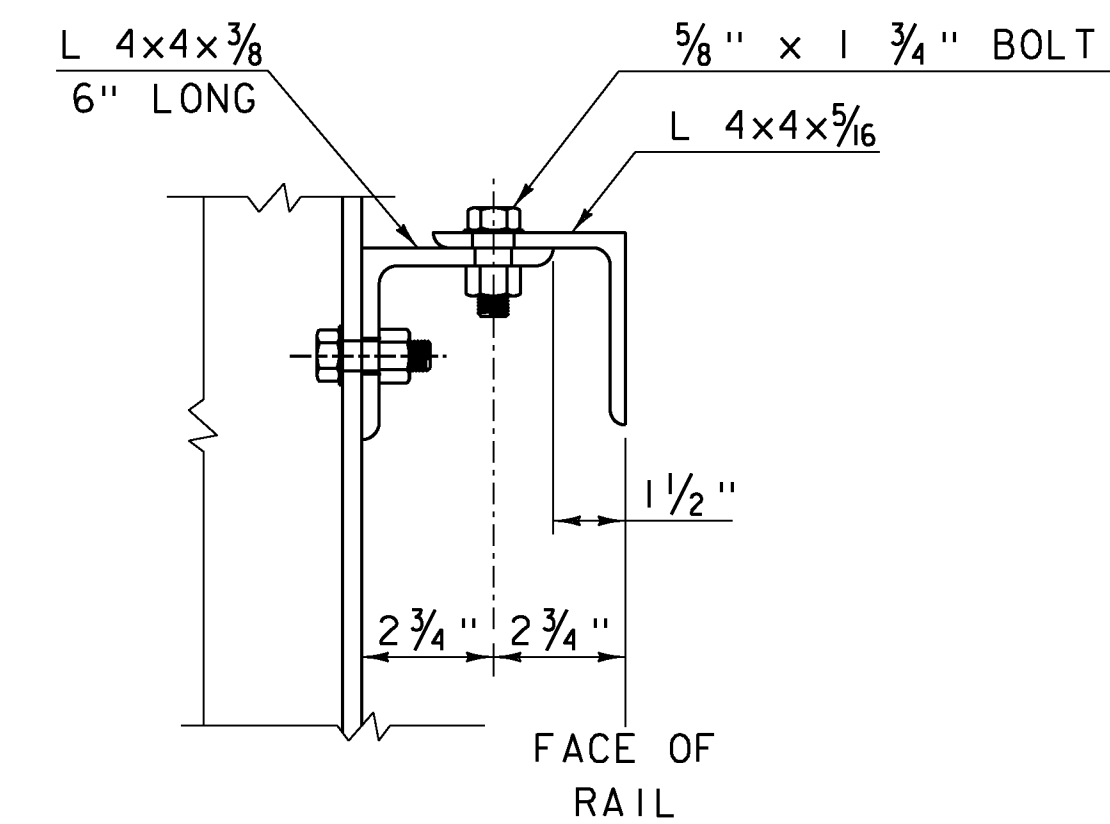
TOP RAIL SPLICE SECTION

SCALE 3" = 1'-0"



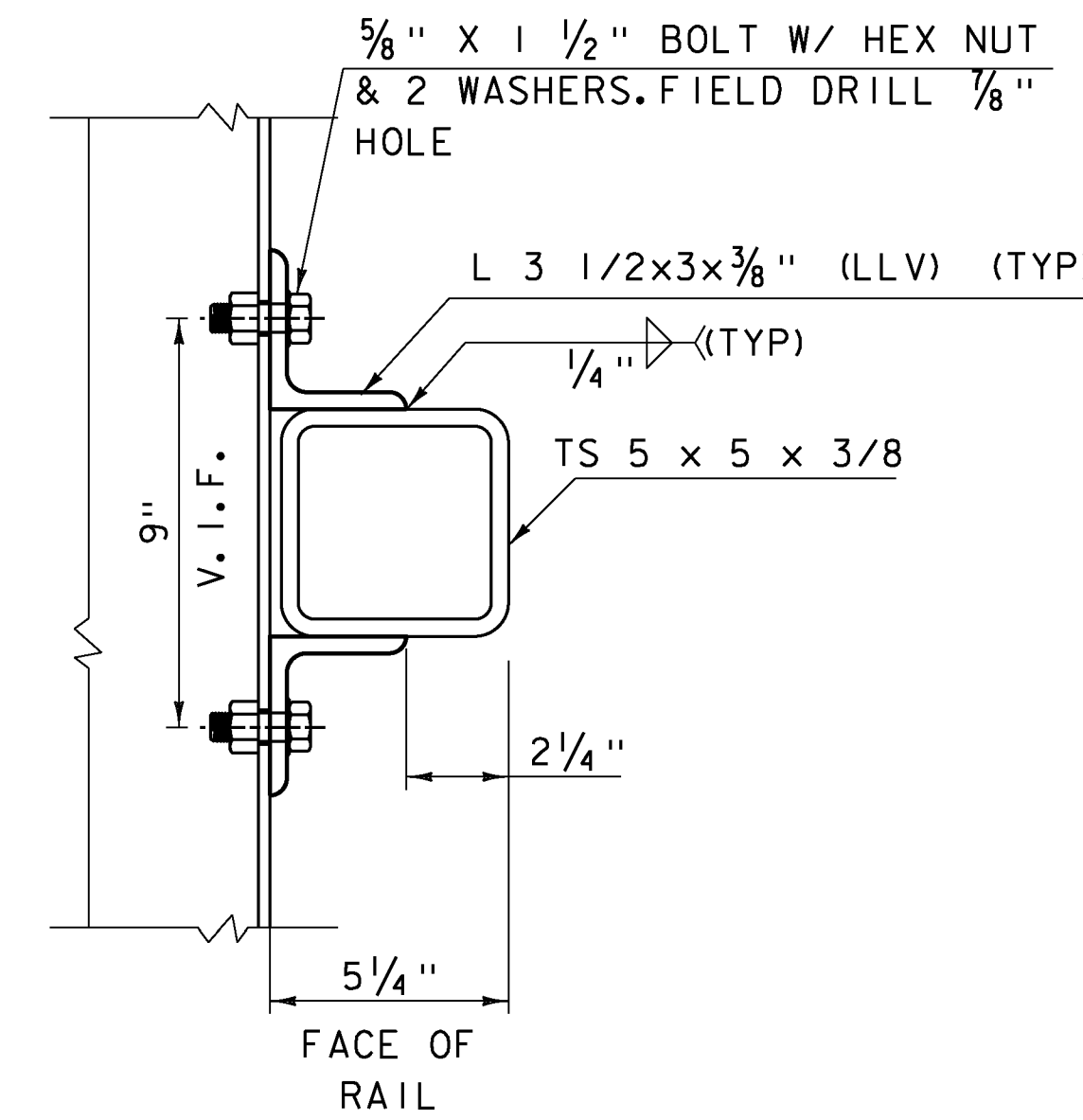
TYPICAL RAILING SECTION

SCALE 1" = 1'-0"



DETAIL A

SCALE 3" = 1'-0"



DETAIL B

SCALE 3" = 1'-0"

PROJECT NAME: MONTPELIER
PROJECT NUMBER: BF BPNT (17)

FILE NAME: z13j290framing.dgn
PROJECT LEADER: T. KNIGHT
DESIGNED BY: T. KNIGHT
RAILING DETAILS 2

PLOT DATE: 5/12/2014
DRAWN BY: L. BUXTON
CHECKED BY: T. KNIGHT
SHEET 8 OF 16

