

Accepted

BY: Rob Young

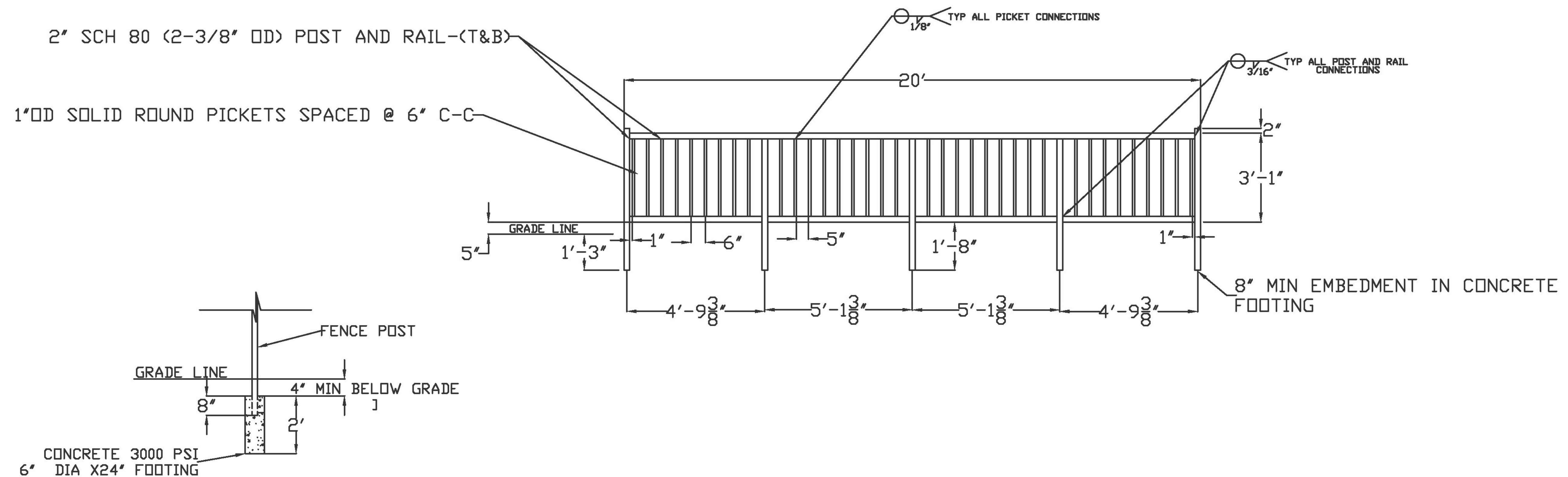
DATE: 03/30/2018

RESUBMIT: No

RECEIVED: March 30, 2018

CKD BY: RSY

STATE OF VERMONT
AGENCY OF TRANSPORTATION



TYPICAL POST CONCRETE POST DETAIL

GENERAL FABRICATION NOTES:

1. ALL RAILING MATERIALS INCLUDING WELDING ELECTRODES MUST MEET THE REQUIREMENTS OF BUY AMERICA
2. POST & RAILS SHALL BE SCH 80 PIPE, PICKETS SHALL BE A36 SOLID ROUND BAR
3. ALL MATERIAL TO BE HOT DIPPED GALVANIZED AFTER FABRICATION MEETING REQUIREMENTS OF VTRANS SECTION 726.08.
4. RAILING SHALL BE POWDER COATED BLACK AFTER GALVANIZING.
5. GALVANIZING AND POWDER COATING WILL BE PERFORMED BY Duncan Galvanizing in Everett, MA
6. NOTIFY VTRANS (Ryan Foster) A MINIMUM OF 7 DAYS BEFORE FABRICATION BEGINS TO SCHEDULE SHOP INSPECTION
7. NON SHRINK GROUT FROM THE APPROVED PRODUCT LIST USE WILL BE USED TO GROUT RAIL POSTS.
8. RENAUD BROTHERS CONSTRUCTION IS THE FABRICATOR. RYAN FOSTER HAS THE REQUIRED INFORMATION ON WELDERS AND THEIR QUALIFICATIONS

COLD RIVER BRIDGES, LLC

10 LANBRO LANE

WALPOLE, NH

TEL 603-756-9300

FAX 603-756-9303

VTRANS PROJECT

WOODSTOCK VILLAGE BF 020-2 (43)

FABRICATOR: RENAUD BROTHERS CONST.

SHEET NUMBER

PEDESTRIAN RAIL

R1

REV#4

DATE: 1/5/18