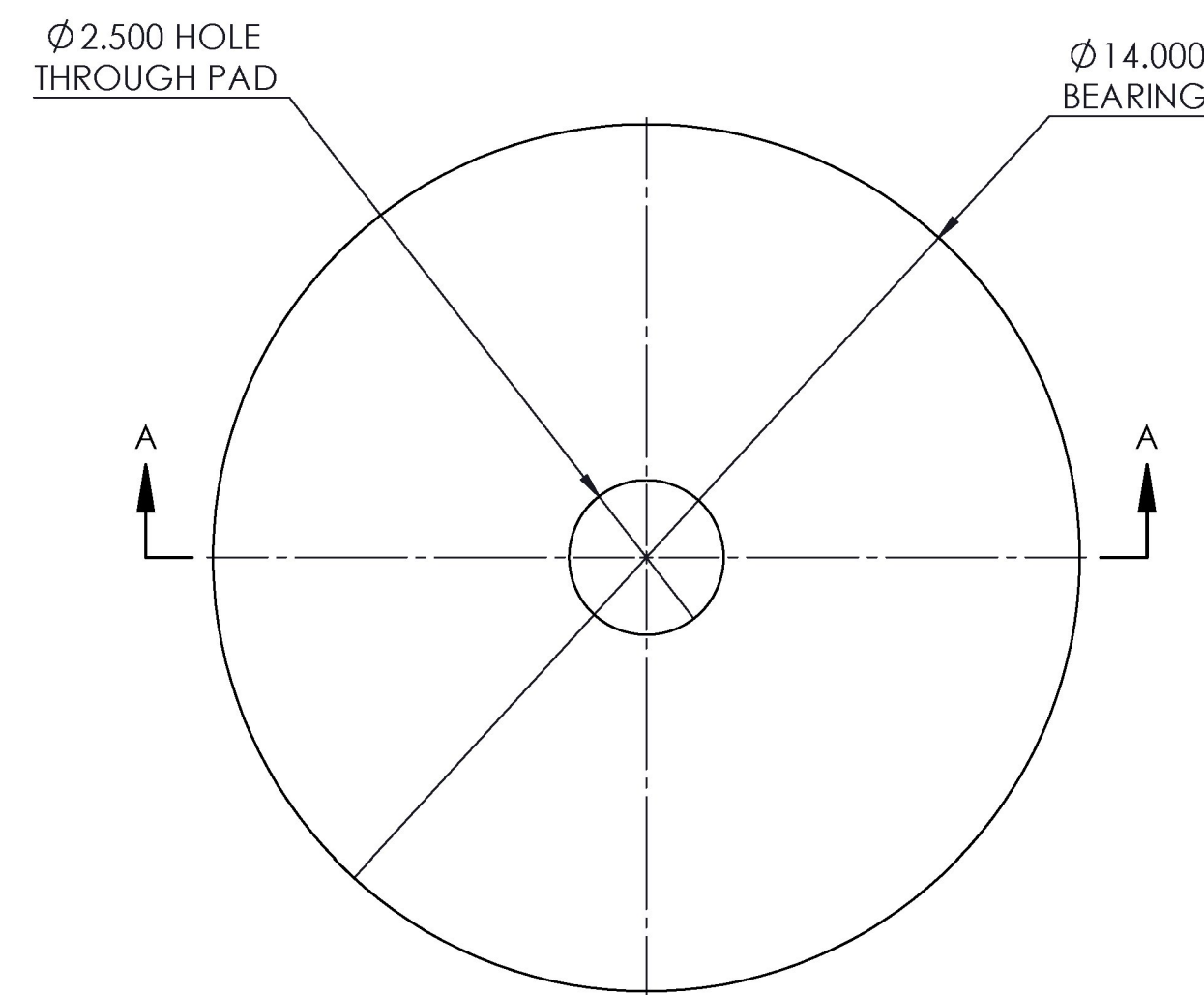
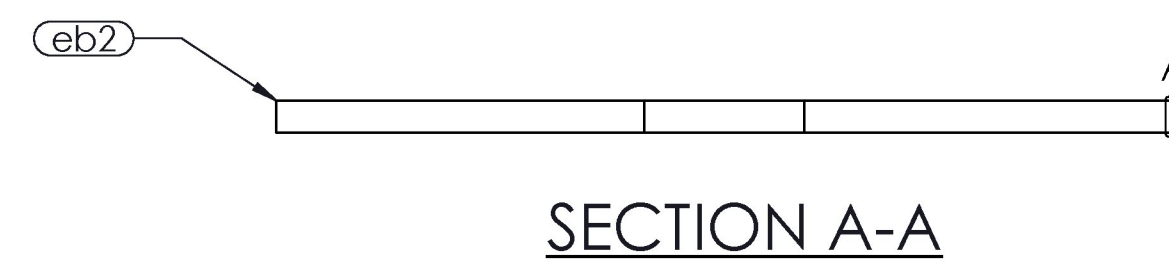


LOAD DATA	
DEAD LOAD	10.225 KIPS

ASSEMBLY SCHEDULE		
MK	Location	QTY.
2B1	BRIDGE SEAT 2	14
2SB2	SAMPLE	2



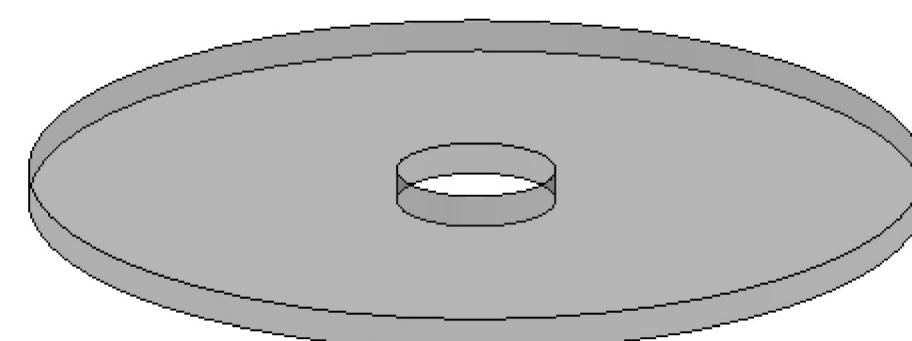
PLAN VIEW  
(SEE ASSEMBLY SCHEDULE)



SECTION A-A



DETAIL A



Vermont Agency of Transportation

**RECEIVED**

Woodstock BF 020-2(43) Bearings\_Approved 01-26-18.pdf

CK'D BY Stephen Coley OK'D BY Rob Young

January 16, 2018

RESUBMIT NO Approved  
BY Rob Young DATE 01/26/2018

MK	QTY.	Thick	Dia.	Width	Length	Part	Material	Coating	Remarks	WT	Oracle Seed
2B1	14					VERSIFLEX ELASTOMERIC PAD				3.5	1102-BA
eb2	1	0.500	14.000			Elastomeric Pad	60+/-5 DURO GR. 5 Natural Rubber	Plain		3.5	
2SB2	2					VERSIFLEX ELASTOMERIC PAD			SAMPLES TO LAB	3.5	1102-BA
eb2	1	0.500	14.000			Elastomeric Pad	60+/-5 DURO GR. 5 Natural Rubber	Plain		3.5	

TOLERANCE TABLE	
DESCRIPTION	TOLERANCE (INCHES U.N.O.)
PLAIN PAD BEARING DESIGN THICKNESS < 1.250"	-0, +0.1181
PLAIN PAD BEARING DESIGN THICKNESS > 1.250"	-0, +0.2362
PLAIN PAD BEARING PLAN DIMENSIONS < 36"	-0, +0.2362
PLAIN PAD BEARING PLAN DIMENSIONS > 36"	-0, +0.4724
PLAIN PAD BEARING HOLE OR SLOT SIZE	±0.1181
PLAIN PAD BEARING HOLE OR SLOT LOCATION	±0.1181
VARIATION FROM A PLANE PARALLEL TO THE THEORETICAL SURFACE (AS DETERMINED BY MEASUREMENTS AT THE EDGE OF THE BEARINGS) (PARALLELISM):	
TOP & BOTTOM	±0.005 RAD
SIDES	±0.2362

**GENERAL NOTES:**

- ALL MATERIALS SHALL CONFORM TO THE 2011 VERMONT DEPARTMENT OF TRANSPORTATION STANDARD SPECIFICATIONS FOR CONSTRUCTION.
- THIS SHOP DRAWING WAS PREPARED IN ACCORDANCE WITH THE CONTRACT PLANS AND SPECIFICATIONS. THE D.S. BROWN COMPANY DOES NOT ACCEPT LIABILITY FOR THE DESIGN OF THE PRODUCTS DETAILED IN THIS SHOP DRAWING.
- THE D.S. BROWN COMPANY TO SUPPLY ONLY THE PARTS SHOWN ON THIS DRAWING.
- THE BEARINGS SHALL BE SAMPLED AND TESTED IN ACCORDANCE WITH AASHTO M251.
- WELDING PROCEDURES, IF APPLICABLE, SHALL BE ESTABLISHED BY THE CONTRACTOR TO RESTRICT THE MAXIMUM TEMPERATURE REACHED BY SURFACES IN CONTACT WITH THE ELASTOMER TO 200°F (93°C). TEMPERATURES SHALL BE DETERMINED BY TEMPERATURE INDICATING WAX PENCILS OR OTHER SUITABLE MEANS.

REV.	DESCRIPTION	DATE	DET.	CKD.
	LOCATION — WOODSTOCK VILLAGE			
	PROJECT — BF 020-2(43)			
	CUSTOMER — COLD RIVER BRIDGES LLC			
	DESCRIPTION: VERSIFLEX ELASTOMERIC PAD WINDSOR COUNTY, VERMONT	SCALE: N.T.S.	DRAWN BY: RTP	CHECKED BY: EMF
		DATE: 12/6/17	RELEASE: INCHES	SHEET: 02
		PROJECT NUMBER: 54184	PRODUCT CODE: 1102	



300 E. CHERRY STREET  
NORTH BALTIMORE, OHIO 45872  
419.257.3561  
FAX: 419.257.0332  
WWW.DSBROWN.COM



**PRELIMINARY DRAWING**