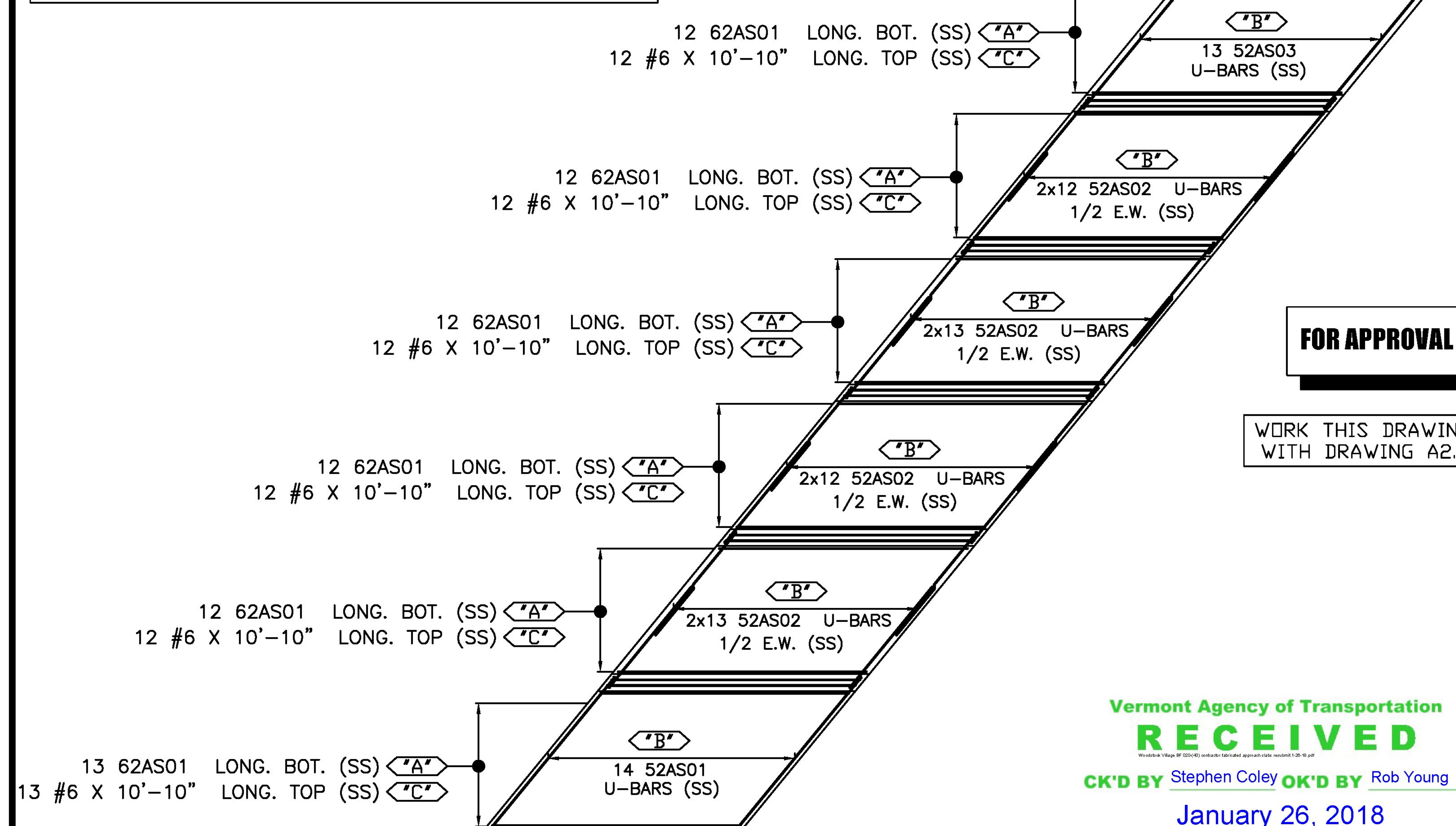


ALL REINF. STAINLESS STEEL



FOR APPROVAL

WORK THIS DRAWING WITH DRAWING A2.1

Vermont Agency of Transportation
RECEIVED
CK'D BY Stephen Coley OK'D BY Rob Young
January 26, 2018
RESUBMIT No Approved
BY Rob Young DATE 02-06-2018

LEGEND:

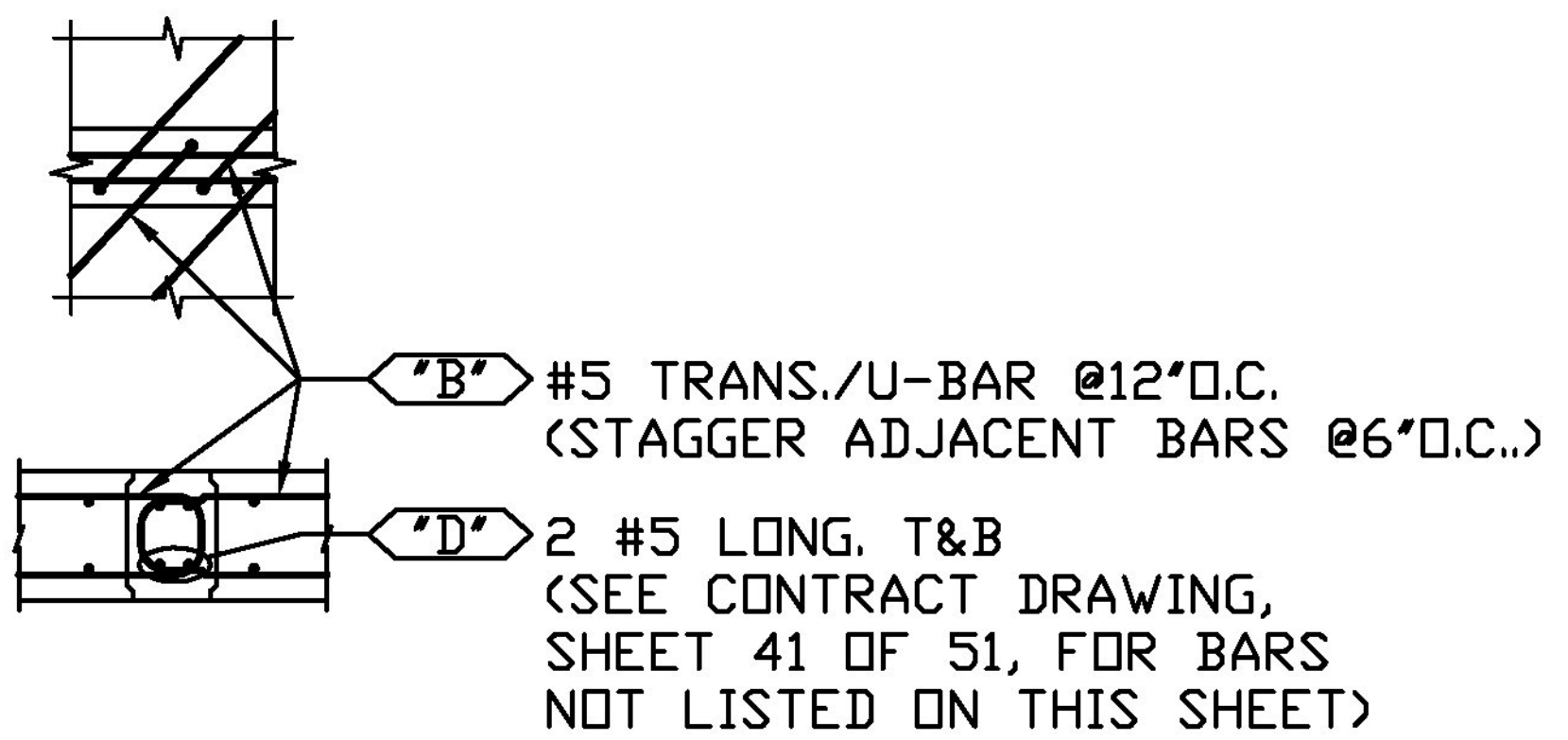
CONT.-CONTINUOUS	E.E.-EACH END
TRANS.-TRANSVERSE	E.F.-EACH FACE
DWLS.-DOWELS	F.F.-FRONT FACE
VERTS.-VERTICAL	R.F.-REAR FACE
HORIZ.-HORIZONTAL	E.W.-EACH WAY
T&B -TOP & BOTTOM	O.C.-ON CENTER
I.F.-INNER FACE	L.W.-LONG WAY
O.F.-OUTER FACE	S.W.-SHORT WAY

ELEVATIONS & DIMENSIONS SHOWN ON THIS DWG. ARE FOR REINF. DETAILING PURPOSES ONLY AND ARE NOT INTENDED FOR DIMENSIONAL CONSTRUCTION.

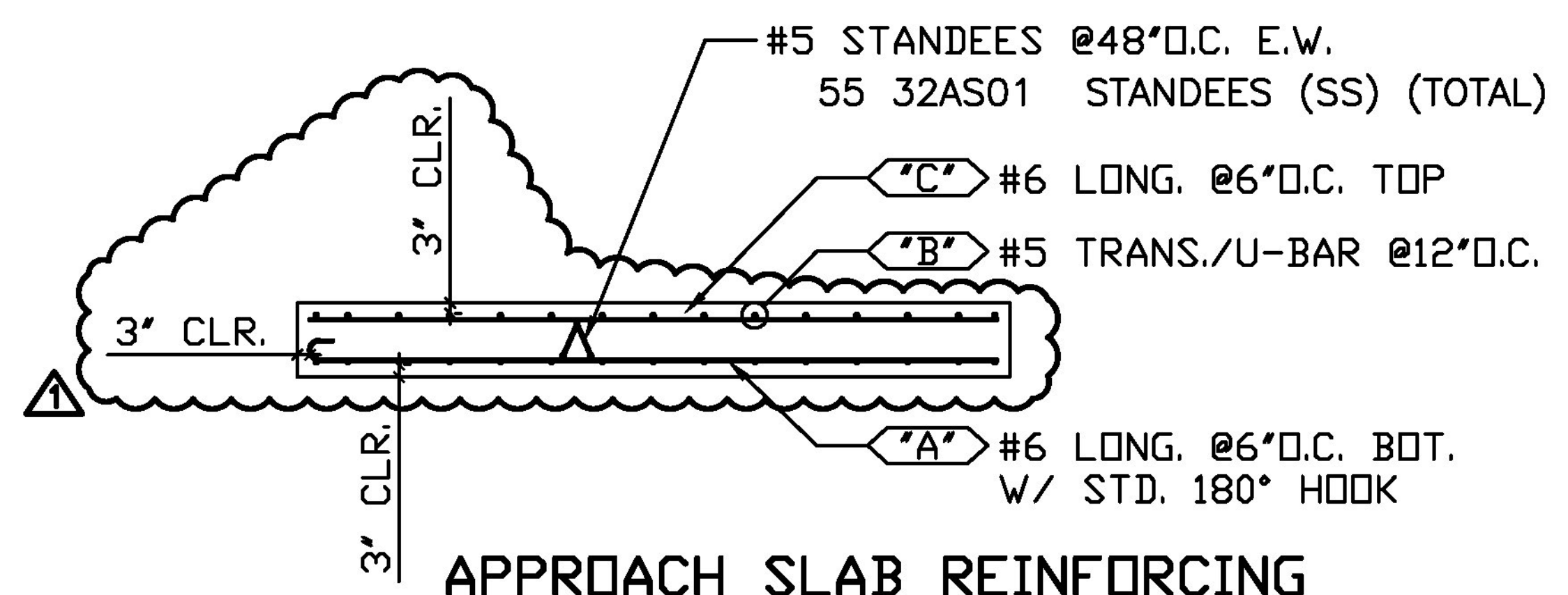
STAINLESS STEEL REINF. BARS ASTM A955 GRADE 60, MARKED (.3)

VERIFICATION OF UNCLEAR INFORMATION MAY BE REQUESTED ON THIS DRAWING. SHOULD VERIFICATION BE LEFT UN-ADDRESSED IT WILL REMAIN AS SHOWN AND ASSUME TO BE CORRECT.

6			
5			
4			
3			
2	1/16/18	▲	REVISED AS NOTED/FOR APPROVAL
1	12/5/17	-	FOR APPROVAL
	DATE	REV.#	SENT FOR
DIMENSION DIMENSION FABRICATORS INC. www.dimensionfabricators.com 2000 7TH STREET SCOTIA, N.Y. 12302 PH: (518) 374-1936 FAX (518) 374-4830			
STRUCTURE	VTAOT WOODSTOCK BF 020-2(43)		
LOCATION	US RTE 4 (CENTRAL AVE) OVER KEDRON BROOK WOODSTOCK, VT		
ARCHITECT			
ENGINEER	VHB		
CUSTOMER	COLD RIVER BRIDGES, LLC		
DRAWN BY	DATE	DPI #	
SDB	12/4/17	10551	
DRAWING COVERS		DRAWING #	
APPROACH NO. 2		A2	



SECTION 1-CONNECTION DETAIL
CONTRACT DWG. REF. 39 OF 73



APPROACH SLAB REINFORCING
CONTRACT DWG. REF. RFI #1