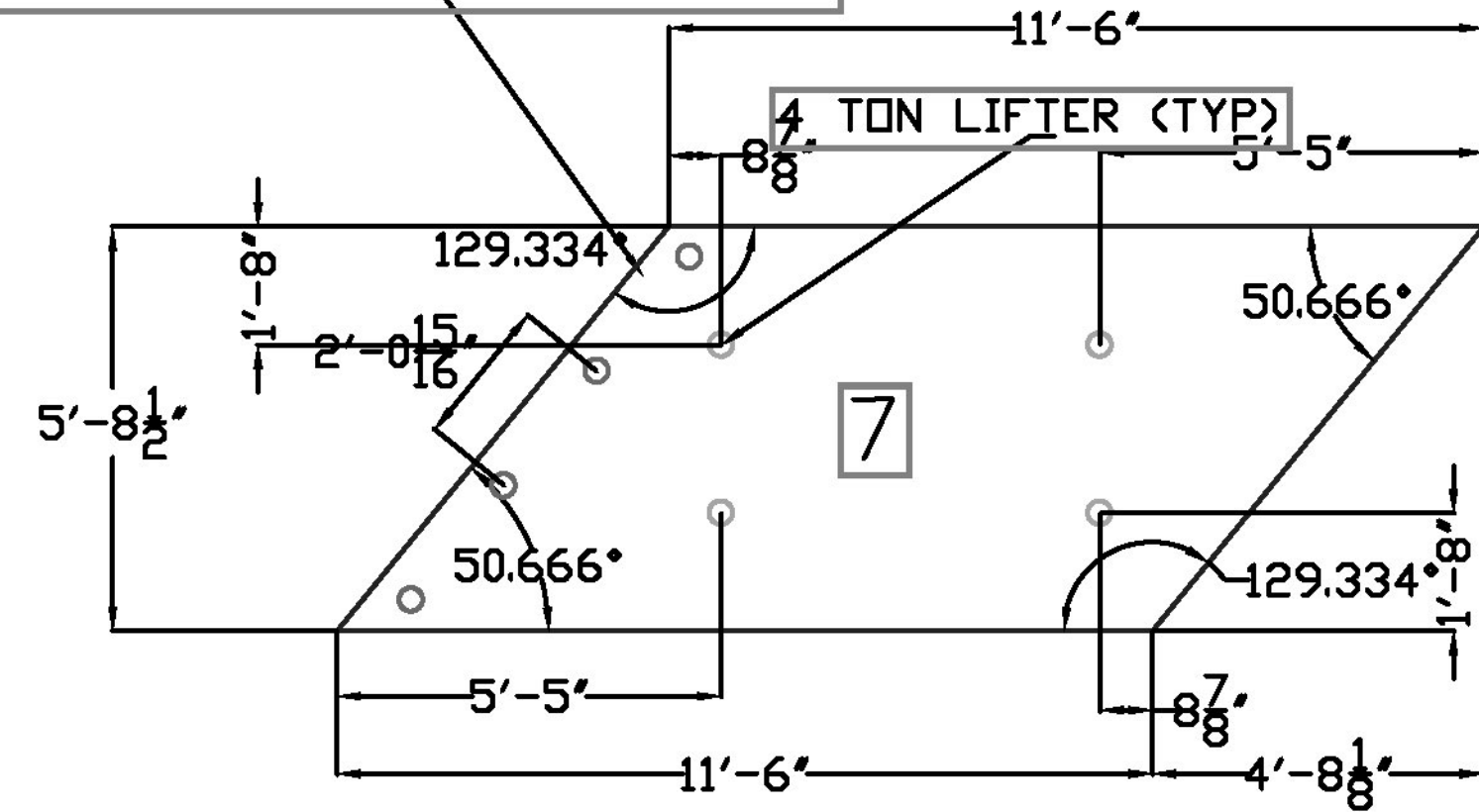
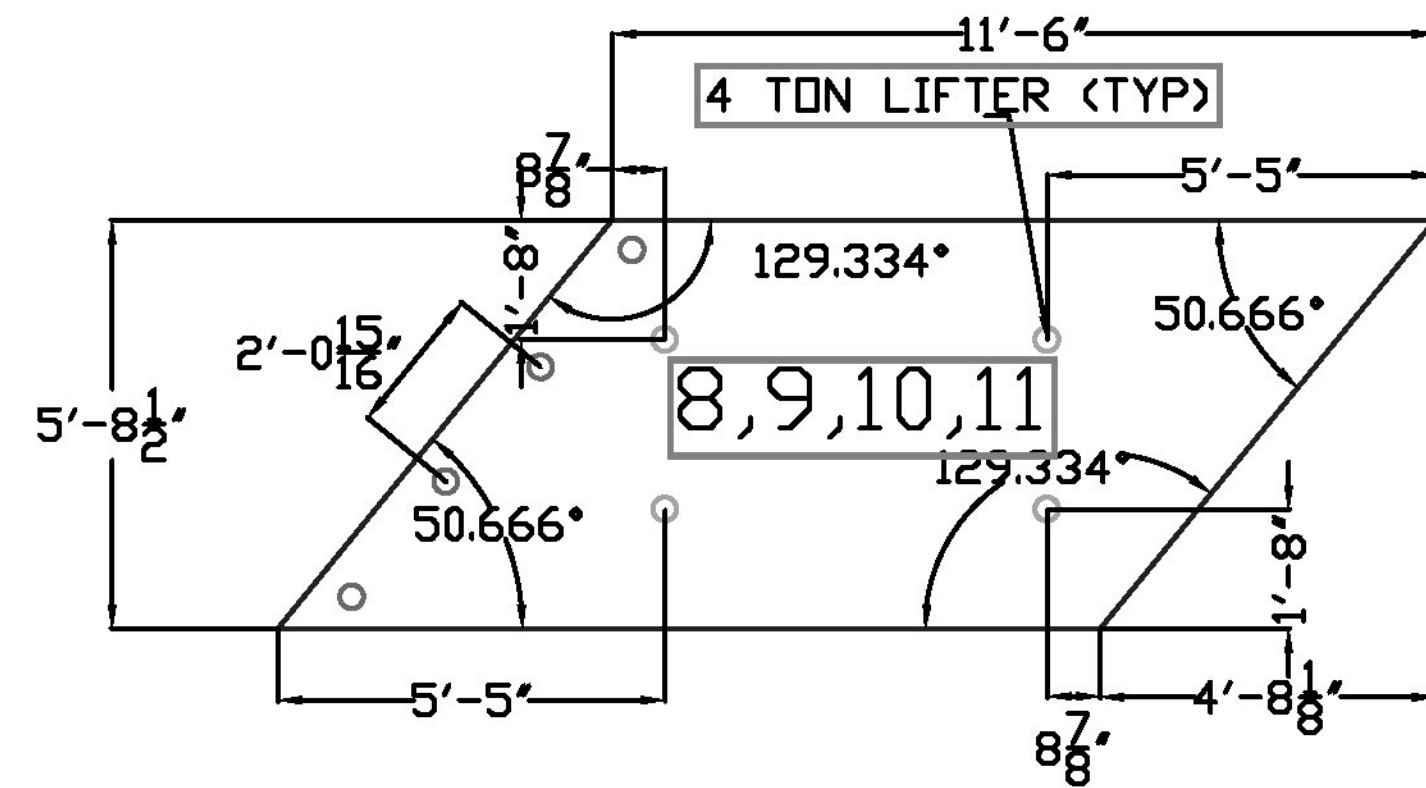


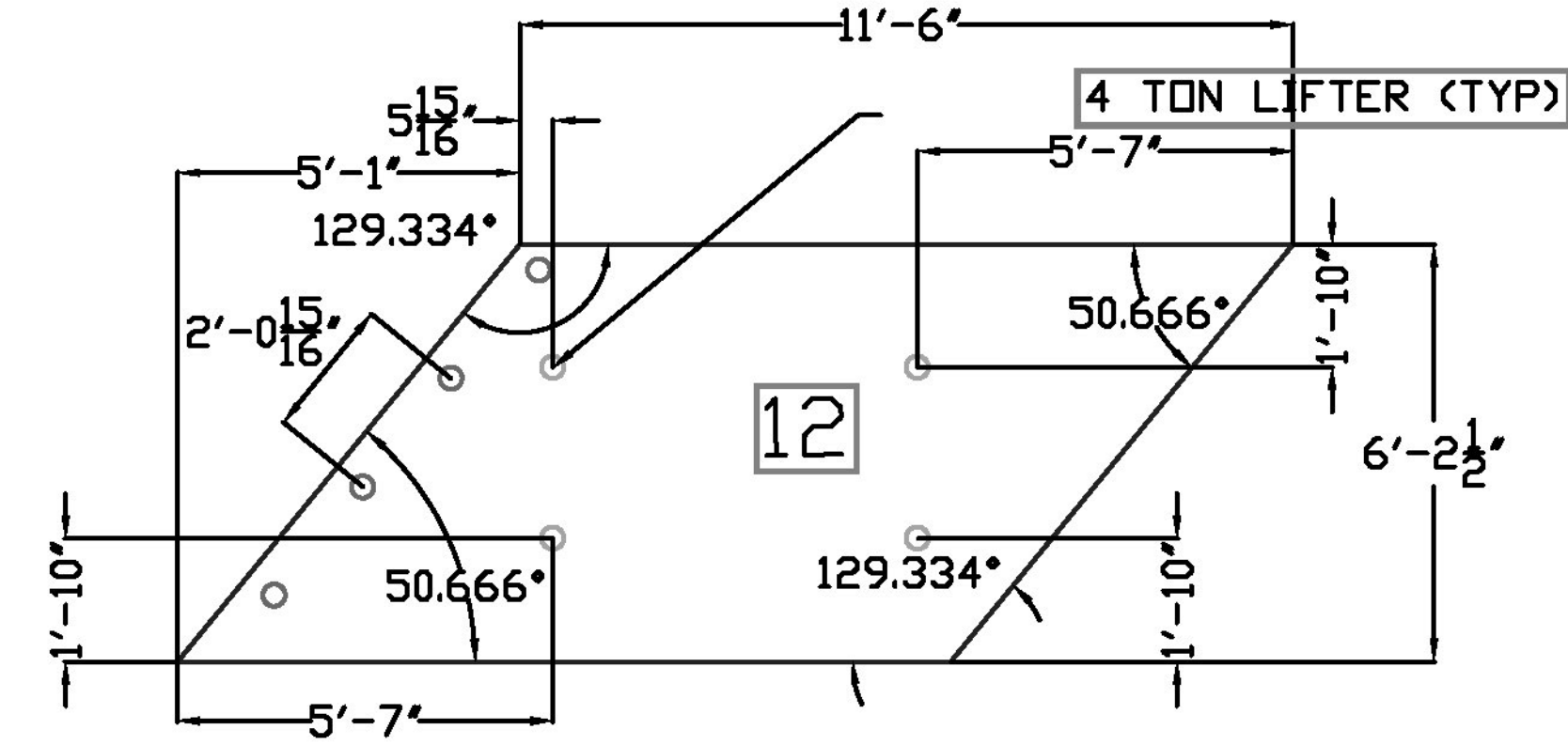
4" DIA SLEEVE (TYPICAL ALL SLABS)
white polypropylene corrugated duct meeting
the requirements of ASTM d4104 see sheets 6-7
for detailed lay-out information



APPROACH SLAB # 7
VOLUME-3.55CY
WEIGHT-14,382LBS



APP. SLAB # 8,9,10,11
VOLUME-3.65CY
WEIGHT-14,793LBS



APP. SLAB # 12
VOLUME-3.75CY
WEIGHT-15,210LBS

Vermont Agency of Transportation

RECEIVED

Woodstock Village BF 020-2 (43) contractor fabricated approach slabs resubmit 1-26-18.pdf

CK'D BY Stephen Coley OK'D BY Rob Young

January 26, 2018

RESUBMIT No **Approved**

BY Rob Young DATE 02-06-2018

COLD RIVER BRIDGES, LLC

10 LANBRO LANE
TEL 603-756-9300 WALPOLE, NH FAX 603-756-9303

PRE-CAST APPROACH SLABS

WOODSTOCK VILLAGE BF 020-2 (43)

A.S. 7-12 REV 1
REVISION #1 1/26/18

SHEET NUMBER

5

DATE: 12/22/17