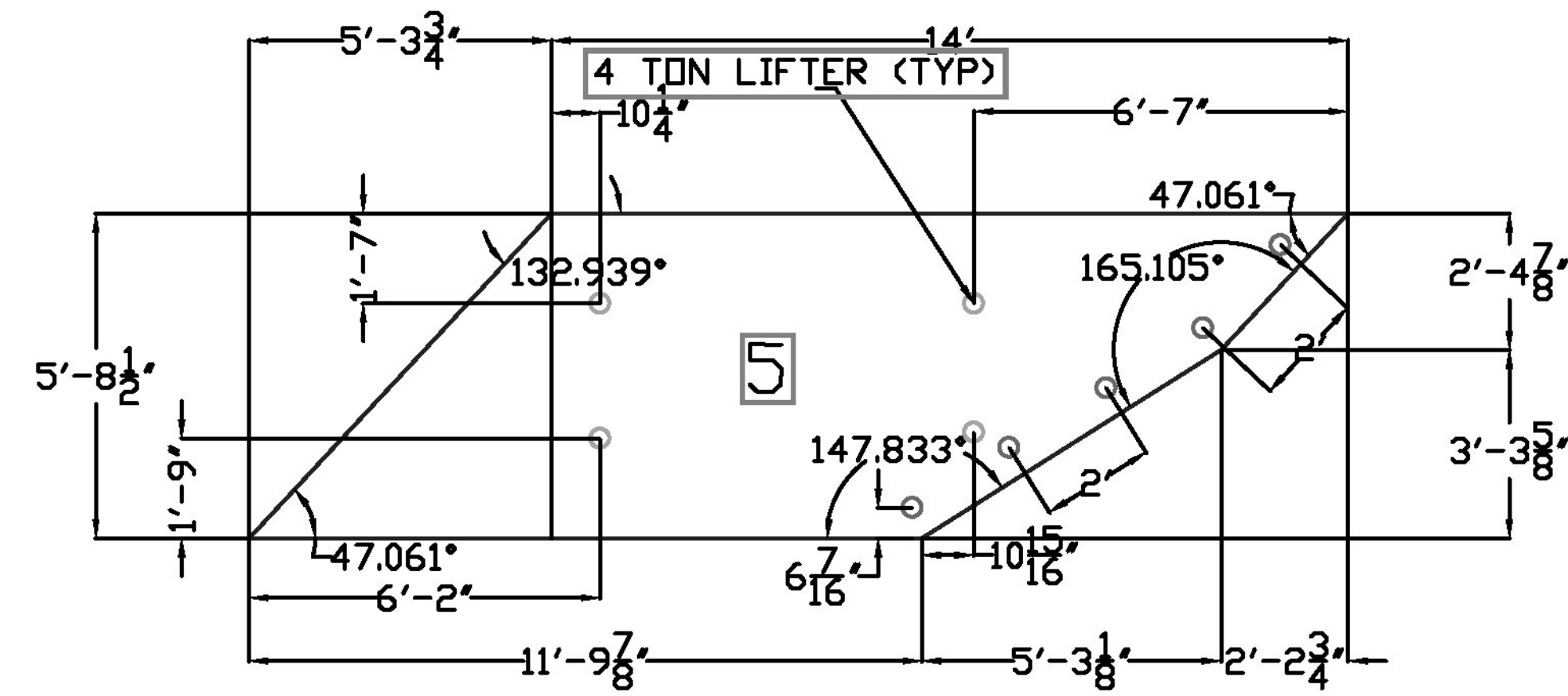
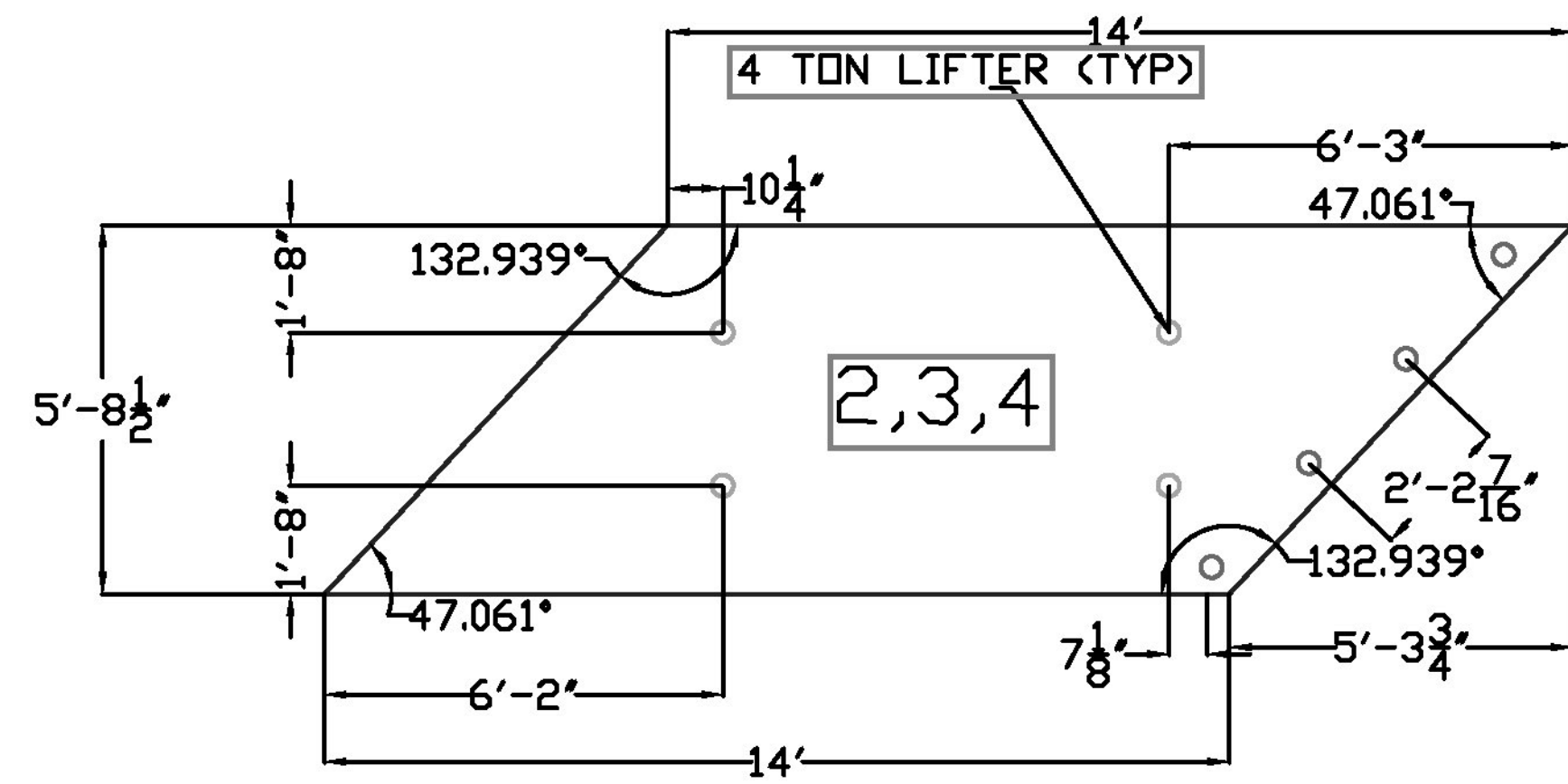


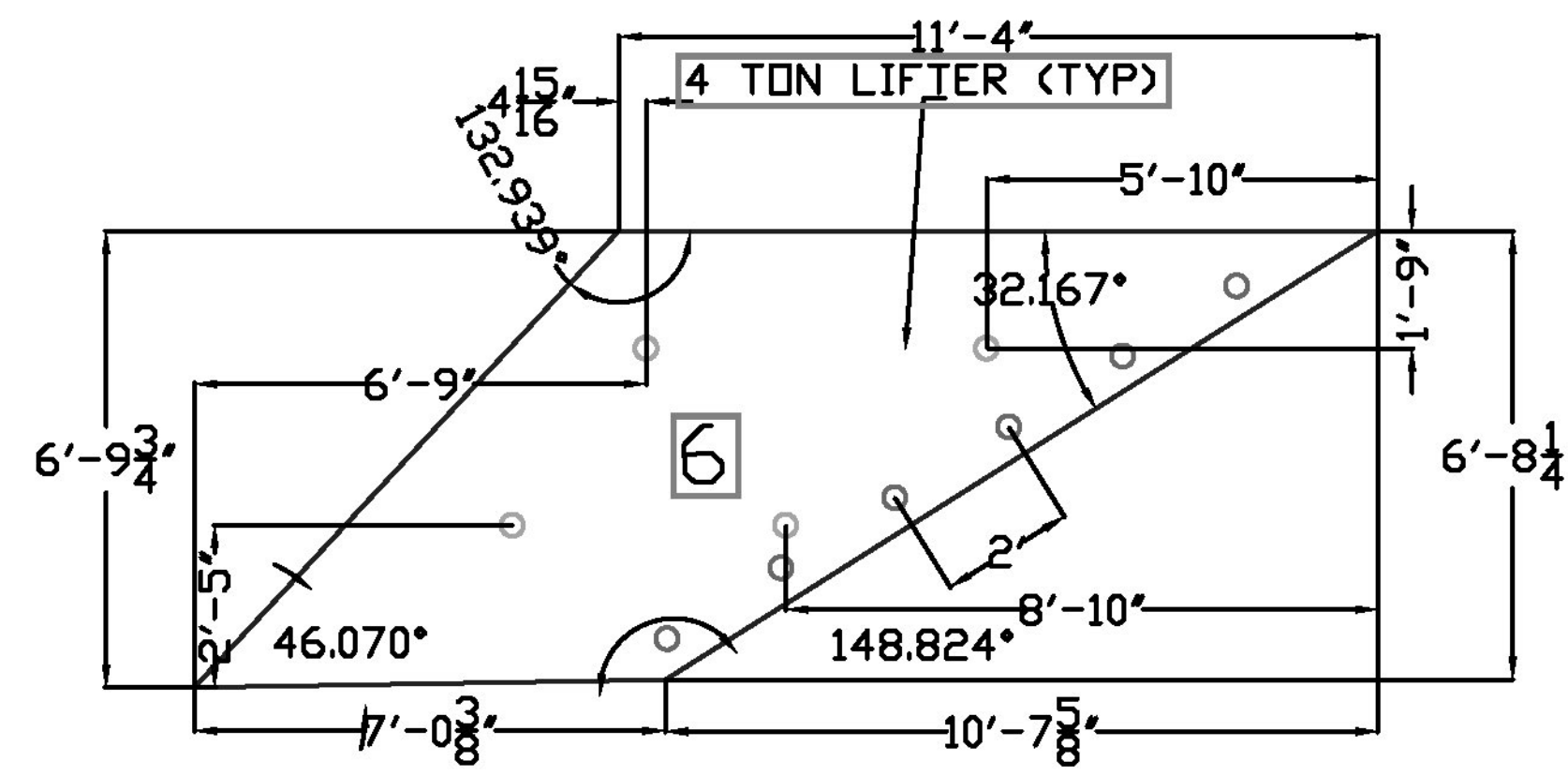
APPROACH SLAB # 1
VOLUME-4.34CY
WEIGHT-17,578LBS



APPROACH SLAB # 5
VOLUME-3.98 CY
WEIGHT-16,120LBS



APPROACH SLAB #2-4
VOLUME-4.183CY
WEIGHT-16,959 LBS



APPROACH SLAB # 6
VOLUME-3.16CY
WEIGHT-12,791LBS

Vermont Agency of Transportation
RECEIVED
Woodstock Village BF 020-2(43) contractor fabricated approach slabs resubmit 1-26-18.pdf
CK'D BY Stephen Coley OK'D BY Rob Young
January 26, 2018
RESUBMIT No Approved
BY Rob Young DATE 02-06-2018

COLD RIVER BRIDGES, LLC	
10 LANBRO LANE	
TEL 603-756-9300	WALPOLE, NH FAX 603-756-9303
PRE-CAST APPROACH SLABS	
WOODSTOCK VILLAGE BF 020-2 (43)	
A.S. 1-6 REV 1	SHEET NUMBER
REVISION #1 1/26/18	4
DATE: 12/22/17	