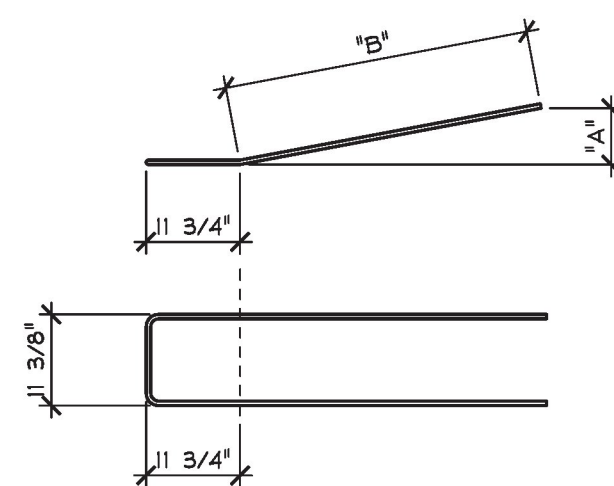
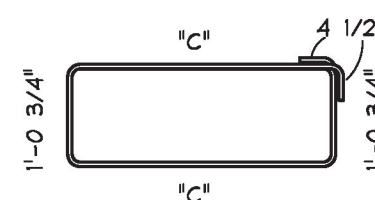


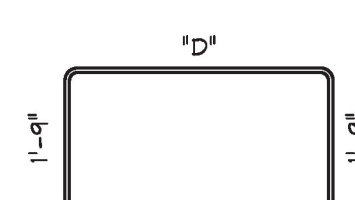
SOLID SLAB MATERIAL: WD-S2, WD-S3, WD-S4, WD-S5, WD-S6, SD-S7  
WD-S8, WD-S9, WD-S10



#4 MODIFIED HAIRPIN  
STAINLESS STEEL  
USE 2 $\phi$  PIN



#4 STIRRUP  
STAINLESS STEEL  
USE 2 $\phi$  PIN

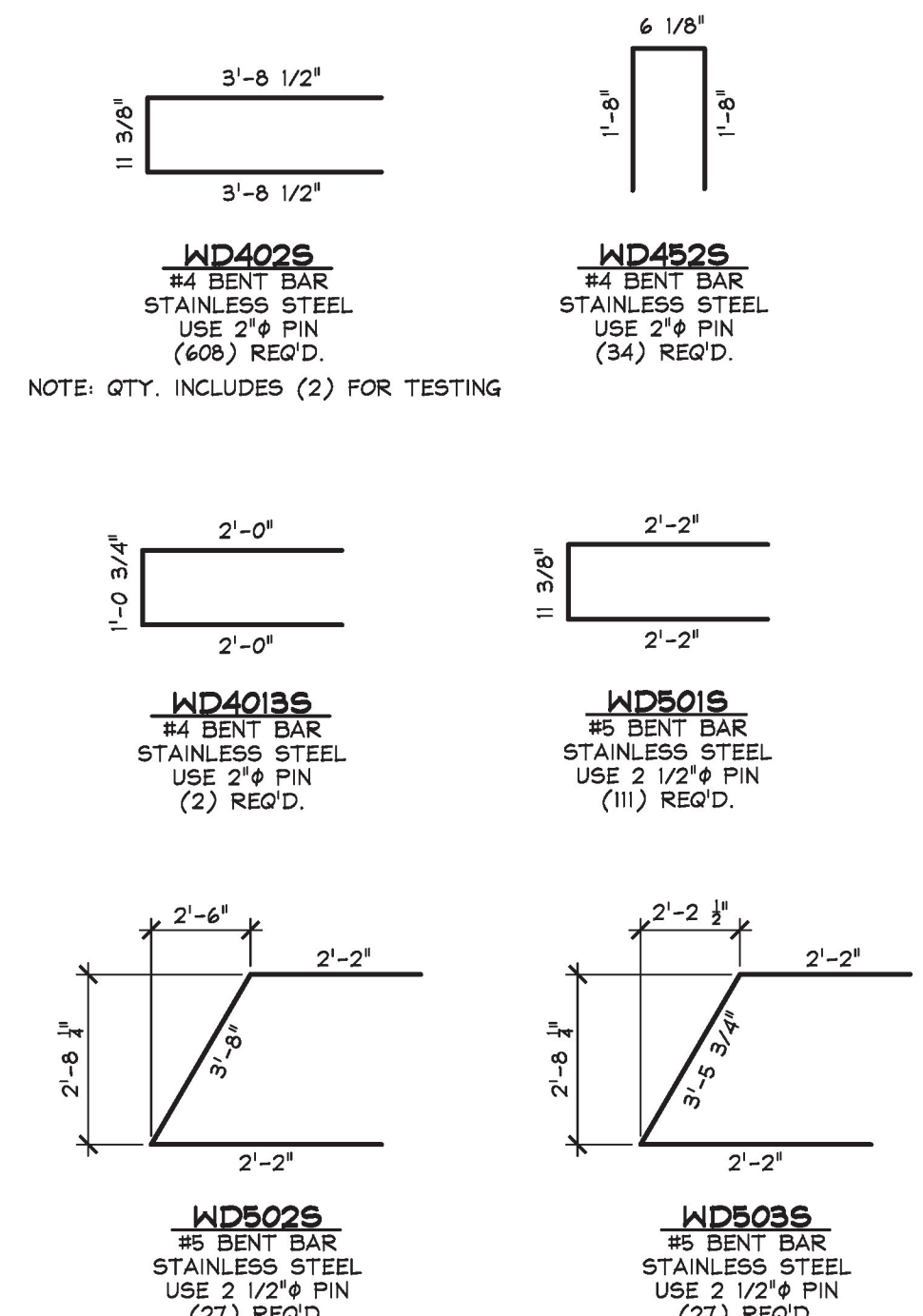


#4 STIRRUP  
STAINLESS STEEL  
USE 2 $\phi$  PIN

MARK	QTY.	"A" DIM.	"B" DIM.
WD409S	180	2'-7 1/4"	3'-9 3/4"
WD410S	198	2'-3 1/2"	3'-7 3/8"
WD428S	12	2'-4 1/4"	3'-7 3/4"
WD429S	9	2'-1 1/4"	3'-5 7/8"
WD430S	18	1'-10 1/4"	3'-4 1/4"
WD431S	9	1'-7 1/4"	3'-2 5/8"
WD432S	18	1'-4 1/4"	3'-1 1/4"
WD433S	9	1'-1 1/4"	3'-0"
WD434S	18	10 1/4"	2'-11"
WD435S	9	7 1/4"	2'-10 1/4"
WD436S	18	4 1/4"	2'-9 3/4"
WD437S	9	2'-0 1/2"	3'-5 1/2"
WD438S	18	1'-9 1/2"	3'-3 3/4"
WD439S	9	1'-6 1/2"	3'-2 1/4"
WD440S	18	1'-3 1/2"	3'-0 7/8"
WD441S	9	1'-0 1/2"	2'-11 3/4"
WD442S	18	9 1/2"	2'-10 3/4"
WD443S	9	6 1/2"	2'-10 1/8"
WD444S	18	3 1/2"	2'-9 3/4"
WD4014S	1	1'-3 1/2"	1'-10 1/2"

MARK	QTY.	"C" DIM.
WD401S	312	2'-9 1/2"
WD407S	216	3'-9 3/4"
WD408S	223	3'-7 3/8"
WD411S	9	2'-9 3/4"
WD412S	9	2'-10 1/4"
WD413S	9	2'-11"
WD414S	9	3'-0"
WD415S	9	3'-1 1/4"
WD416S	9	3'-2 5/8"
WD417S	9	3'-4 1/4"
WD418S	9	3'-5 7/8"
WD419S	9	3'-7 3/4"
WD420S	9	2'-9 3/4"
WD421S	9	2'-10 1/8"
WD422S	9	2'-10 3/4"
WD423S	9	2'-11 3/4"
WD424S	9	3'-0 7/8"
WD425S	9	3'-2 1/4"
WD426S	9	3'-3 1/4"
WD427S	9	3'-5 1/2"

MARK	QTY.	"D" DIM.
WD403S	27	2'-9 1/2"
WD404S	1	2'-10 1/4"
WD405S	1	3'-0"
WD406S	1	3'-2 5/8"
WD445S	1	3'-5 7/8"
WD446S	1	3'-9 3/4"
WD447S	1	2'-9 3/4"
WD448S	1	2'-10 3/4"
WD449S	1	3'-0 7/8"
WD450S	1	3'-3 3/4"
WD451S	1	3'-7 3/8"



NOTE: QTY. INCLUDES (2) FOR TESTING

WD402S #4 BENT BAR STAINLESS STEEL USE 2 $\phi$  PIN (608) REQ'D.

WD452S #4 BENT BAR STAINLESS STEEL USE 2 $\phi$  PIN (34) REQ'D.

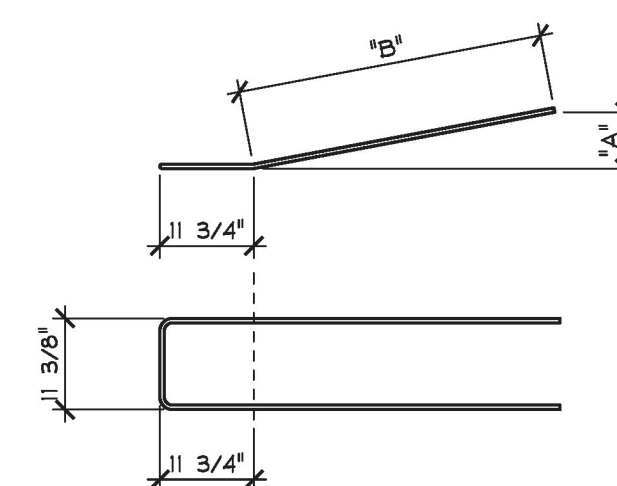
WD403S #4 BENT BAR STAINLESS STEEL USE 2 $\phi$  PIN (2) REQ'D.

WD501S #5 BENT BAR STAINLESS STEEL USE 2 1/2 $\phi$  PIN (11) REQ'D.

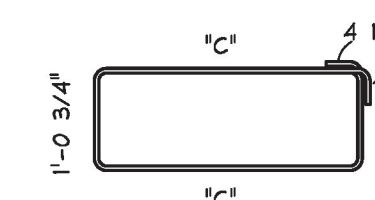
WD502S #5 BENT BAR STAINLESS STEEL USE 2 1/2 $\phi$  PIN (27) REQ'D.

WD503S #5 BENT BAR STAINLESS STEEL USE 2 1/2 $\phi$  PIN (27) REQ'D.

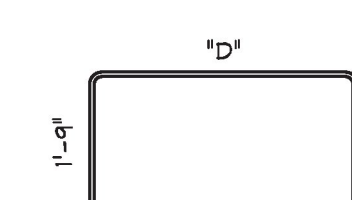
SOLID SLAB MATERIAL: WD-S1



#4 MODIFIED HAIRPIN  
STAINLESS STEEL  
USE 2 $\phi$  PIN



#4 STIRRUP  
STAINLESS STEEL  
USE 2 $\phi$  PIN

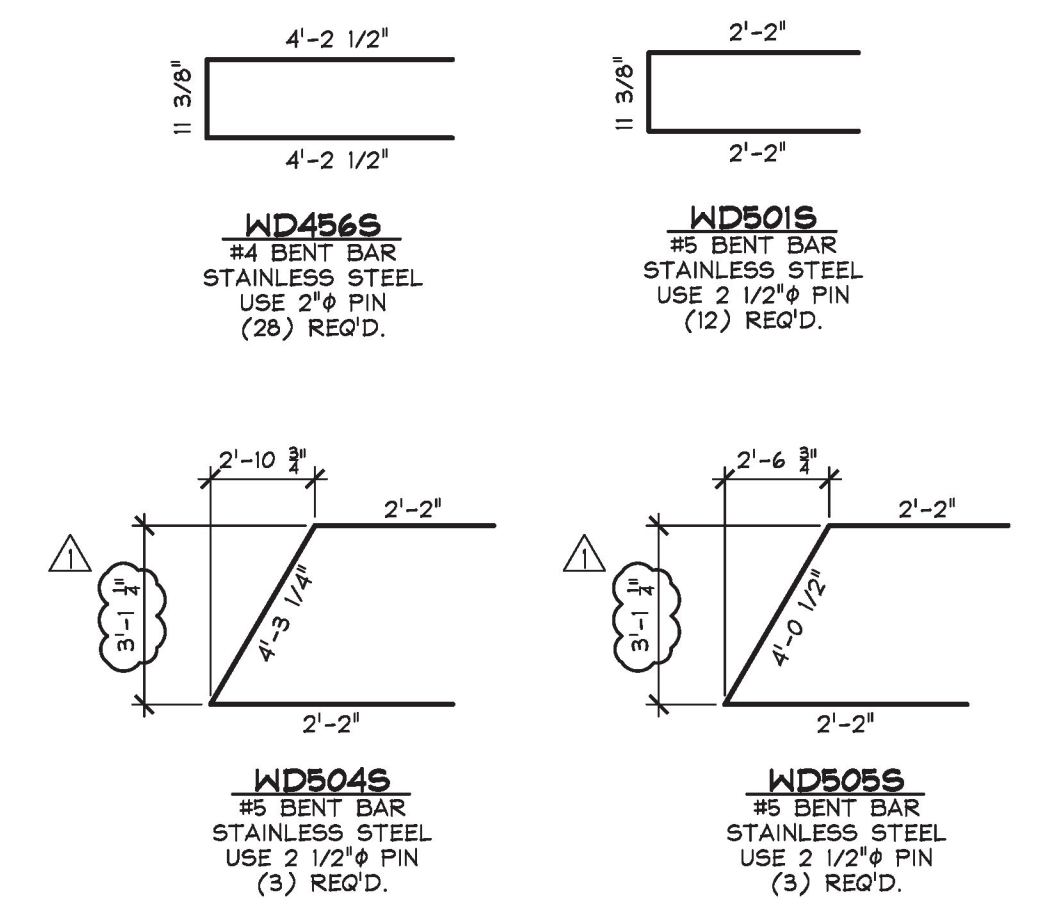


#4 STIRRUP  
STAINLESS STEEL  
USE 2 $\phi$  PIN

MARK	QTY.	"A" DIM.	"B" DIM.
WD461S	12	3'-0"	4'-5"
WD462S	11	2'-7 3/4"	4'-2 1/8"
WD462S	1	2'-8 1/2"	4'-2 5/8"
WD463S	1	2'-6"	4'-1"
WD464S	1	2'-3"	3'-11 1/4"
WD465S	1	2'-0"	3'-9 5/8"
WD466S	1	1'-9"	3'-8 1/8"
WD467S	1	1'-6"	3'-6 3/4"
WD468S	1	1'-3"	3'-5 1/2"
WD469S	1	1'-0"	3'-4 1/2"
WD490S	1	9"	3'-3 3/4"
WD491S	1	6"	3'-3 1/4"
WD492S	1	3"	3'-2 7/8"
WD493S	1	4"	3'-3"
WD494S	1	11"	3'-4 1/4"
WD495S	1	1'-5 7/8"	3'-6 3/4"
WD496S	1	2'-4 1/4"	4'-0"

MARK	QTY.	"C" DIM.
WD455S	29	3'-2 3/4"
WD457S	24	4'-5"
WD458S	24	4'-2 1/8"
WD465S	1	3'-2 7/8"
WD464S	1	3'-3 1/4"
WD465S	1	3'-9 3/4"
WD466S	1	3'-4 1/2"
WD467S	1	3'-5 1/2"
WD468S	1	3'-6 3/4"
WD469S	1	3'-8 1/8"
WD470S	1	3'-9 5/8"
WD471S	1	3'-11 1/4"
WD472S	1	4'-1"
WD473S	1	4'-3"
WD474S	1	3'-3"
WD475S	1	3'-3 1/2"
WD476S	1	3'-4 1/4"
WD477S	1	3'-5 3/8"
WD478S	1	3'-6 3/4"
WD479S	1	3'-8 1/4"
WD480S	1	3'-10"
WD481S	1	4'-0"

MARK	QTY.	"D" DIM.
WD4001S	26	3'-2 3/4"
WD4002S	1	3'-3 1/4"
WD4003S	1	3'-4 1/2"
WD4004S	1	3'-6 3/4"
WD4005S	1	3'-9 5/8"
WD4006S	1	4'-1"
WD4007S	1	4'-5"
WD4008S	1	3'-3 1/2"
WD4009S	1	3'-5 1/8"
WD4010S	1	3'-7 1/2"
WD4011S	1	3'-10 1/2"
WD4012S	1	4'-2 1/8"



WD456S #4 BENT BAR STAINLESS STEEL USE 2 $\phi$  PIN (26) REQ'D.

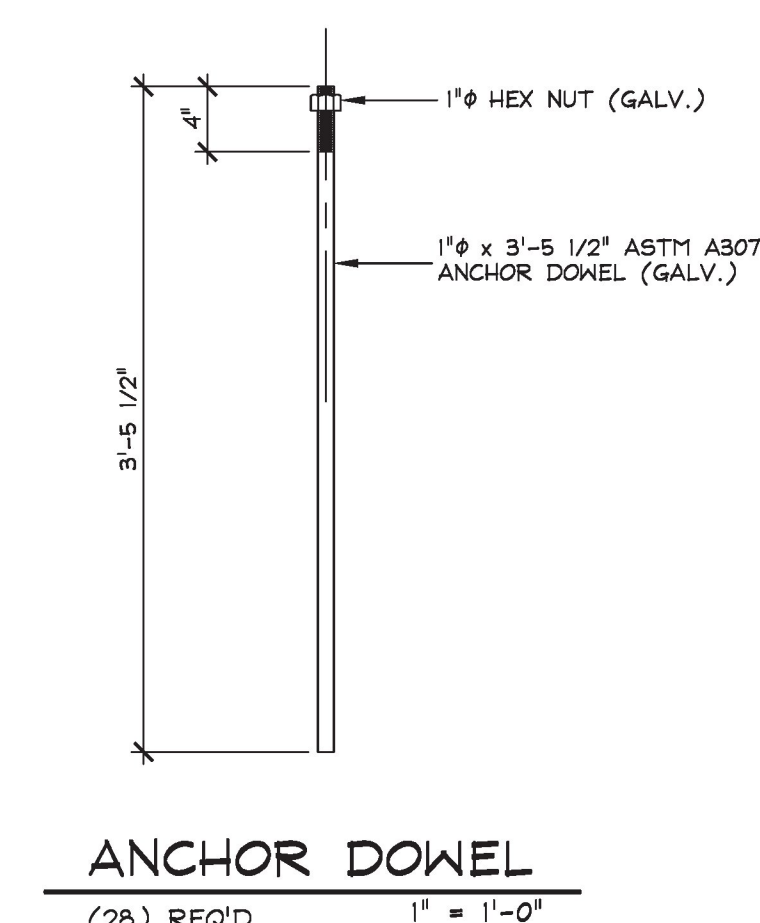
WD501S #5 BENT BAR STAINLESS STEEL USE 2 1/2 $\phi$  PIN (12) REQ'D.

WD504S #5 BENT BAR STAINLESS STEEL USE 2 1/2 $\phi$  PIN (3) REQ'D.

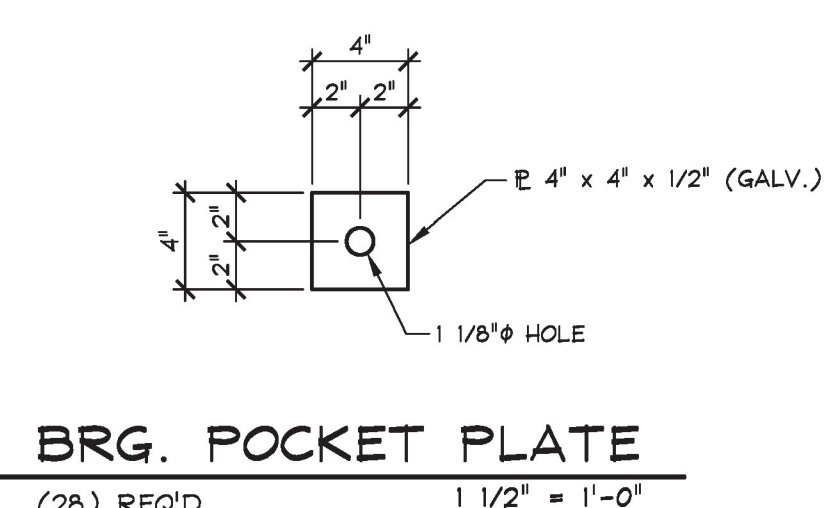
WD505S #5 BENT BAR STAINLESS STEEL USE 2 1/2 $\phi$  PIN (3) REQ'D.

MISCELLANEOUS MATERIALS			PIER CAP	
ITEM	MARK	QTY.	DESCRIPTION	REMARKS
1		18	1 1/2 $\phi$ O.D. x 1'-3" STEEL SLEEVE	
2				
3				
4				
5				
6	36		#5 x 2'-11" (STAINLESS STEEL)	
7	39		#5 x 3'-10" (STAINLESS STEEL)	QTY. INCLUDES (3) FOR TESTING
8	36		(2) 1/2 $\phi$ 270 KSI STRAND LIFT LOOPS	SEE DETAIL
9				

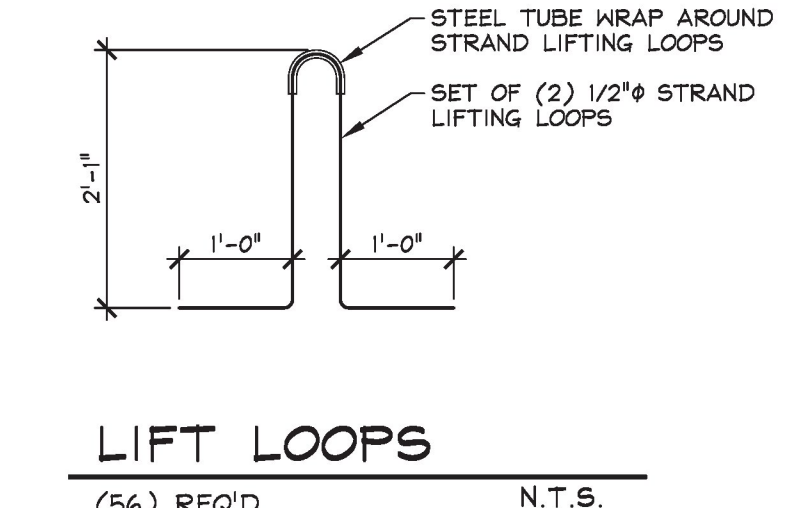
MISCELLANEOUS MATERIALS			PIER CAP	
ITEM	MARK	QTY.	DESCRIPTION	REMARKS
1		2	1 1/2 $\phi$ O.D. x 1'-3" STEEL SLEEVE	
2				
3		4	3/4 $\phi$ F-64 INSERTS (GALV.)	
4		69 LF	4 $\phi$ I.D. PVC SLEEVE	
5		12	1/2 $\phi$ x 4" B-16 COIL LOOP INSERT (GALV.)	
6		4	#5 x 3'-3" (STAINLESS STEEL)	
7		4	#5 x 4'-5" (STAINLESS STEEL)	
8		4	(2) 1/2 $\phi$ 270 KSI STRAND LIFT LOOPS	SEE DETAIL
9				



ANCHOR DOWEL  
(28) REQ'D. 1" = 1'-0"



BRG. POCKET PLATE  
(28) REQ'D. 1 1/2" = 1'-0"



LIFT LOOPS  
(56) REQ'D. N.T.S.

Production/Record Set  
2.13.18  
J.P. CARRARA & SONS, INC.  
MIDDLEBURY, VT 05753

2-12-18 REVISED AS PER ENGINEERS COMM. T.D.

Vermont Agency of Transportation  
**RECEIVED**

CK'D BY Stephen Coley OK'D BY Rob Young

February 13, 2017

RESUBMIT No Approved  
BY Rob Young DATE 02/13/2017

APPROVAL STAMP:	<b>J.P. CARRARA &amp; SONS INC.</b> Precast & Prestress Manufacturer 2454 CASE ST., MIDDLEBURY, VERMONT 05753 Phone:(802)388-6361 Fax:(802)388-9010	Cold River Bridges CONTRACTOR WALPOLE, NEW HAMPSHIRE
	STATE OF VERMONT AGENCY OF TRANSPORTATION COUNTY OF WINDSOR	DATE: JAN. 18, 2018 SCALE: NOTED
	WOODSTOCK VILLAGE VT. ROUTE 4 (CLASS 1), VILLAGE PRINCIPAL ARTERIAL BRIDGE NO.: 51 PROJECT NO.: BF 020-2 (43)	CHKD: A.S. DFTM: T.D. JOB NO: 23522-017
<b>MATERIAL LIST</b>		DWG. NO: M1