

**A**  
**S8** SOLID SLAB PLAN IN FORM  
1/2" = 1'-0"

SHOP NOTE. SEE SHEET S8.1 FOR REINFORCING LAYOUT

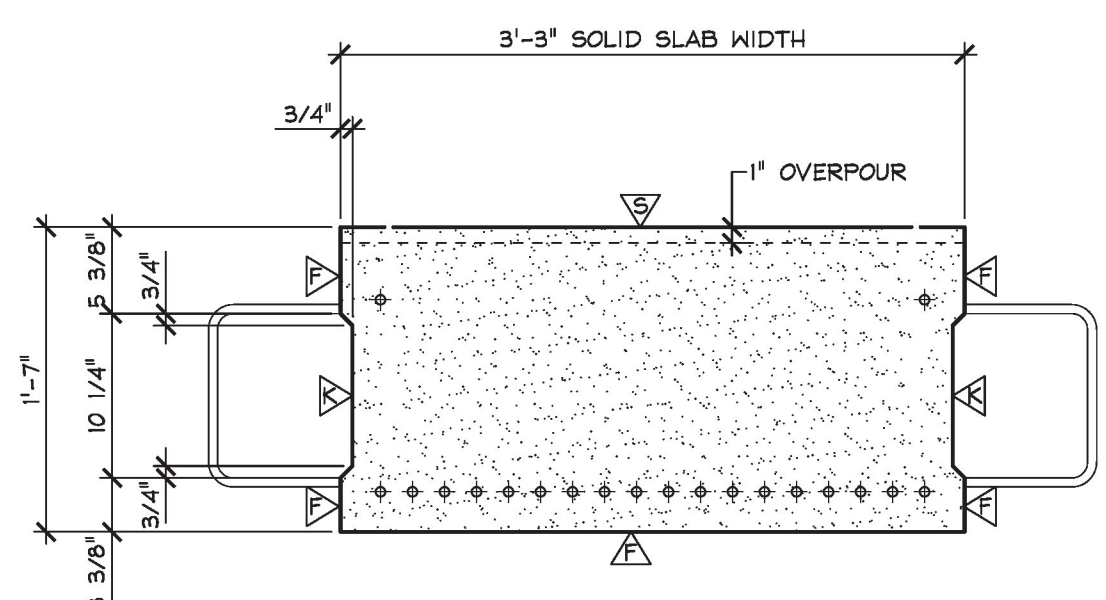
Vermont Agency of Transportation  
**RECEIVED**

CK'D BY Stephen Coley OK'D BY Rob Young

February 13, 2017

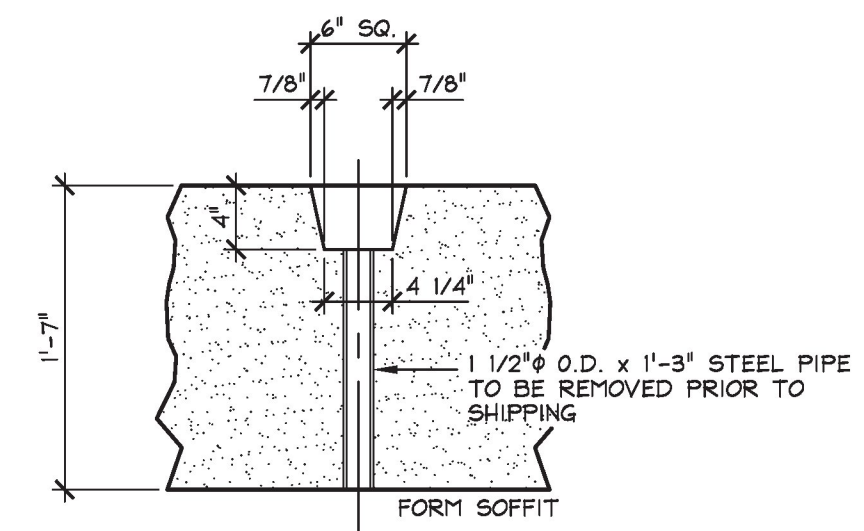
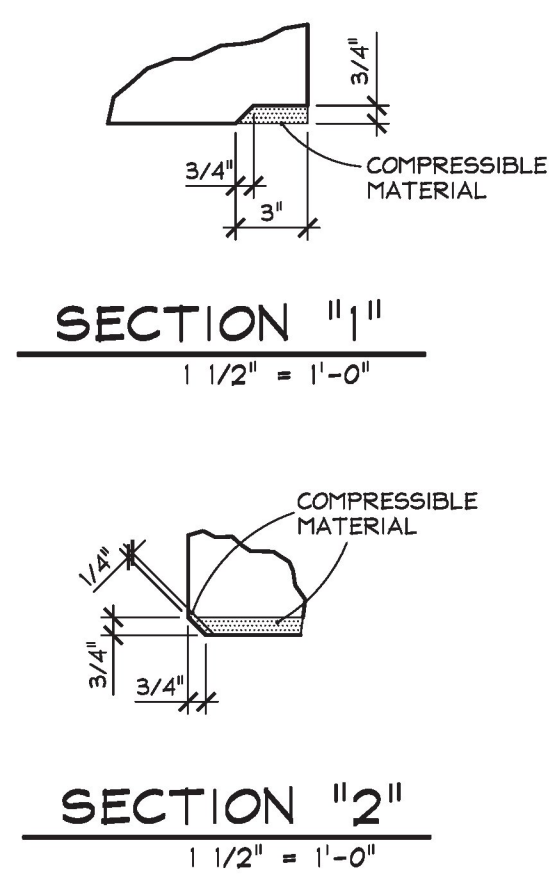
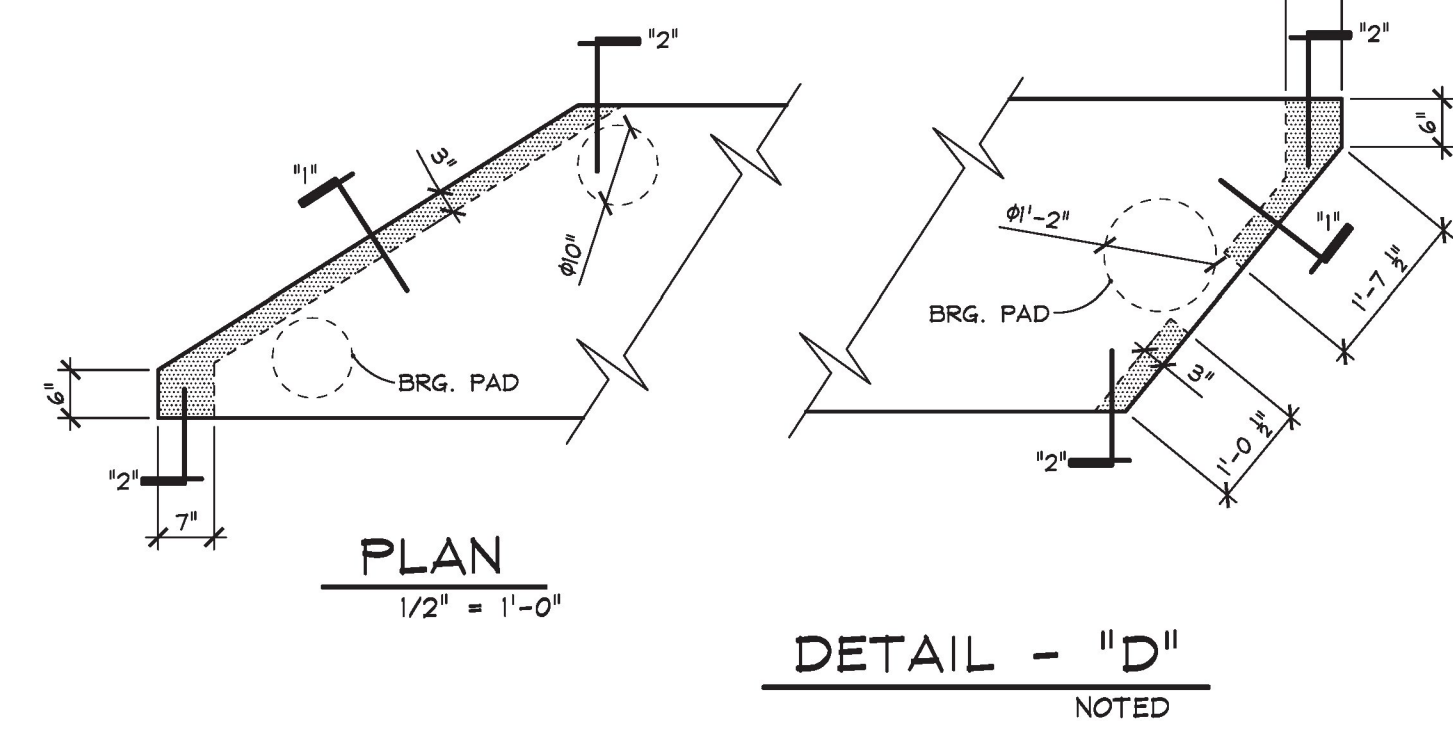
RESUBMIT No Approved  
BY Rob Young DATE 02/13/2017

SHOP NOTE:  
F<sub>ci</sub> = 8,000 PSI  
F<sub>ci</sub> = 5,500 PSI  
MIX #430M1 ROCK

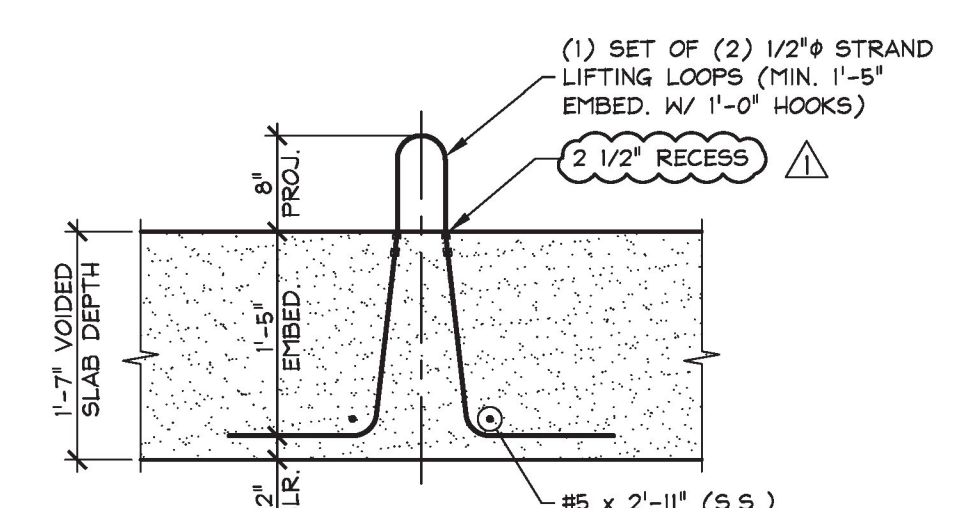


**B**  
**S8** DIMENSIONAL SECTION  
1" = 1'-0"

- △ - SMOOTH SCREED FINISH
- △ - FORM FINISH
- △ - ROUGHENED FINISH (1/8" AMPLITUDE)



DETAIL - "C"  
1" = 1'-0"



LIFT LOOP DETAIL  
3/4" = 1'-0"



DUNNAGE LOCATION DETAIL  
N.T.S.

MARK: WD-S8 QTY.: 1 WT.: 14.02 T VOL.: 6.93 cy			
MATERIAL LIST / P/S SOLID SLAB			
ITEM	MARK	DESCRIPTION	WD-S8 QTY.
1			
2			
3			
4			
5			
6			
7			
8			
9			
10			
11			
12			
13			
14		#5 x 2'-11" (STAINLESS STEEL)	4
15			
16			
17			
18			
19			
20			
21			
22			
23			
24			
25			
26			
27			
28			
29		1 1/2" O.D. x 1'-3" STEEL PIPE	2
30		(2) 1/2" 270 KSI STRAND LIFT LOOPS	4
31			
32			

APPROVAL STAMP:	<b>J.P. CARRARA &amp; SONS INC.</b> Precast & Prestress Manufacturer 2454 CASE ST., MIDDLEBURY, VERMONT 05753 Phone:(802)388-6361 Fax:(802)388-9010	Cold River Bridges CONTRACTOR WALPOLE, NEW HAMPSHIRE
	STATE OF VERMONT AGENCY OF TRANSPORTATION COUNTY OF WINDSOR	DATE: JAN. 18, 2018 SCALE: NOTED
	WOODSTOCK VILLAGE VT. ROUTE 4 (CLASS 1), VILLAGE PRINCIPAL ARTERIAL BRIDGE NO.: 51 PROJECT NO.: BF 020-2 (43)	CHKD: A.S. DFTM: T.D. JOB NO: 23522-017
	<b>SOLID SLAB DETAILS</b>	DWG. NO: <b>S8</b>

Production/Record Set  
2.13.18  
J.P. CARRARA & SONS, INC.  
MIDDLEBURY, VT 05753