

**A** SOLID SLAB PLAN IN FORM  
1/2" = 1'-0"

SHOP NOTE. SEE SHEET S7.1 FOR REINFORCING LAYOUT

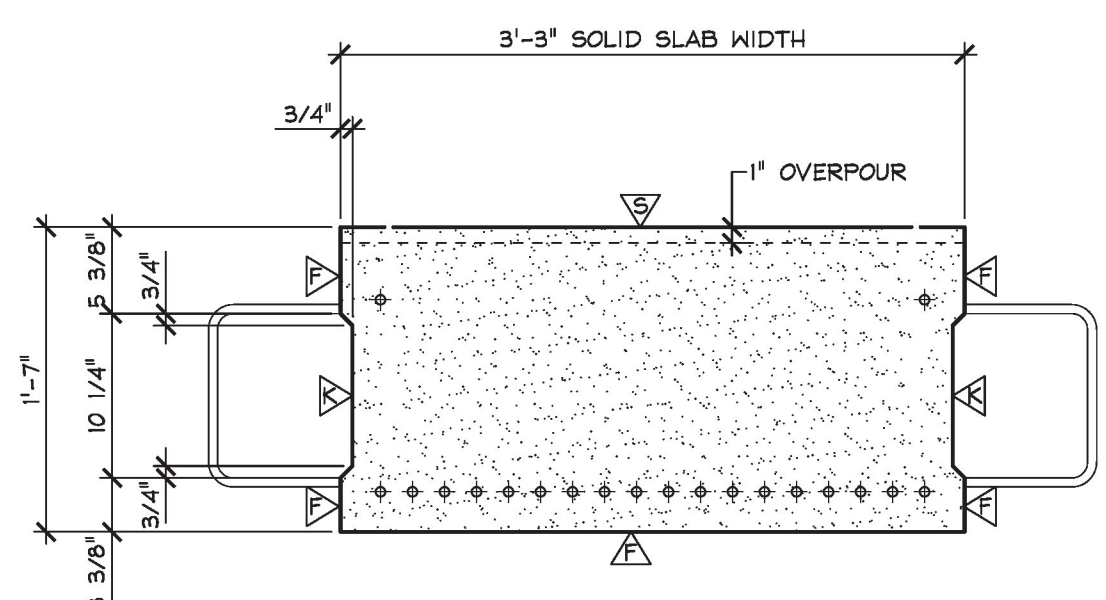
Vermont Agency of Transportation  
**RECEIVED**  
CK'D BY Stephen Coley OK'D BY Rob Young  
February 13, 2017

RESUBMIT No Approved  
BY Rob Young DATE 02/13/2017

SHOP NOTE:  
f<sub>cc</sub> = 8,000 PSI  
f<sub>ci</sub> = 5,500 PSI  
MIX #430M1 ROCK

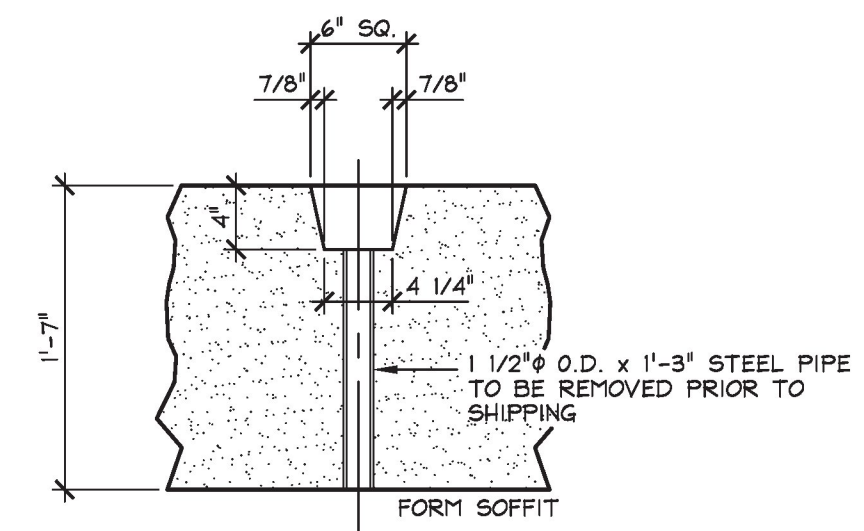
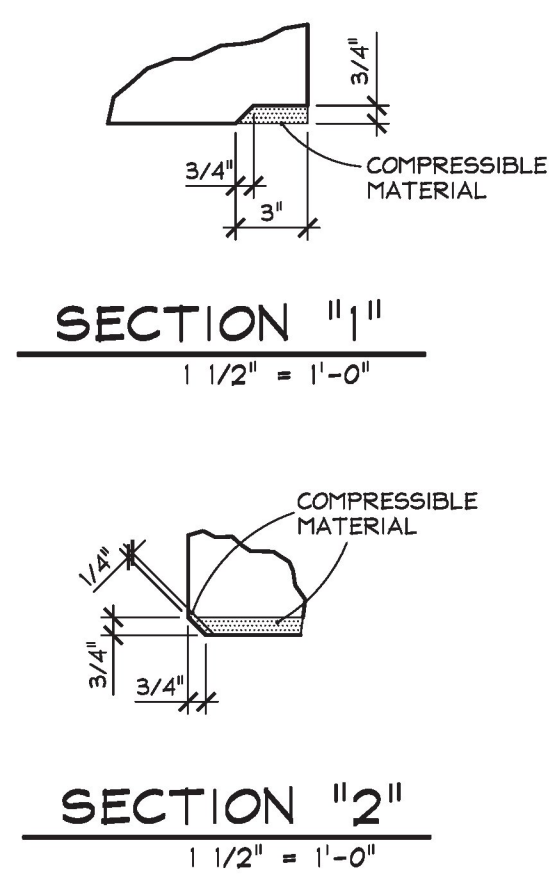
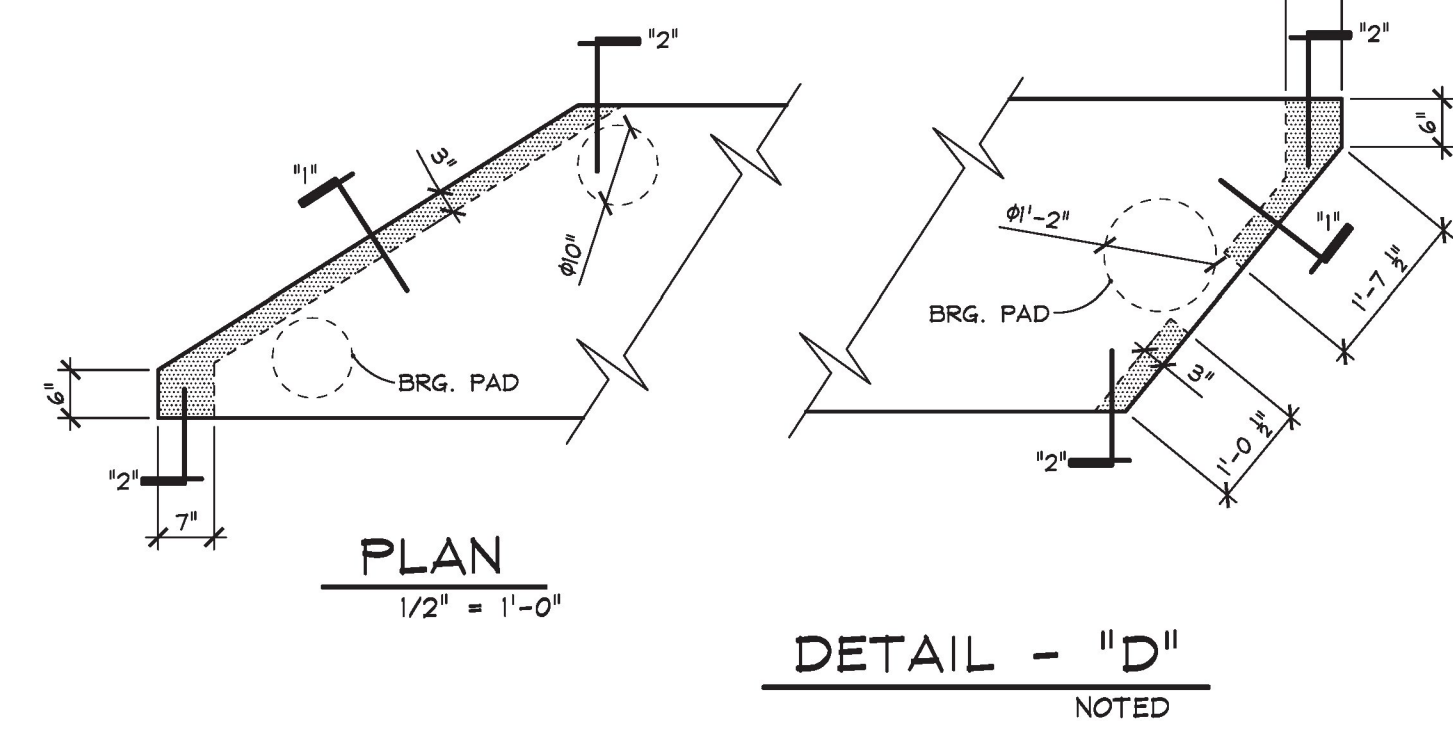
MARK: WD-S7 QTY.: 1 WT.: 13.87 T VOL.: 6.85 cy

MATERIAL LIST / P/S SOLID SLAB			
ITEM	MARK	DESCRIPTION	WD-S7 QTY.
1			
2			
3			
4			
5			
6			
7			
8			
9			
10			
11			
12			
13			
14		#5 x 2'-11" (STAINLESS STEEL)	4
15			
16			
17			
18			
19			
20			
21			
22			
23			
24			
25			
26			
27			
28			
29		1 1/2" O.D. x 1'-3" STEEL PIPE	2
30		(2) 1/2" 270 KSI STRAND LIFT LOOPS	4
31			
32			

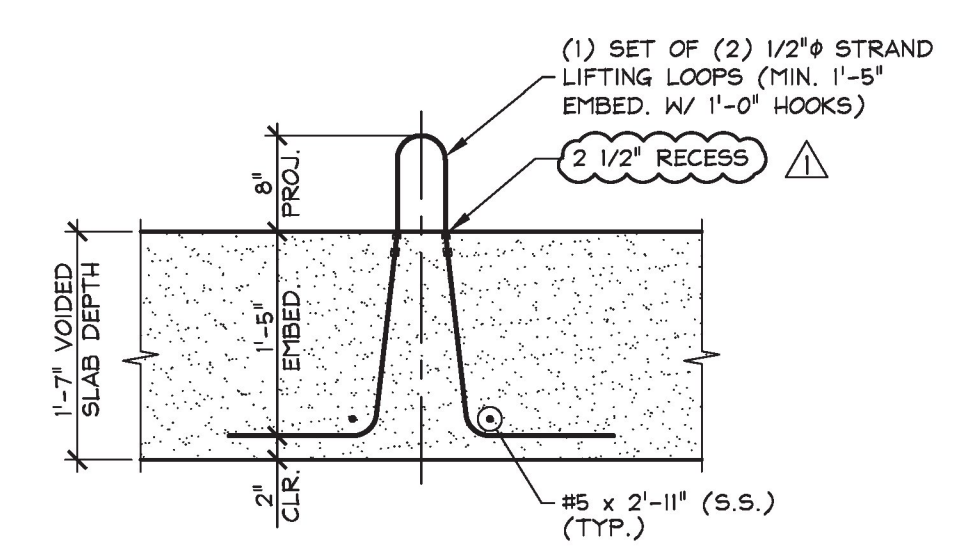


**B** DIMENSIONAL SECTION  
1" = 1'-0"

- △ - SMOOTH SCREED FINISH
- △ - FORM FINISH
- △ - ROUGHENED FINISH (1/8" AMPLITUDE)



**C** DETAIL - "C"  
1" = 1'-0"



LIFT LOOP DETAIL  
3/4" = 1'-0"



DUNNAGE LOCATION DETAIL  
N.T.S.

Production/Record Set  
2.13.18  
J.P. CARRARA & SONS, INC.  
MIDDLEBURY, VT 05753

2/12/18 REVISED AS PER ENGINEERS COMM. T.D.

APPROVAL STAMP:

**J.P. CARRARA & SONS INC.**  
Precast & Prestress Manufacturer  
2464 CASE ST., MIDDLEBURY, VERMONT 05753 Phone: (802)388-6361 Fax: (802)388-9010

Cold River Bridges  
CONTRACTOR  
WALPOLE, NEW HAMPSHIRE

STATE OF VERMONT AGENCY OF TRANSPORTATION  
COUNTY OF WINDSOR

WOODSTOCK VILLAGE  
VT. ROUTE 4 (CLASS 1), VILLAGE PRINCIPAL ARTERIAL  
BRIDGE NO.: 51 PROJECT NO.: BF 020-2 (43)

SOLID SLAB DETAILS

DATE: JAN. 18, 2018  
SCALE: NOTED  
CHKD: A.S. DFTM: T.D.  
JOB NO: 23522-017  
DWG. NO: **S7**