

A
S5 SOLID SLAB PLAN IN FORM
1/2" = 1'-0"

SHOP NOTE. SEE SHEET S5.1 FOR REINFORCING LAYOUT

Vermont Agency of Transportation
RECEIVED

CK'D BY Stephen Coley OK'D BY Rob Young

February 13, 2017

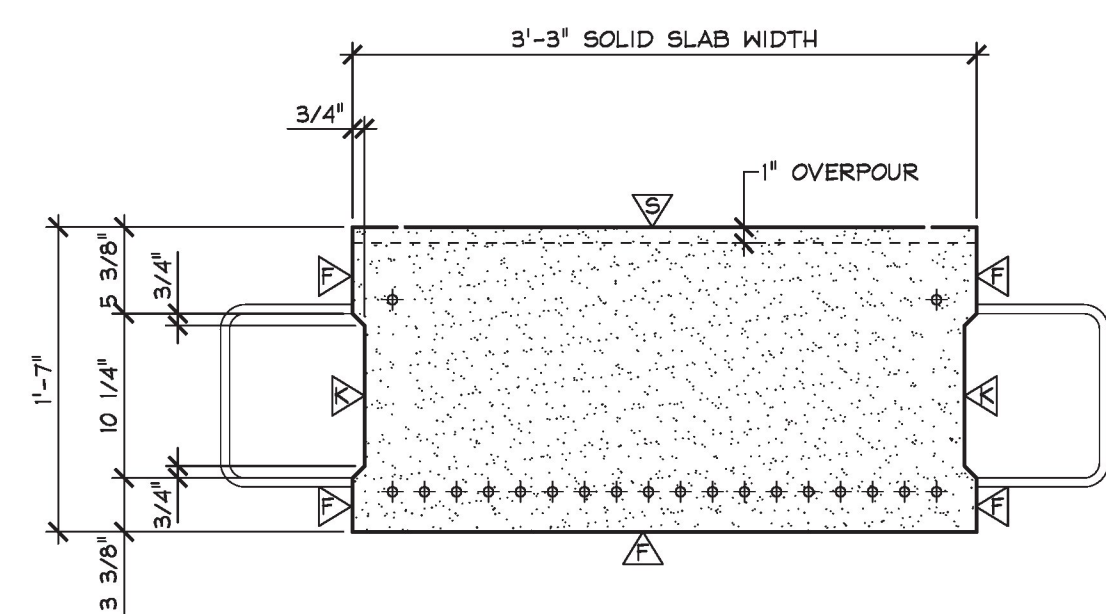
RESUBMIT No Approved
BY Rob Young DATE 02/13/2017

SHOP NOTE:
F_c = 8,000 PSI
F_{ci} = 5,500 PSI
MIX #430M1 ROCK

MARK: WD-S5 QTY.: 1 WT.: 13.52 T VOL.: 6.68 cy

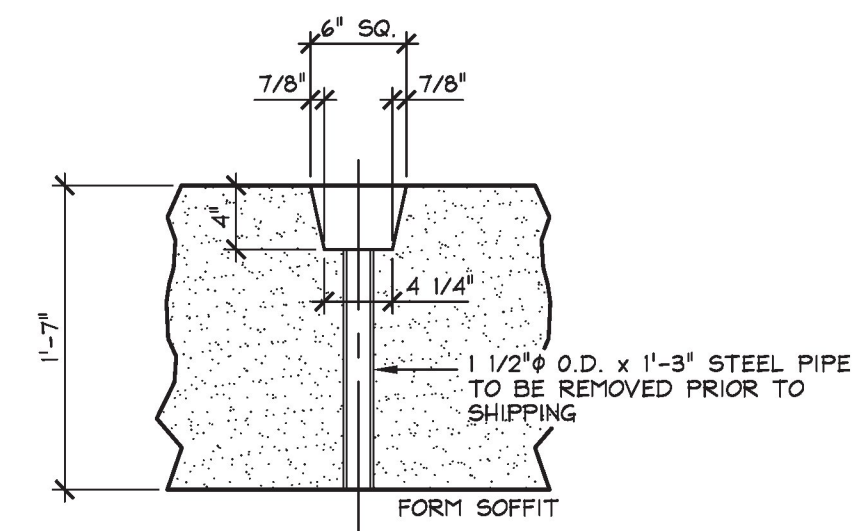
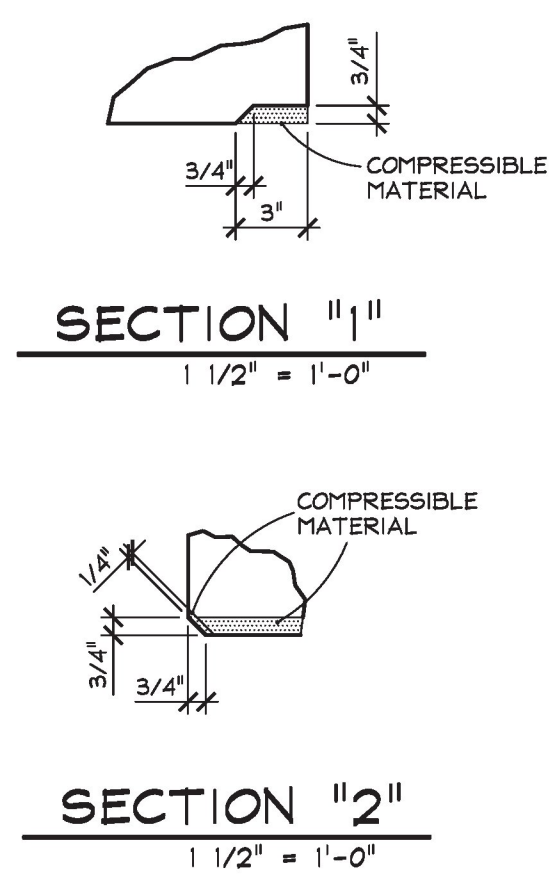
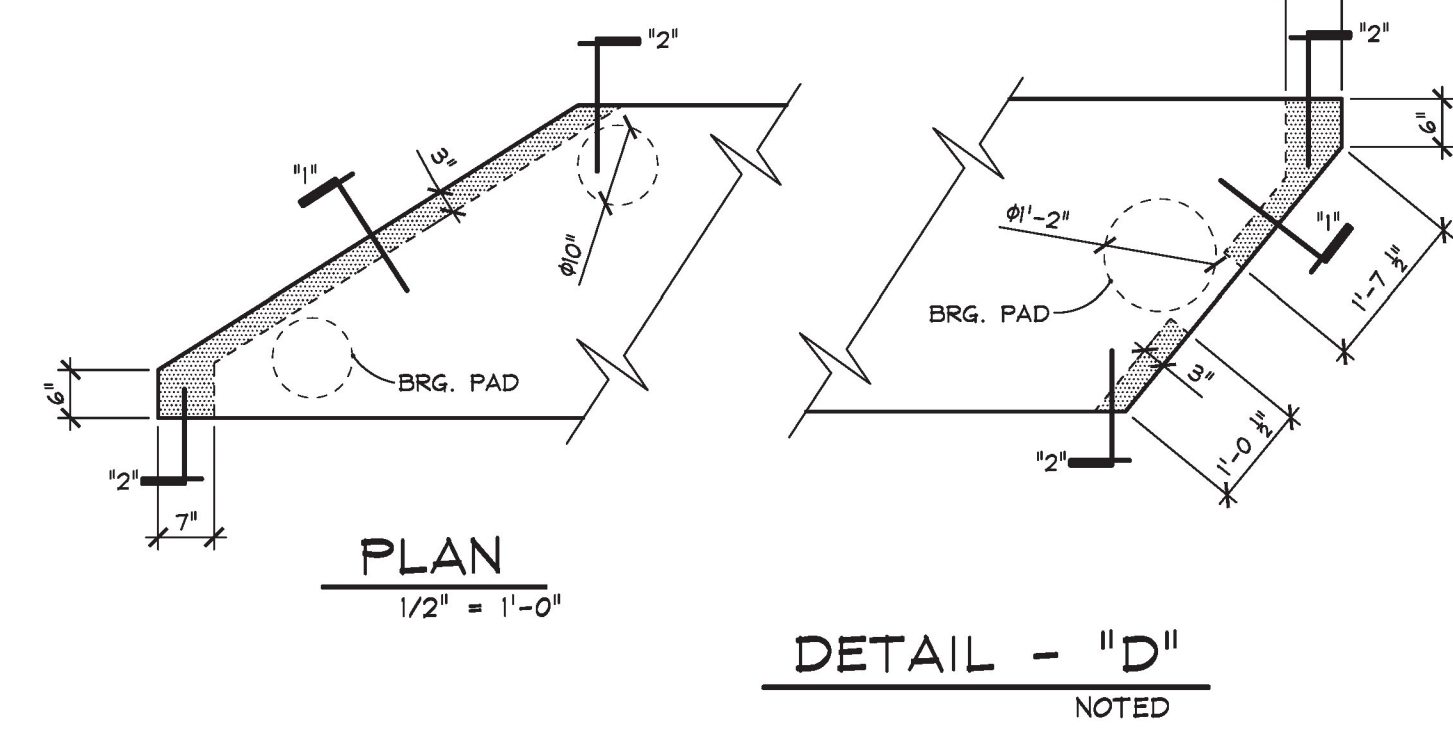
MATERIAL LIST / P/S SOLID SLAB

ITEM	MARK	DESCRIPTION	WD-S5 QTY.
1			
2			
3			
4			
5			
6			
7			
8			
9			
10			
11			
12			
13			
14		#5 x 2'-11" (STAINLESS STEEL)	4
15			
16			
17			
18			
19			
20			
21			
22			
23			
24			
25			
26			
27			
28			
29		1 1/2" O.D. x 1'-3" STEEL PIPE	2
30		(2) 1/2" 270 KSI STRAND LIFT LOOPS	4
31			
32			

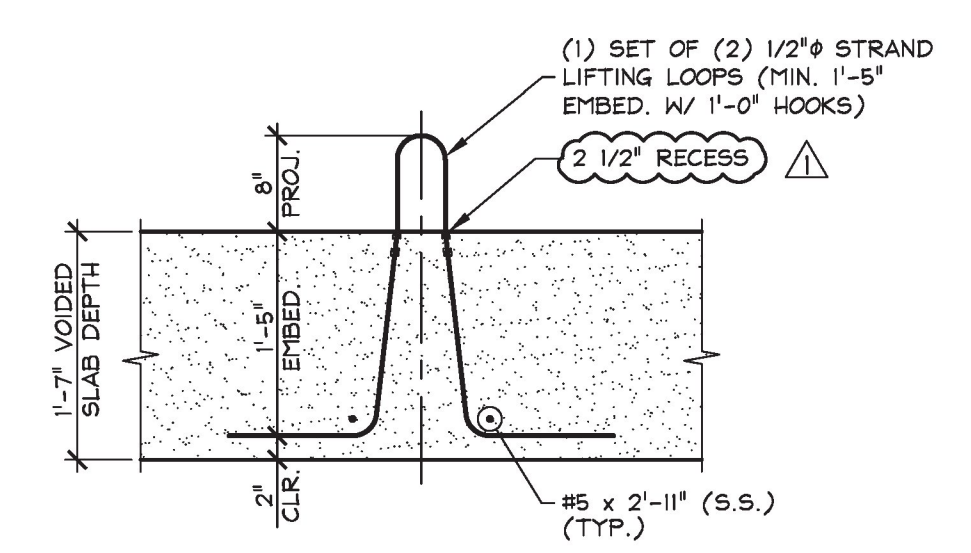


B
S5 DIMENSIONAL SECTION
1" = 1'-0"

- △ - SMOOTH SCREED FINISH
- △ - FORM FINISH
- △ - ROUGHENED FINISH (1/8" AMPLITUDE)



DETAIL - "C"
1" = 1'-0"



LIFT LOOP DETAIL
3/4" = 1'-0"



DUNNAGE LOCATION DETAIL
N.T.S.

Production/Record Set
2.13.18
J.P. CARRARA & SONS, INC.
MIDDLEBURY, VT 05753

2/12/18 REVISED AS PER ENGINEERS COMM. T.D.

APPROVAL STAMP:

J.P. CARRARA & SONS INC.
Precast & Prestress Manufacturer
2464 CASE ST., MIDDLEBURY, VERMONT 05753 Phone:(802)388-6361 Fax:(802)388-9010

Cold River Bridges
CONTRACTOR
WALPOLE, NEW HAMPSHIRE

STATE OF VERMONT AGENCY OF TRANSPORTATION
COUNTY OF WINDSOR

DATE: JAN. 18, 2017
SCALE: NOTED

WOODSTOCK VILLAGE
VT. ROUTE 4 (CLASS 1), VILLAGE PRINCIPAL ARTERIAL
BRIDGE NO.: 51 PROJECT NO.: BF 020-2 (43)

CHKD: A.S. DFTM: T.D.
JOB NO: 23522-017

SOLID SLAB DETAILS
DWG. NO: **S5**