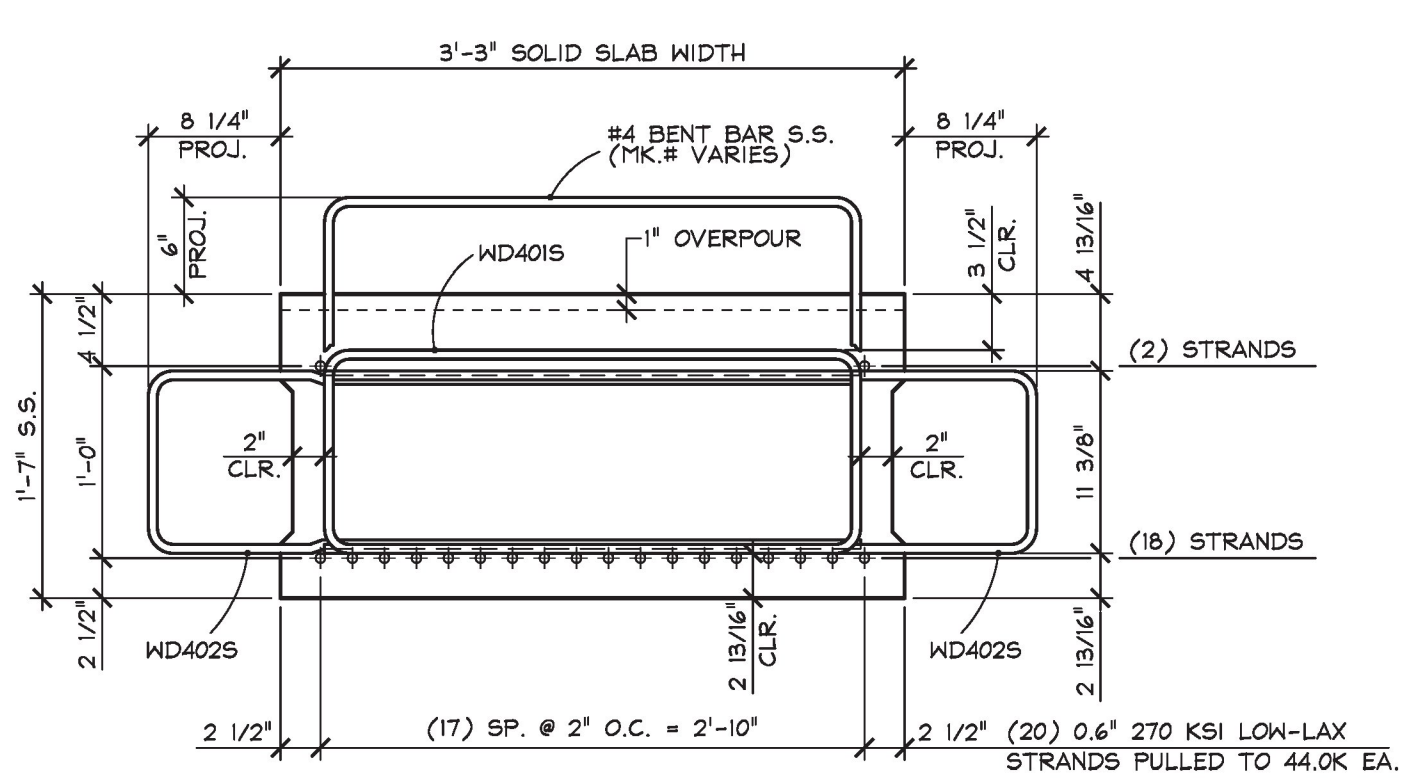
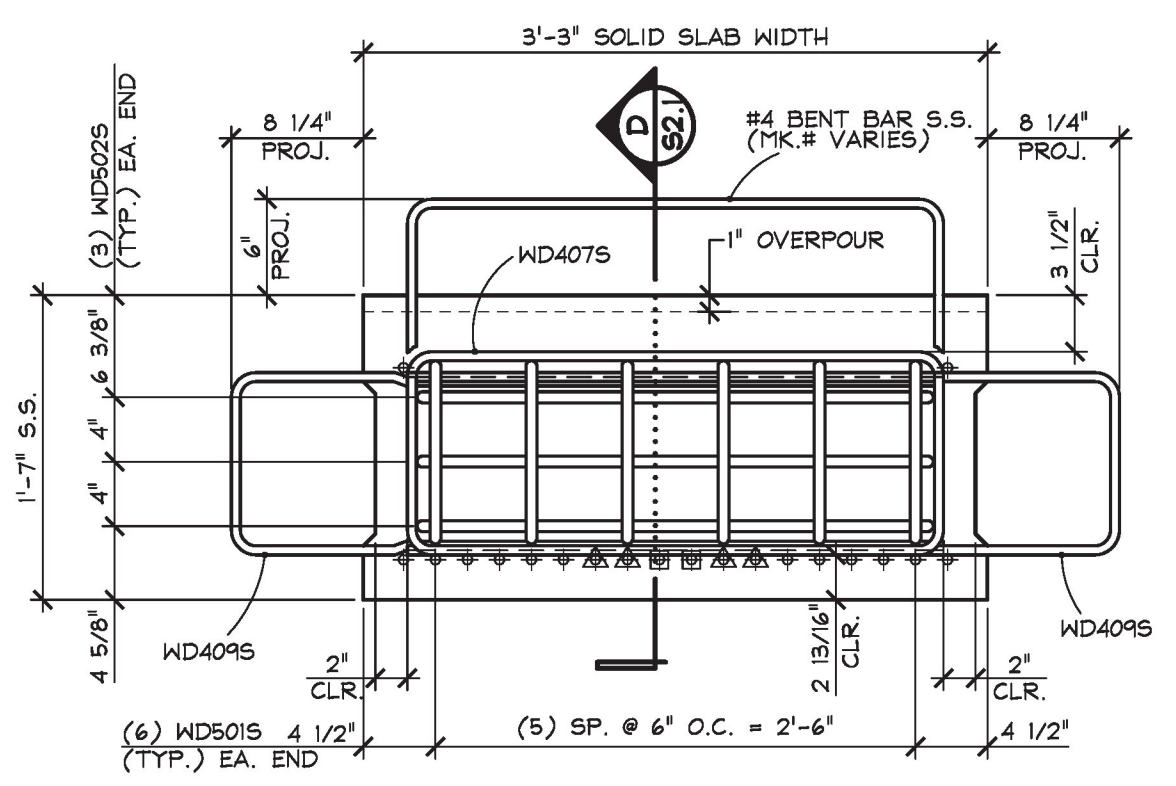


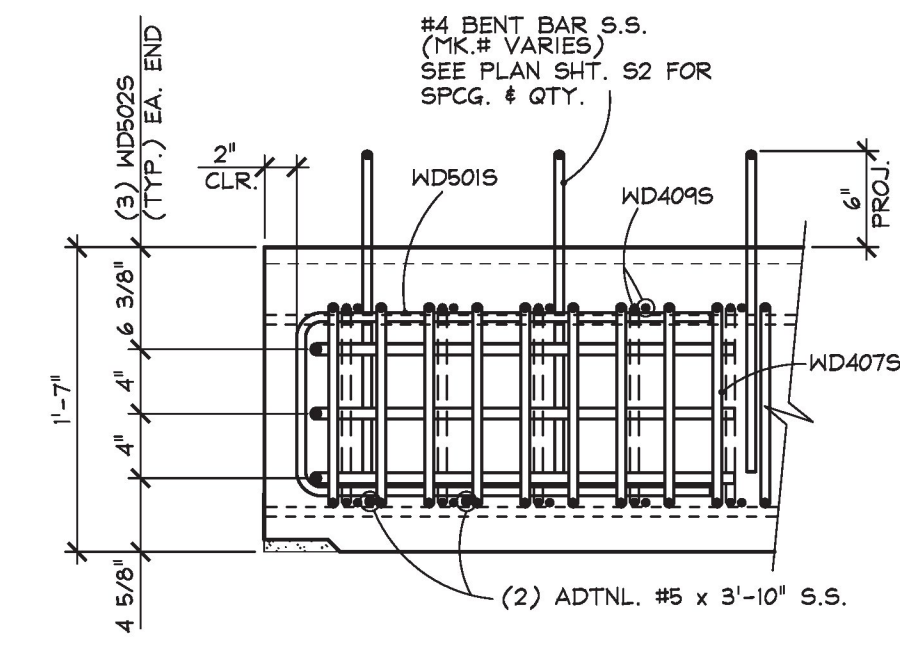
A SOLID SLAB REINFORCING PLAN IN FORM
S2.1 1/2" = 1'-0"



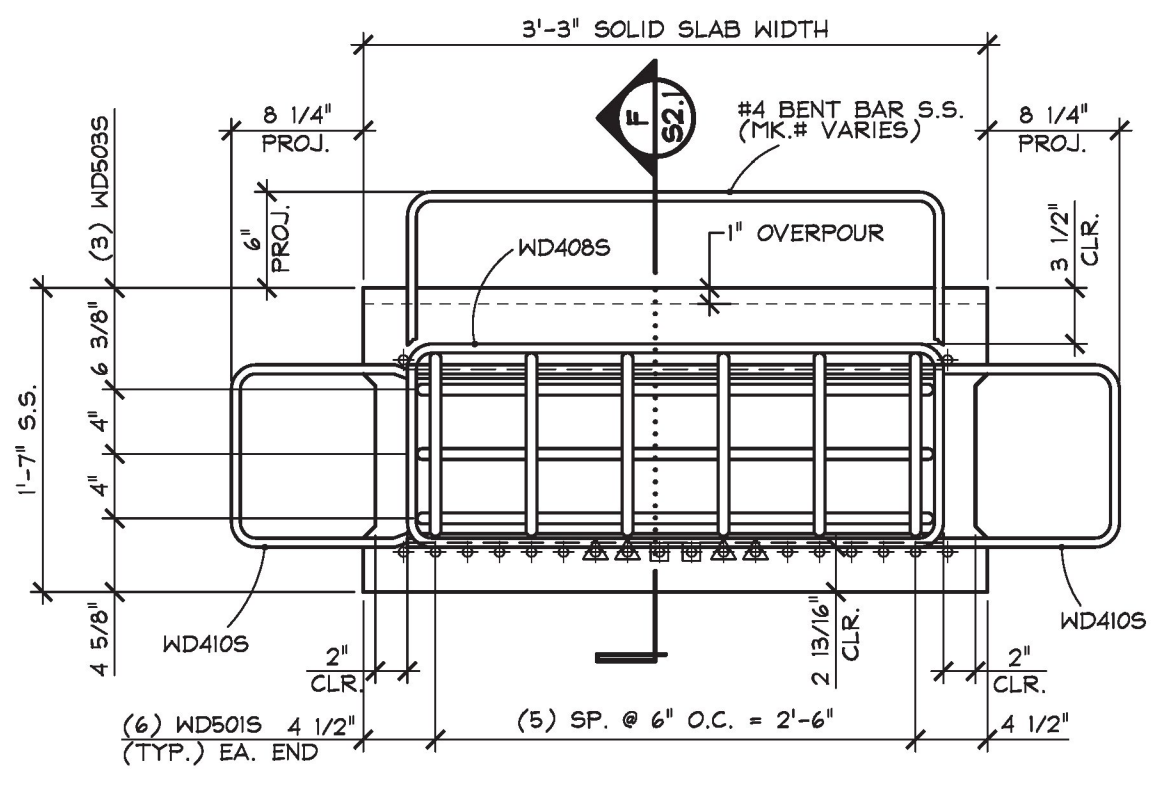
B REINF. SECTION
S2.1 1" = 1'-0"



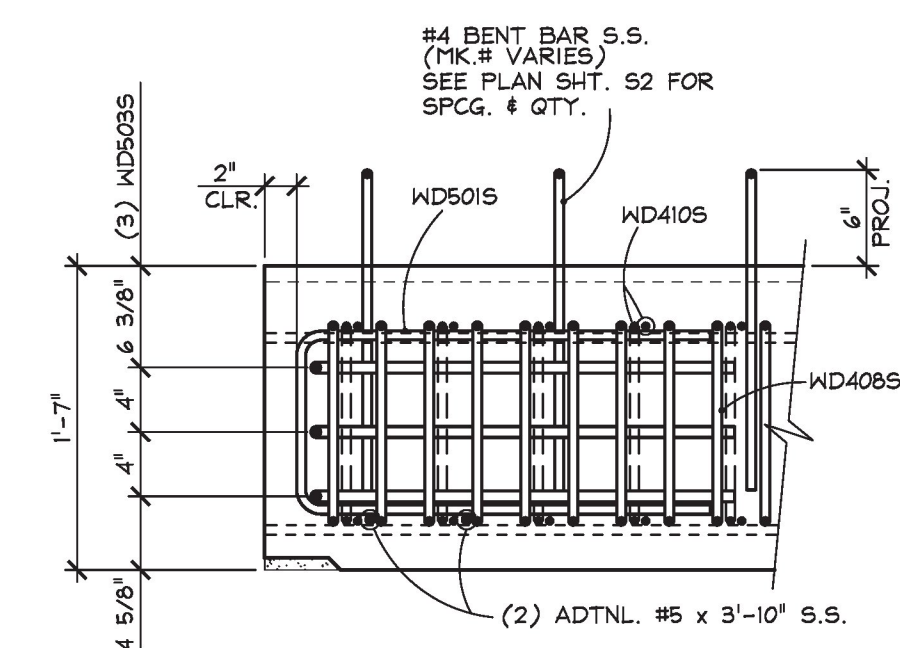
C END REINF. SECTION
S2.1 1" = 1'-0"



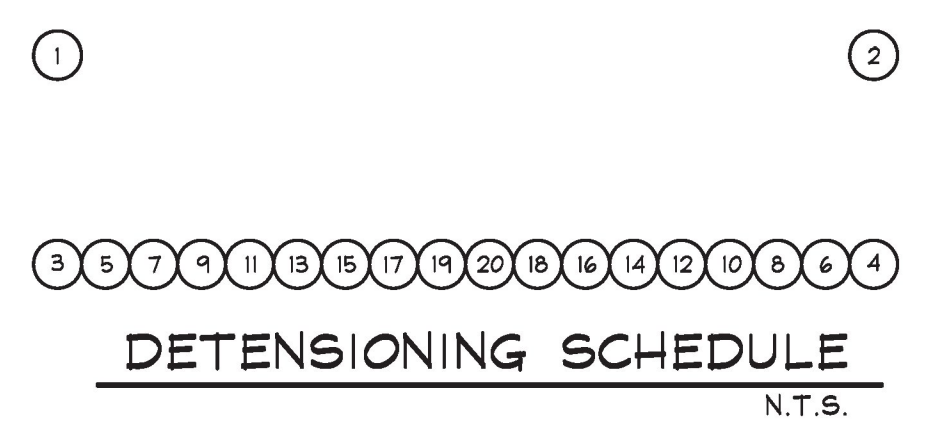
D END REINF. SECTION
S2.1 1" = 1'-0"



E END REINF. SECTION
S2.1 1" = 1'-0"



F END REINF. SECTION
S2.1 1" = 1'-0"



DETENSIONING SCHEDULE
N.T.S.

▲ STRANDS TO BE DETENSIONED 4'-0" EA. END OF SOLID SLAB
 ■ STRANDS TO BE DETENSIONED 6'-0" EA. END OF SOLID SLAB

Vermont Agency of Transportation
RECEIVED
 CK'D BY Stephen Coley OK'D BY Rob Young
 February 13, 2017

RESUBMIT No Approved
 BY Rob Young DATE 02/13/2017

SHOP NOTE:
 f'c = 8,000 PSI
 f'ci = 5,500 PSI
 MIX #430M1 ROCK

MARK: WD-S2 QTY.: 1 WT.: 13.05 T VOL.: 6.44 cy

MATERIAL LIST / P/S SOLID SLAB

| ITEM | MARK | DESCRIPTION | WD-S2 QTY. | ITEM | MARK | DESCRIPTION | WD-S2 QTY. |
|------|--------|-------------------------------|------------|------|--------|-------------------------------|------------|
| 33 | WD4335 | #4 BENT BAR (STAINLESS STEEL) | 1 | 1 | WD4015 | #4 STIRRUP (STAINLESS STEEL) | 31 |
| 34 | WD4345 | #4 BENT BAR (STAINLESS STEEL) | 2 | 2 | WD4025 | #4 BENT BAR (STAINLESS STEEL) | 60 |
| 35 | WD4355 | #4 BENT BAR (STAINLESS STEEL) | 1 | 3 | | | |
| 36 | WD4365 | #4 BENT BAR (STAINLESS STEEL) | 2 | 4 | | | |
| 37 | WD4375 | #4 BENT BAR (STAINLESS STEEL) | 1 | 5 | | | |
| 38 | WD4385 | #4 BENT BAR (STAINLESS STEEL) | 2 | 6 | | | |
| 39 | WD4395 | #4 BENT BAR (STAINLESS STEEL) | 1 | 7 | WD4075 | #4 STIRRUP (STAINLESS STEEL) | 24 |
| 40 | WD4405 | #4 BENT BAR (STAINLESS STEEL) | 2 | 8 | WD4085 | #4 STIRRUP (STAINLESS STEEL) | 24 |
| 41 | WD4415 | #4 BENT BAR (STAINLESS STEEL) | 1 | 9 | WD4095 | #4 BENT BAR (STAINLESS STEEL) | 23 |
| 42 | WD4425 | #4 BENT BAR (STAINLESS STEEL) | 2 | 10 | WD4105 | #4 BENT BAR (STAINLESS STEEL) | 24 |
| 43 | WD4435 | #4 BENT BAR (STAINLESS STEEL) | 1 | 11 | WD4115 | #4 STIRRUP (STAINLESS STEEL) | 1 |
| 44 | WD4445 | #4 BENT BAR (STAINLESS STEEL) | 2 | 12 | WD4125 | #4 STIRRUP (STAINLESS STEEL) | 1 |
| 45 | | | | 13 | WD4135 | #4 STIRRUP (STAINLESS STEEL) | 1 |
| 46 | | | | 14 | WD4145 | #4 STIRRUP (STAINLESS STEEL) | 1 |
| 47 | WD5015 | #5 BENT BAR (STAINLESS STEEL) | 12 | 15 | WD4155 | #4 STIRRUP (STAINLESS STEEL) | 1 |
| 48 | WD5025 | #5 BENT BAR (STAINLESS STEEL) | 3 | 16 | WD4165 | #4 STIRRUP (STAINLESS STEEL) | 1 |
| 49 | WD5035 | #5 BENT BAR (STAINLESS STEEL) | 3 | 17 | WD4175 | #4 STIRRUP (STAINLESS STEEL) | 1 |
| 50 | | | | 18 | WD4185 | #4 STIRRUP (STAINLESS STEEL) | 1 |
| 51 | | #5 x 3'-10" (STAINLESS STEEL) | 4 | 19 | WD4195 | #4 STIRRUP (STAINLESS STEEL) | 1 |
| 52 | | | | 20 | WD4205 | #4 STIRRUP (STAINLESS STEEL) | 1 |
| 53 | | | | 21 | WD4215 | #4 STIRRUP (STAINLESS STEEL) | 1 |
| 54 | | | | 22 | WD4225 | #4 STIRRUP (STAINLESS STEEL) | 1 |
| 55 | | | | 23 | WD4235 | #4 STIRRUP (STAINLESS STEEL) | 1 |
| 56 | | | | 24 | WD4245 | #4 STIRRUP (STAINLESS STEEL) | 1 |
| 57 | | | | 25 | WD4255 | #4 STIRRUP (STAINLESS STEEL) | 1 |
| 58 | | | | 26 | WD4265 | #4 STIRRUP (STAINLESS STEEL) | 1 |
| 59 | | | | 27 | WD4275 | #4 STIRRUP (STAINLESS STEEL) | 1 |
| 60 | | | | 28 | WD4285 | #4 BENT BAR (STAINLESS STEEL) | 2 |
| 61 | | | | 29 | WD4295 | #4 BENT BAR (STAINLESS STEEL) | 1 |
| 62 | | | | 30 | WD4305 | #4 BENT BAR (STAINLESS STEEL) | 2 |
| 63 | | | | 31 | WD4315 | #4 BENT BAR (STAINLESS STEEL) | 1 |
| 64 | | | | 32 | WD4325 | #4 BENT BAR (STAINLESS STEEL) | 2 |

APPROVAL STAMP:

J.P. CARRARA & SONS INC.
 Precast & Prestress Manufacturer
 2454 CASE STR., MIDDLEBURY, VERMONT 05753 Phone: (802)388-6361 Fax: (802)388-9010
 Cold River Bridges CONTRACTOR
 WALPOLE, NEW HAMPSHIRE

STATE OF VERMONT AGENCY OF TRANSPORTATION
 COUNTY OF WINDSOR
 DATE: JAN. 18, 2018
 SCALE: NOTED

WOODSTOCK VILLAGE
 VT. ROUTE 4 (CLASS 1), VILLAGE PRINCIPAL ARTERIAL
 BRIDGE NO.: 51 PROJECT NO.: BF 020-2 (43)
 CHKD: A.S. DFTM: T.D.
 JOB NO: 23522-017

SOLID SLAB REINF. DETAILS
 DWG. NO: S2.1

Production/Record Set
 2.13.18
 J.P. CARRARA & SONS, INC.
 MIDDLEBURY, VT 05753