

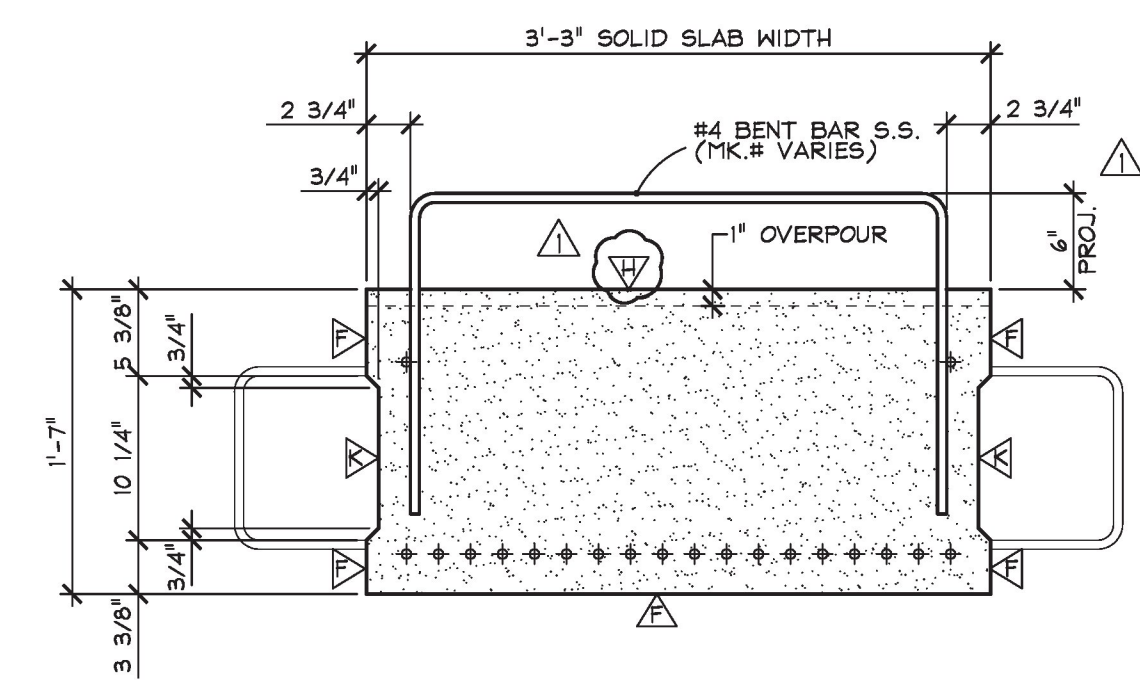
A SOLID SLAB PLAN IN FORM
S2 1/2" = 1'-0"

SHOP NOTE. SEE SHEET S2.1 FOR REINFORCING LAYOUT

SHOP NOTE:
F_c = 8,000 PSI
F_{ci} = 5,500 PSI
MIX #430M1 ROCK

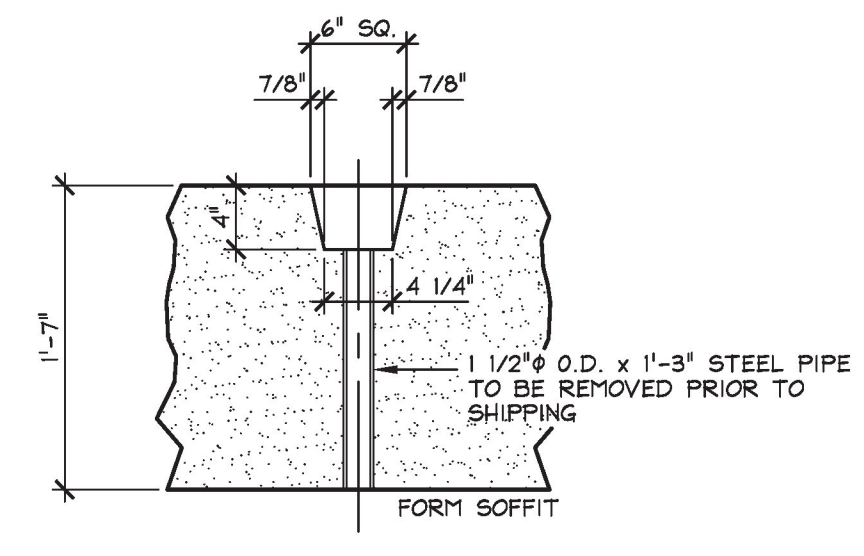
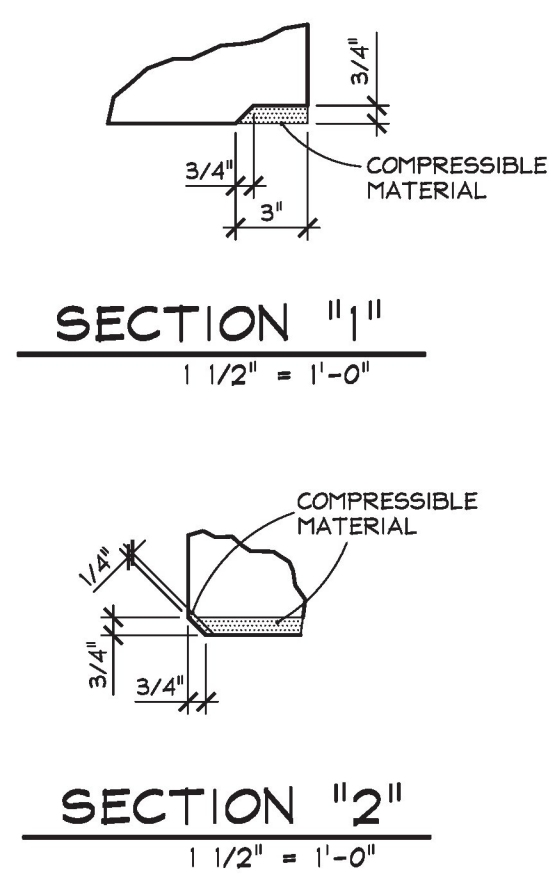
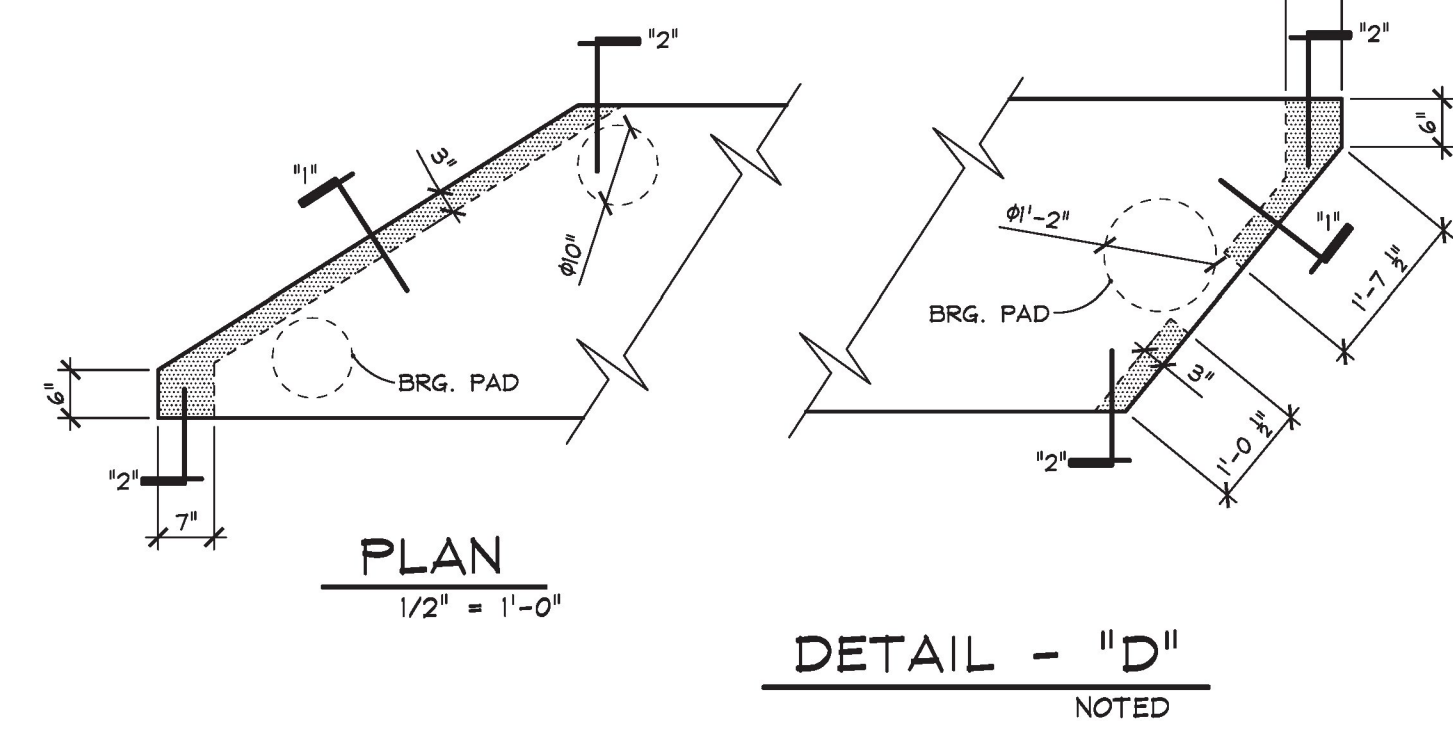
MARK: WD-S2 QTY.: 1 WT.: 13.05 T VOL.: 6.44 cy

MATERIAL LIST / P/S SOLID SLAB			
ITEM	MARK	DESCRIPTION	WD-S2 QTY.
1	WD4035	#4 BENT BAR (STAINLESS STEEL)	27
2	WD4045	#4 BENT BAR (STAINLESS STEEL)	1
3	WD4055	#4 BENT BAR (STAINLESS STEEL)	1
4	WD4065	#4 BENT BAR (STAINLESS STEEL)	1
5	WD4465	#4 BENT BAR (STAINLESS STEEL)	1
6	WD4475	#4 BENT BAR (STAINLESS STEEL)	1
7	WD4485	#4 BENT BAR (STAINLESS STEEL)	1
8	WD4495	#4 BENT BAR (STAINLESS STEEL)	1
9	WD4505	#4 BENT BAR (STAINLESS STEEL)	1
10	WD4515	#4 BENT BAR (STAINLESS STEEL)	1
11			
12			
13			
14		#5 x 2'-11" (STAINLESS STEEL)	4
15			
16			
17			
18			
19			
20			
21			
22			
23			
24			
25			
26			
27			
28			
29		1 1/2" O.D. x 1'-3" STEEL PIPE	2
30		(2) 1/2" 270 KSI STRAND LIFT LOOPS	4
31		(3/4)" F-64 INSERTS (GALV.)	2
32			

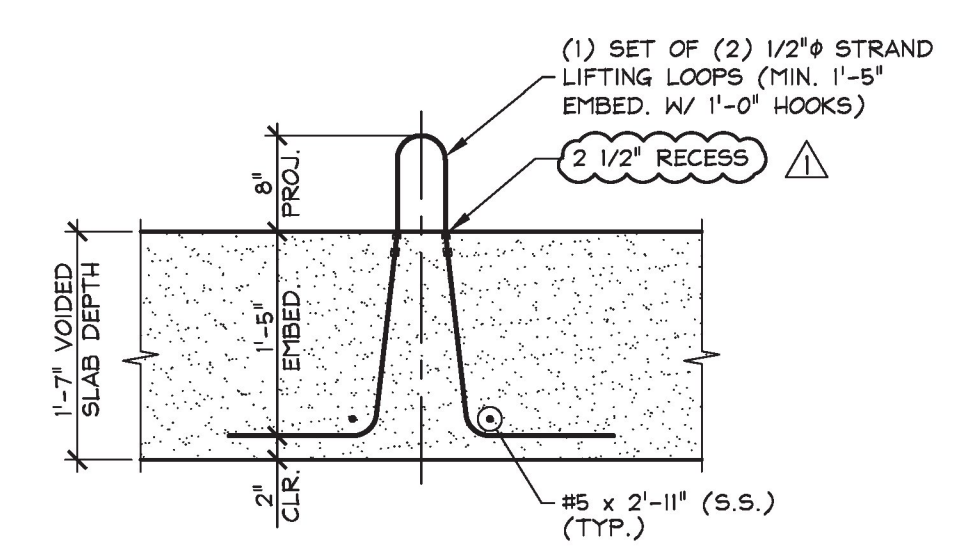


B DIMENSIONAL SECTION
S2 1" = 1'-0"

- △ - ROUGHENED SURFACE (1/4" - 1/2" DEPTH)
- △ - FORM FINISH
- △ - ROUGHENED FINISH (1/8" AMPLITUDE)



DETAIL - "C"
1" = 1'-0"



LIFT LOOP DETAIL
3/4" = 1'-0"



DUNNAGE LOCATION DETAIL
N.T.S.

Vermont Agency of Transportation
RECEIVED

CK'D BY Stephen Coley OK'D BY Rob Young

February 13, 2017

RESUBMIT No Approved
BY Rob Young DATE 02/13/2017

Production/Record Set
2.13.18
J.P. CARRARA & SONS, INC.
MIDDLEBURY, VT 05753

2/12/18 REVISED AS PER ENGINEERS COMM. T.D.

APPROVAL STAMP:	J.P. CARRARA & SONS INC. Precast & Prestress Manufacturer 2464 CASE ST., MIDDLEBURY, VERMONT 05753 Phone: (802) 388-6361 Fax: (802) 388-9010	Cold River Bridges CONTRACTOR WALPOLE, NEW HAMPSHIRE
	STATE OF VERMONT AGENCY OF TRANSPORTATION COUNTY OF WINDSOR	DATE: JAN. 18, 2018 SCALE: NOTED
	WOODSTOCK VILLAGE VT. ROUTE 4 (CLASS 1), VILLAGE PRINCIPAL ARTERIAL BRIDGE NO.: 51 PROJECT NO.: BF 020-2 (43)	CHKD: A.S. DFTM: T.D. JOB NO: 23522-017
	SOLID SLAB DETAILS	DWG. NO: S2