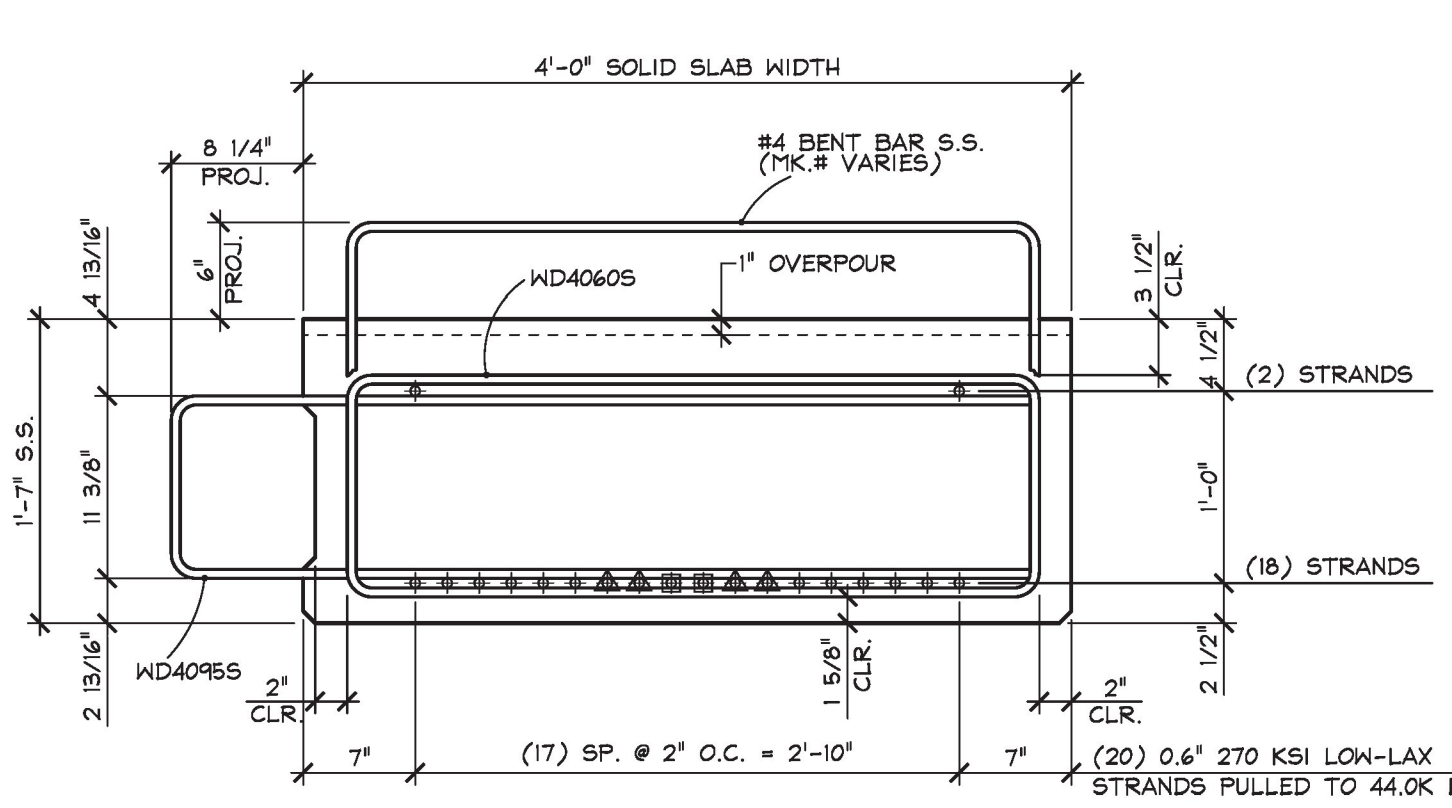
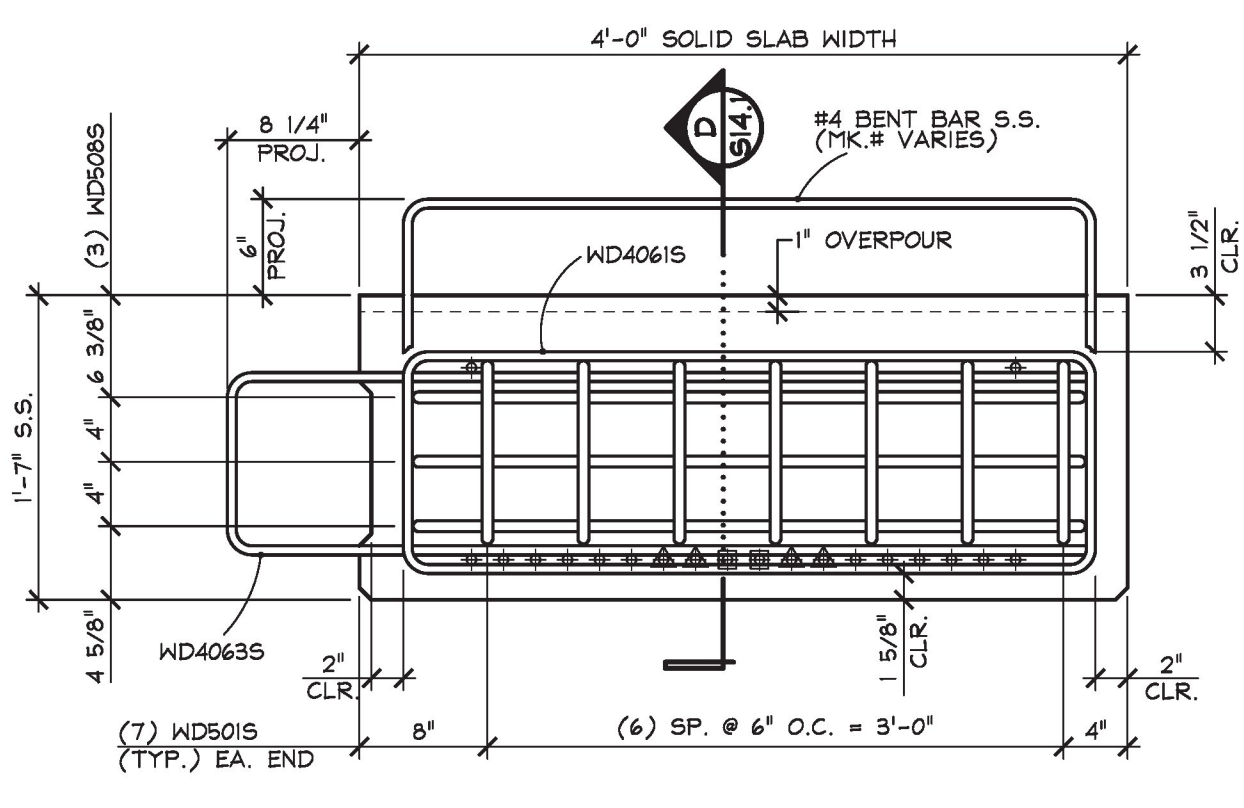


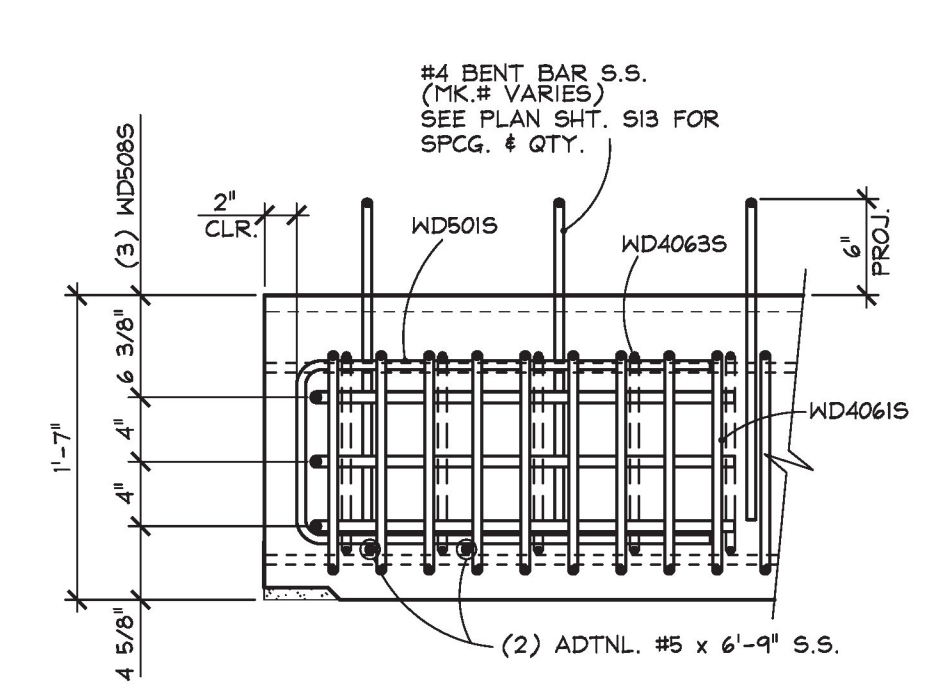
A SOLID SLAB REINFORCING PLAN IN FORM
 1/2" = 1'-0"



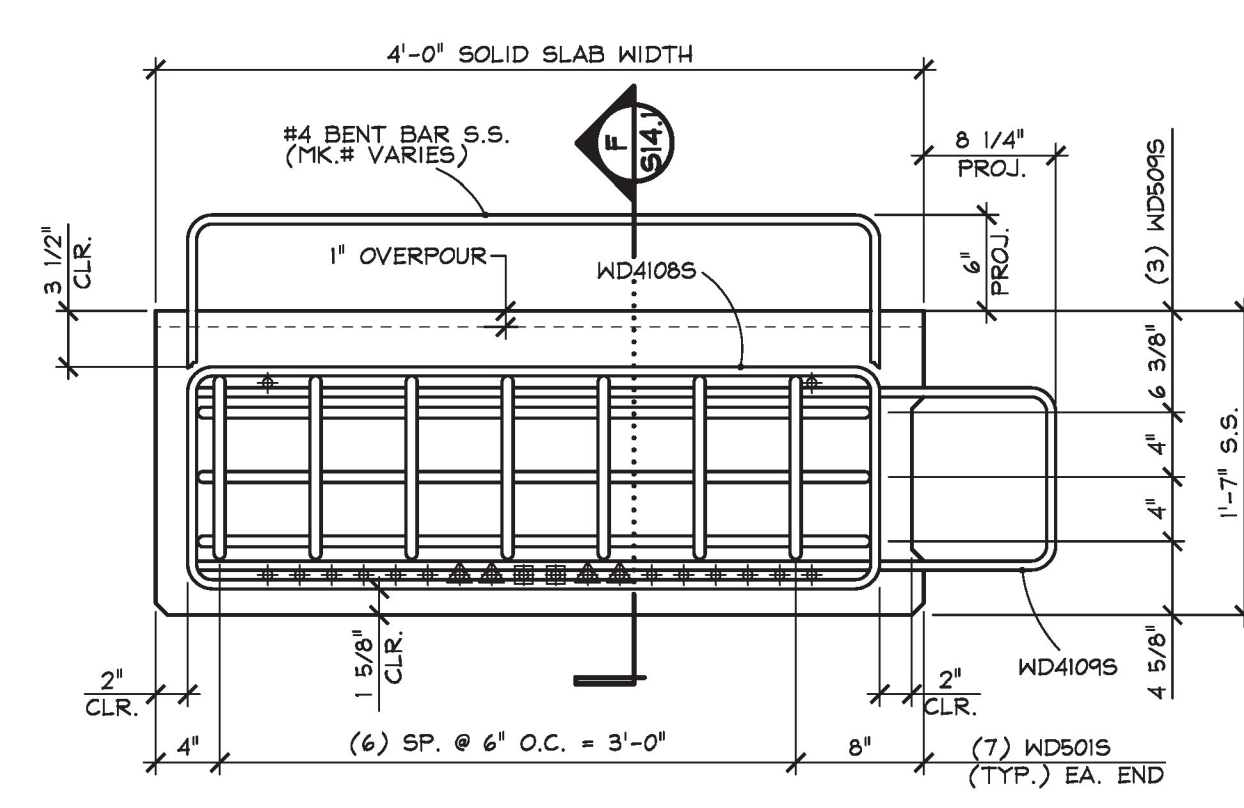
B REINFORCING SECTION
 1" = 1'-0"



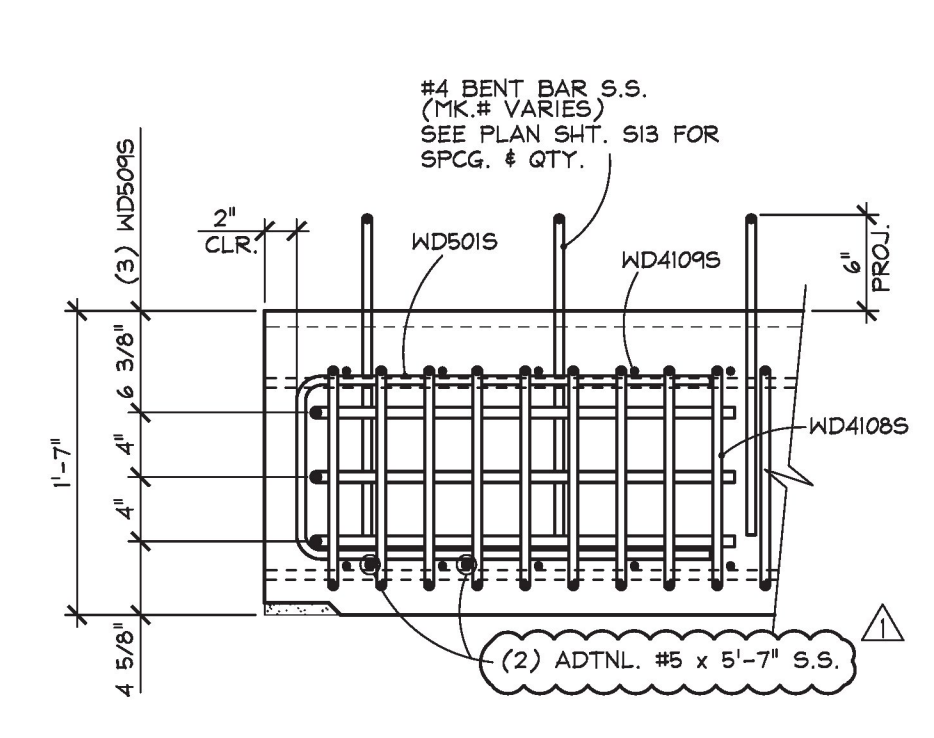
C END REINFORCING SECTION
 1" = 1'-0"



D END REINFORCING SECTION
 1" = 1'-0"



E END REINFORCING SECTION
 1" = 1'-0"



F END REINFORCING SECTION
 1" = 1'-0"

① ②

3	5	7	9	11	13	15	17	19	20	18	16	14	12	10	8	6	4
---	---	---	---	----	----	----	----	----	----	----	----	----	----	----	---	---	---

DETENSIONING SCHEDULE
 N.T.S.

▲ STRANDS TO BE DETENSIONED 4'-0" EA. END OF SOLID SLAB
 ■ STRANDS TO BE DETENSIONED 6'-0" EA. END OF SOLID SLAB

ITEM	MARK	DESCRIPTION	WD-S14 QTY.
33	WD40855	#4 STIRRUP (STAINLESS STEEL)	1
34	WD40865	#4 STIRRUP (STAINLESS STEEL)	1
35	WD40875	#4 STIRRUP (STAINLESS STEEL)	1
36	WD40885	#4 STIRRUP (STAINLESS STEEL)	1
37	WD40895	#4 STIRRUP (STAINLESS STEEL)	1
38	WD40905	#4 STIRRUP (STAINLESS STEEL)	1
39	WD40915	#4 STIRRUP (STAINLESS STEEL)	1
40	WD40925	#4 STIRRUP (STAINLESS STEEL)	1
41	WD40935	#4 STIRRUP (STAINLESS STEEL)	1
42	WD40945	#4 STIRRUP (STAINLESS STEEL)	1
43	WD40965	#4 BENT BAR (STAINLESS STEEL)	1
44	WD40975	#4 BENT BAR (STAINLESS STEEL)	1
45	WD40985	#4 BENT BAR (STAINLESS STEEL)	1
46	WD40995	#4 BENT BAR (STAINLESS STEEL)	1
47	WD41005	#4 BENT BAR (STAINLESS STEEL)	1
48	WD41015	#4 BENT BAR (STAINLESS STEEL)	1
49	WD41025	#4 BENT BAR (STAINLESS STEEL)	1
50	WD41035	#4 BENT BAR (STAINLESS STEEL)	1
51	WD41045	#4 BENT BAR (STAINLESS STEEL)	1
52	WD41055	#4 BENT BAR (STAINLESS STEEL)	1
53	WD41065	#4 BENT BAR (STAINLESS STEEL)	1
54	WD41075	#4 BENT BAR (STAINLESS STEEL)	1
55			
56			
57	WD41105	#4 STIRRUP (STAINLESS STEEL)	1
58	WD41115	#4 STIRRUP (STAINLESS STEEL)	1
59	WD41125	#4 STIRRUP (STAINLESS STEEL)	1
60	WD41135	#4 STIRRUP (STAINLESS STEEL)	1
61	WD41145	#4 STIRRUP (STAINLESS STEEL)	1
62	WD41155	#4 STIRRUP (STAINLESS STEEL)	1
63	WD41165	#4 STIRRUP (STAINLESS STEEL)	1
64	WD41175	#4 STIRRUP (STAINLESS STEEL)	1
65	WD41185	#4 STIRRUP (STAINLESS STEEL)	1
66	WD41195	#4 STIRRUP (STAINLESS STEEL)	1
67	WD41205	#4 STIRRUP (STAINLESS STEEL)	1
68	WD41215	#4 STIRRUP (STAINLESS STEEL)	1
69			
70	WD5015	#5 BENT BAR (STAINLESS STEEL)	14
71	WD5085	#5 BENT BAR (STAINLESS STEEL)	3
72	WD5095	#5 BENT BAR (STAINLESS STEEL)	3
73	▲ #5 x 5'-7" (STAINLESS STEEL)	▲	2
674	▲ #5 x 6'-9" (STAINLESS STEEL)	▲	2

MARK: **WD-S14** QTY.: 1 WT.: **23.08** T VOL.: **11.40** cy

MATERIAL LIST / P/S SOLID SLAB

ITEM	MARK	DESCRIPTION	WD-S14 QTY.
1	WD40605	#4 STIRRUP (STAINLESS STEEL)	48
2	WD40955	#4 BENT BAR (STAINLESS STEEL)	47
3			
4			
5			
6	WD40615	#4 STIRRUP (STAINLESS STEEL)	25
7	WD40625	#4 STIRRUP (STAINLESS STEEL)	1
8	WD40635	#4 BENT BAR (STAINLESS STEEL)	12
9	WD41085	#4 STIRRUP (STAINLESS STEEL)	25
10	WD41095	#4 BENT BAR (STAINLESS STEEL)	13
11	WD40635	#4 BENT BAR (STAINLESS STEEL)	12
12	WD40645	#4 BENT BAR (STAINLESS STEEL)	1
13	WD40655	#4 BENT BAR (STAINLESS STEEL)	1
14	WD40665	#4 BENT BAR (STAINLESS STEEL)	1
15	WD40675	#4 BENT BAR (STAINLESS STEEL)	1
16	WD40685	#4 BENT BAR (STAINLESS STEEL)	1
17	WD40695	#4 BENT BAR (STAINLESS STEEL)	1
18	WD40705	#4 BENT BAR (STAINLESS STEEL)	1
19	WD40715	#4 BENT BAR (STAINLESS STEEL)	1
20	WD40725	#4 BENT BAR (STAINLESS STEEL)	1
21	WD40735	#4 BENT BAR (STAINLESS STEEL)	1
22	WD40745	#4 STIRRUP (STAINLESS STEEL)	1
23	WD40755	#4 STIRRUP (STAINLESS STEEL)	1
24	WD40765	#4 STIRRUP (STAINLESS STEEL)	1
25	WD40775	#4 STIRRUP (STAINLESS STEEL)	1
26	WD40785	#4 STIRRUP (STAINLESS STEEL)	1
27	WD40795	#4 STIRRUP (STAINLESS STEEL)	1
28	WD40805	#4 STIRRUP (STAINLESS STEEL)	1
29	WD40815	#4 STIRRUP (STAINLESS STEEL)	1
30	WD40825	#4 STIRRUP (STAINLESS STEEL)	1
31	WD40835	#4 STIRRUP (STAINLESS STEEL)	1
32	WD40845	#4 STIRRUP (STAINLESS STEEL)	1

APPROVAL STAMP:

J.P. CARRARA & SONS INC.
 Precast & Prestress Manufacturer
 2454 CASE STR., MIDDLEBURY, VERMONT 05753 Phone: (802)388-6361 Fax: (802)388-9010
 Cold River Bridges CONTRACTOR
 WALPOLE, NEW HAMPSHIRE

STATE OF VERMONT AGENCY OF TRANSPORTATION
 COUNTY OF WINDSOR
 DATE: JAN. 18, 2018
 SCALE: NOTED

WOODSTOCK VILLAGE
 VT. ROUTE 4 (CLASS 1), VILLAGE PRINCIPAL ARTERIAL
 BRIDGE NO.: 51 PROJECT NO.: BF 020-2 (43)
 CHKD: A.S. DFTM: T.D.
 JOB NO: 23522-017

SOLID SLAB REINFORCING DETAILS
 DWG. NO: **S14.1**

Vermont Agency of Transportation
RECEIVED

CK'D BY Stephen Coley OK'D BY Rob Young
 February 13, 2017

RESUBMIT No Approved
 BY Rob Young DATE 02/13/2017

SHOP NOTE:
 f'c = 8,000 PSI
 f'ci = 5,500 PSI
 MIX #430M1 ROCK