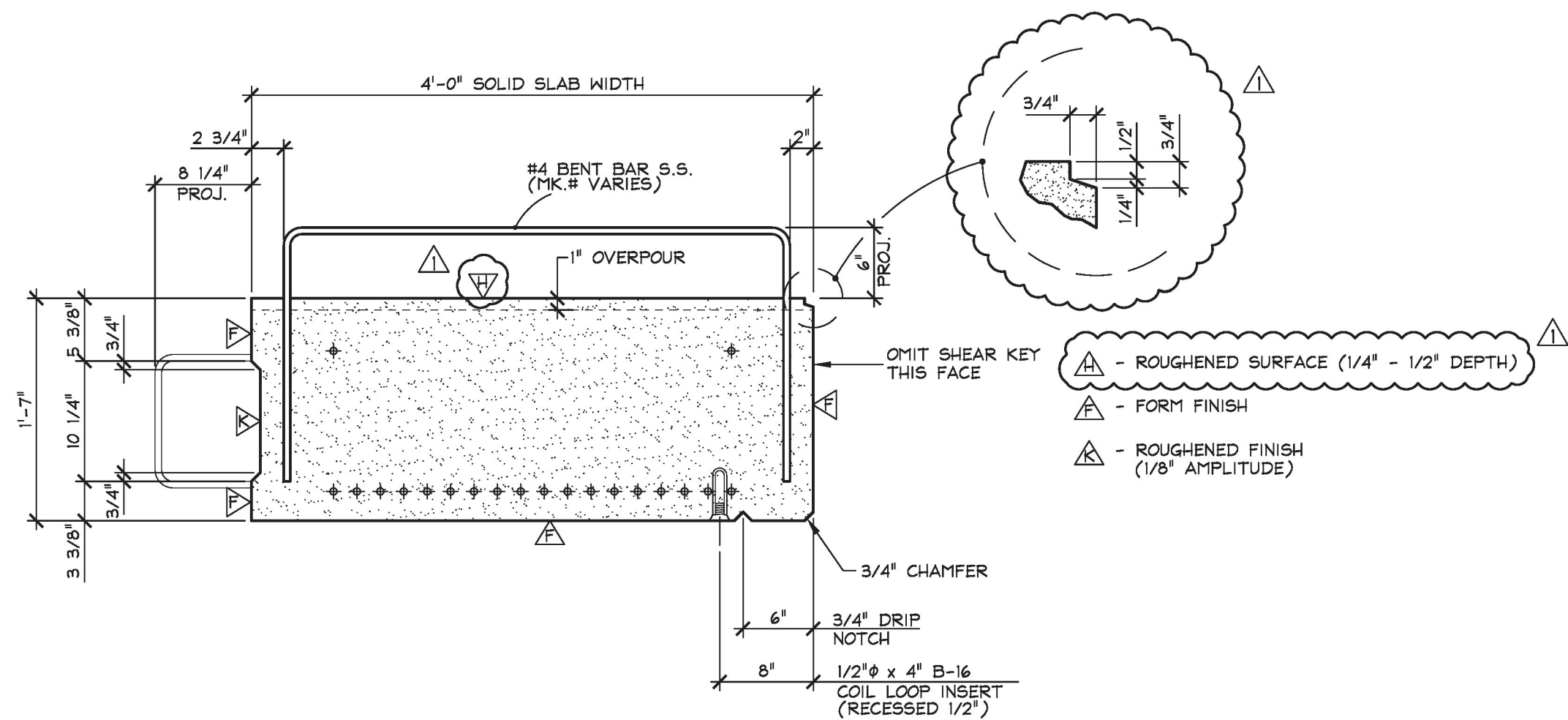


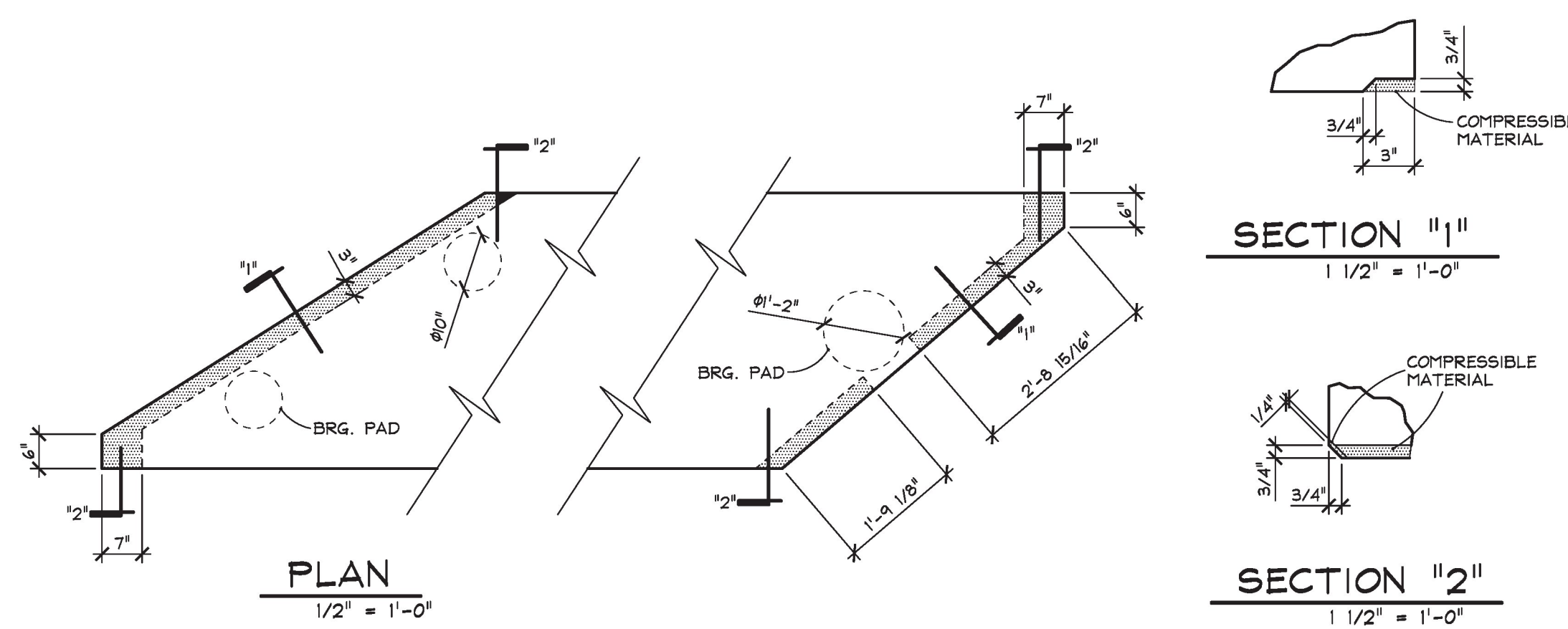
A SOLID SLAB PLAN IN FORM
S14 1/2" = 1'-0"

SHOP NOTE:
f_c = 8,000 PSI
f_{ci} = 5,500 PSI
MIX #430M1 ROCK

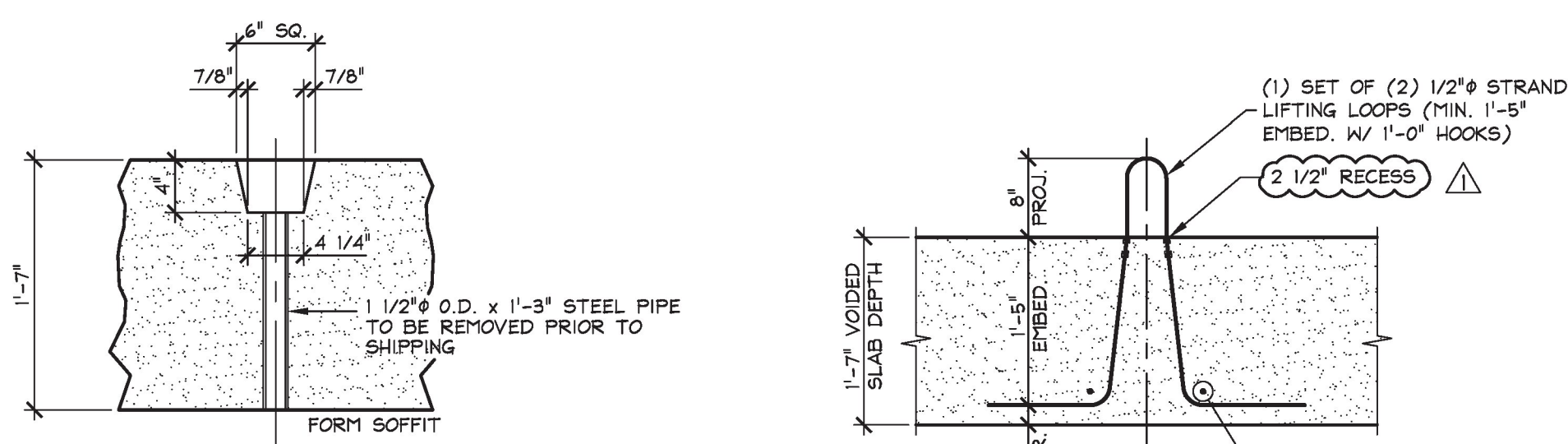
SHOP NOTE. SEE SHEET S14.1 FOR REINFORCING LAYOUT



B DIMENSIONAL SECTION
S14 1" = 1'-0"



DETAIL - "D"
NOTED



DETAIL - "C" 1" = 1'-0"
LIFT LOOP DETAIL 3/4" = 1'-0"



DUNNAGE LOCATION DETAIL
N.T.S.

Vermont Agency of Transportation
RECEIVED
CK'D BY Stephen Coley OK'D BY Rob Young
February 13, 2017
RESUBMIT No Approved
BY Rob Young DATE 02/13/2017

MARK: WD-S14 QTY.: 1 WT.: 23.08 T VOL.: 11.40 cy			
MATERIAL LIST / P/S SOLID SLAB			
ITEM	MARK	DESCRIPTION	WD-S14 QTY.
1	WD41225	#4 BENT BAR (STAINLESS STEEL)	34
2	WD41235	#4 BENT BAR (STAINLESS STEEL)	1
3	WD41245	#4 BENT BAR (STAINLESS STEEL)	1
4	WD41255	#4 BENT BAR (STAINLESS STEEL)	1
5	WD41265	#4 BENT BAR (STAINLESS STEEL)	1
6	WD41275	#4 BENT BAR (STAINLESS STEEL)	1
7	WD41285	#4 BENT BAR (STAINLESS STEEL)	1
8	WD41295	#4 BENT BAR (STAINLESS STEEL)	1
9	WD41305	#4 BENT BAR (STAINLESS STEEL)	1
10	WD41315	#4 BENT BAR (STAINLESS STEEL)	1
11	WD41325	#4 BENT BAR (STAINLESS STEEL)	1
12	WD41335	#4 BENT BAR (STAINLESS STEEL)	1
13	WD41345	#4 BENT BAR (STAINLESS STEEL)	1
14	WD41355	#4 BENT BAR (STAINLESS STEEL)	1
15	WD41365	#4 BENT BAR (STAINLESS STEEL)	1
16	WD41375	#4 BENT BAR (STAINLESS STEEL)	1
17	WD41385	#4 BENT BAR (STAINLESS STEEL)	1
18	WD41395	#4 BENT BAR (STAINLESS STEEL)	1
19	WD41405	#4 BENT BAR (STAINLESS STEEL)	1
20	WD41415	#4 BENT BAR (STAINLESS STEEL)	1
21	WD41425	#4 BENT BAR (STAINLESS STEEL)	1
22			
23		#5 x 3'-8" (STAINLESS STEEL)	4
24			
25			
26			
27			
28		1/2"φ x 4" B-16 COIL LOOP INSERT (GALV.)	15
29		1 1/2"φ O.D. x 1'-3" STEEL PIPE	2
30		(2) 1/2"φ 270 KSI STRAND LIFT LOOPS	4
31			
32			

APPROVAL STAMP:	J.P. CARRARA & SONS INC. Precast & Prestress Manufacturer 2464 CASE ST., MIDDLEBURY, VERMONT 05753 Phone:(802)388-6361 Fax:(802)388-9010	Cold River Bridges CONTRACTOR WALPOLE, NEW HAMPSHIRE
	STATE OF VERMONT AGENCY OF TRANSPORTATION COUNTY OF WINDSOR	
	WOODSTOCK VILLAGE VT. ROUTE 4 (CLASS 1), VILLAGE PRINCIPAL ARTERIAL BRIDGE NO.: 51 PROJECT NO.: BF 020-2 (43)	
	SOLID SLAB DETAILS	
	DATE: JAN. 18, 2018	
	SCALE: NOTED	
	CHKD: A.S. DFTM: T.D.	
	JOB NO: 23522-017	
	DWG. NO: S14	

Production/Record Set
2.13.18
J.P. CARRARA & SONS, INC.
MIDDLEBURY, VT 05753

2/12/18 REVISED AS PER ENGINEERS COMM. T.D.