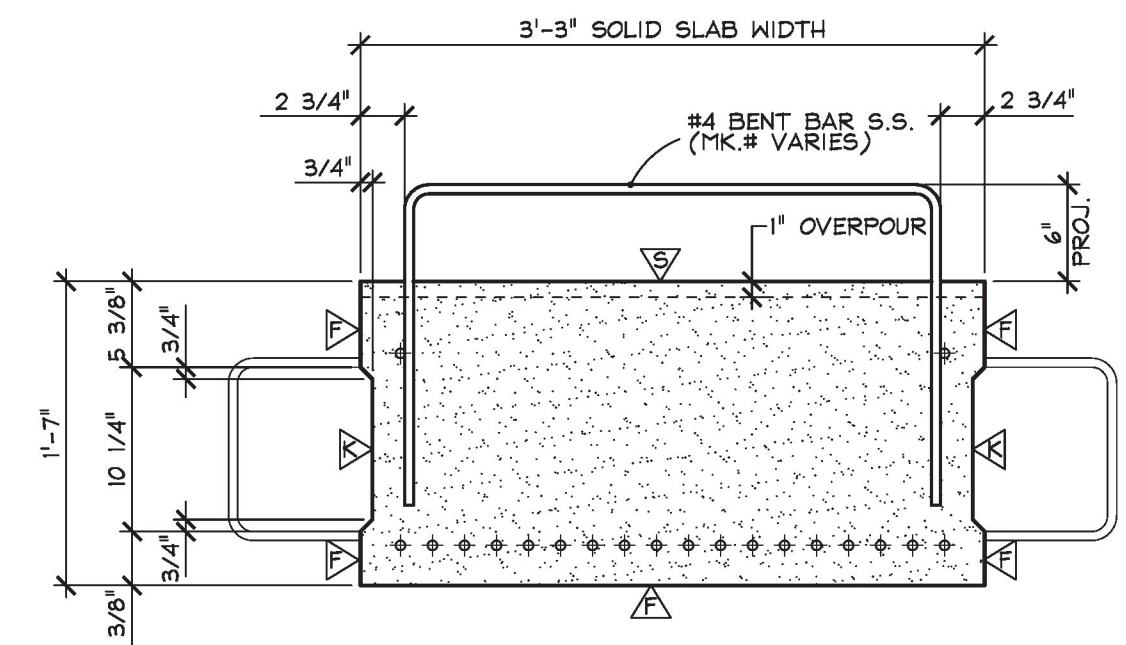


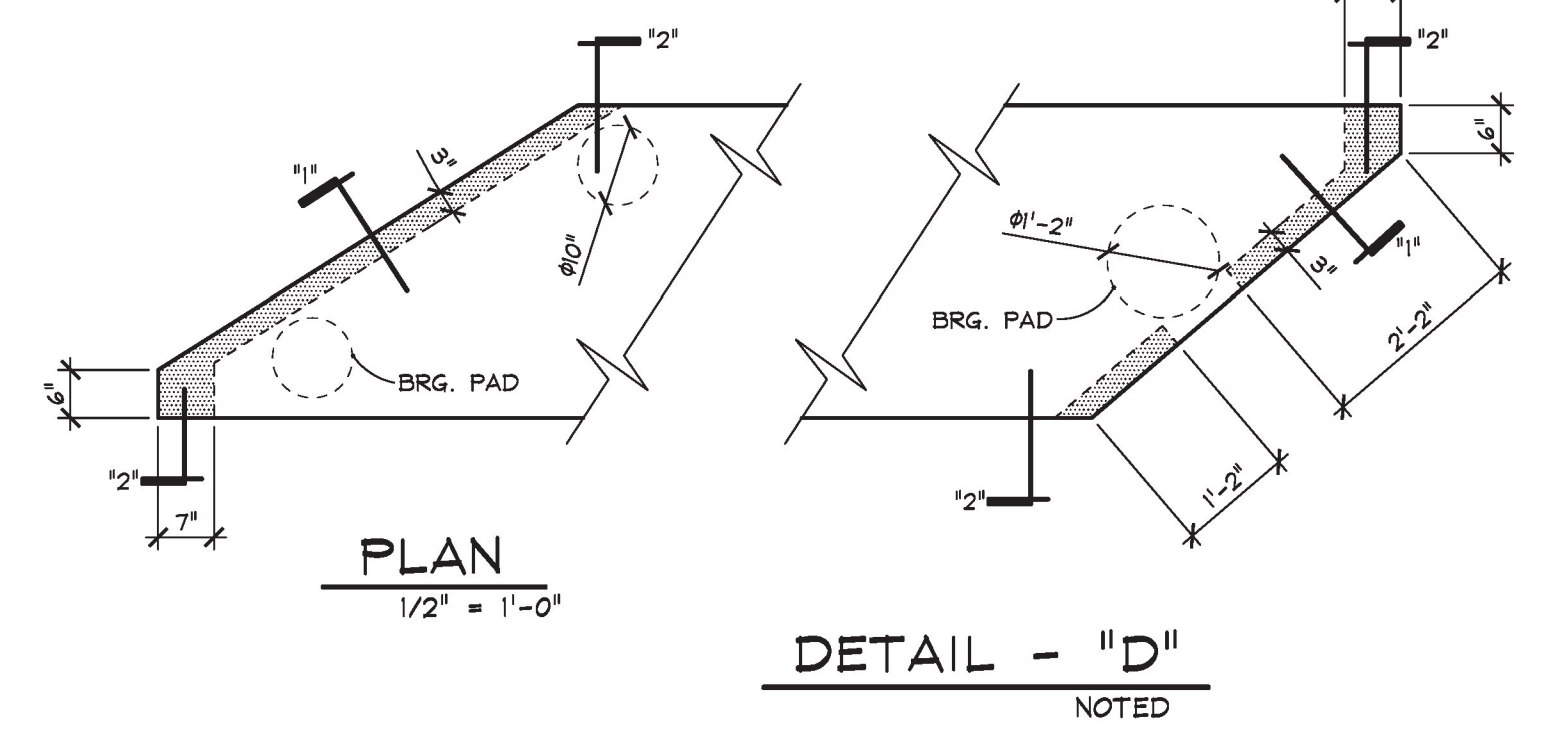
A SOLID SLAB PLAN IN FORM
S13 1/2" = 1'-0"

SHOP NOTE. SEE SHEET S13.1 FOR REINFORCING LAYOUT

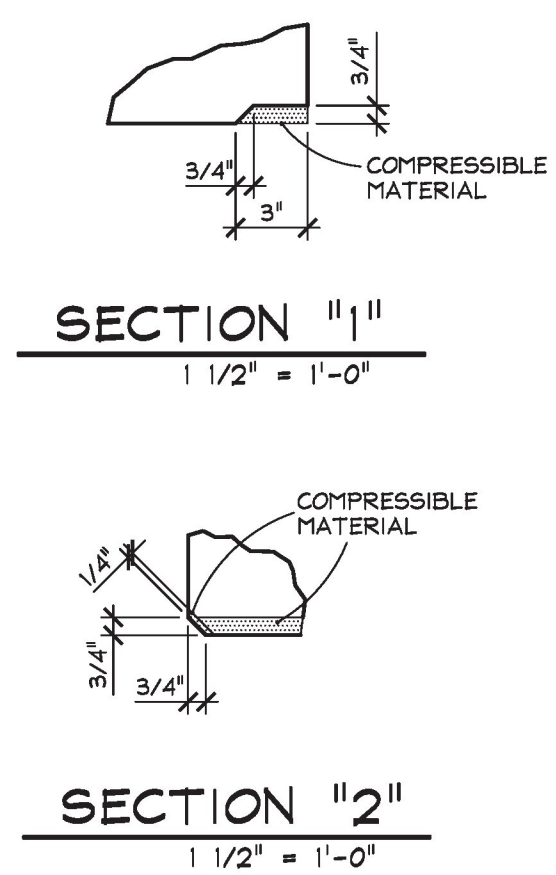
SHOP NOTE:
f'c = 8,000 PSI
f'ci = 5,500 PSI
MIX #430M1 ROCK



B DIMENSIONAL SECTION
S13 1" = 1'-0"

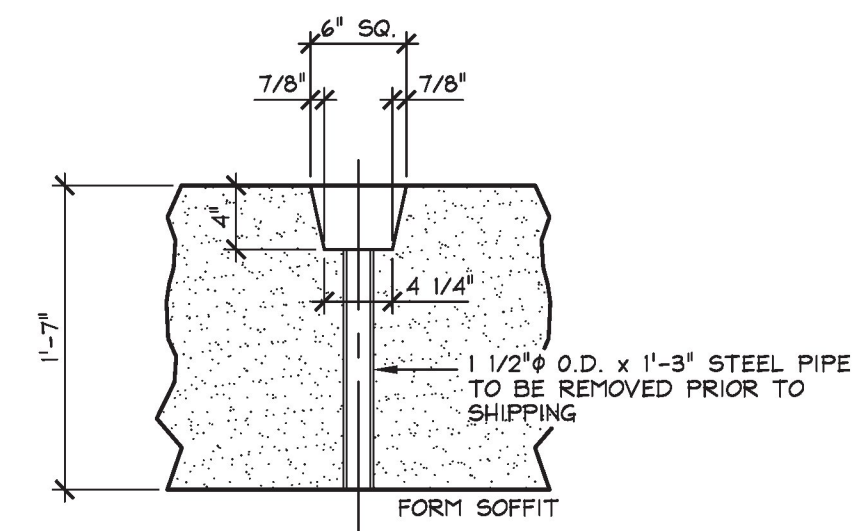


DETAIL - "D"
NOTED

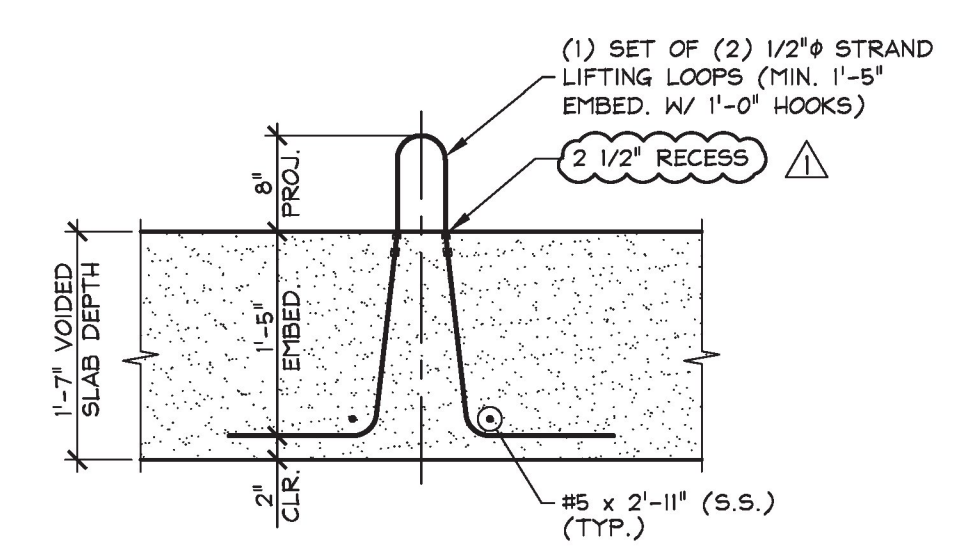


SECTION "1"
1 1/2" = 1'-0"
SECTION "2"
1 1/2" = 1'-0"

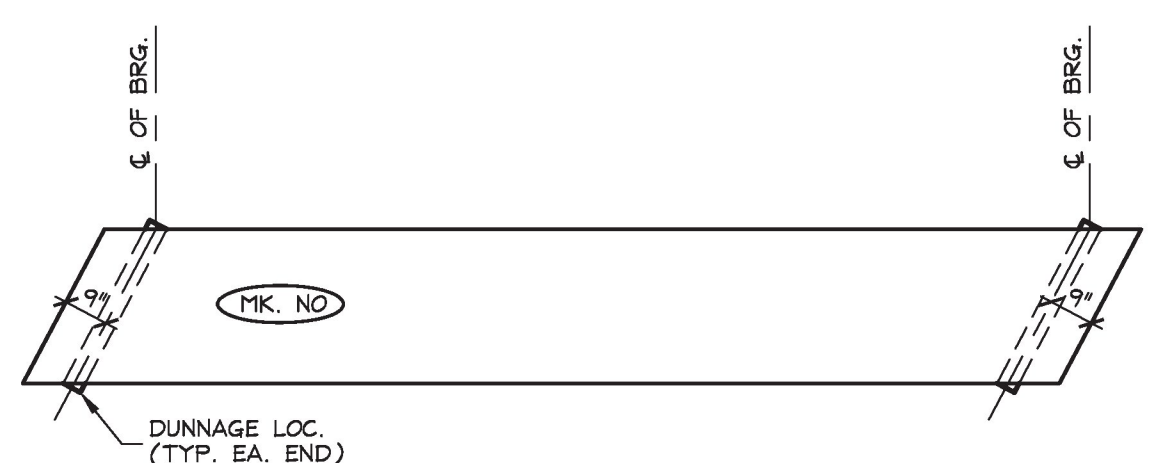
MATERIAL LIST / P/S SOLID SLAB			
ITEM	MARK	DESCRIPTION	WD-S13 QTY.
1	WD4043S	#4 BENT BAR (STAINLESS STEEL)	35
2	WD4044S	#4 BENT BAR (STAINLESS STEEL)	1
3	WD4045S	#4 BENT BAR (STAINLESS STEEL)	1
4	WD4046S	#4 BENT BAR (STAINLESS STEEL)	1
5	WD4047S	#4 BENT BAR (STAINLESS STEEL)	1
6	WD4048S	#4 BENT BAR (STAINLESS STEEL)	1
7	WD4049S	#4 BENT BAR (STAINLESS STEEL)	1
8	WD4050S	#4 BENT BAR (STAINLESS STEEL)	1
9	WD4051S	#4 BENT BAR (STAINLESS STEEL)	1
10	WD4052S	#4 BENT BAR (STAINLESS STEEL)	1
11	WD4053S	#4 BENT BAR (STAINLESS STEEL)	1
12	WD4054S	#4 BENT BAR (STAINLESS STEEL)	1
13	WD4055S	#4 BENT BAR (STAINLESS STEEL)	1
14	WD4056S	#4 BENT BAR (STAINLESS STEEL)	1
15	WD4057S	#4 BENT BAR (STAINLESS STEEL)	1
16	WD4058S	#4 BENT BAR (STAINLESS STEEL)	1
17	WD4059S	#4 BENT BAR (STAINLESS STEEL)	1
18			
19		#5 x 2'-11" (STAINLESS STEEL)	4
20			
21			
22			
23			
24			
25			
26			
27			
28			
29		1 1/2" O.D. x 1'-3" STEEL SLEEVE	2
30		(2) 1/2" # 270 KSI STRAND LIFT LOOPS	4
31			
32			



DETAIL - "C"
1" = 1'-0"



LIFT LOOP DETAIL
3/4" = 1'-0"



DUNNAGE LOCATION DETAIL
N.T.S.

Vermont Agency of Transportation
RECEIVED
CK'D BY Stephen Coley OK'D BY Rob Young
February 13, 2017
RESUBMIT No Approved
BY Rob Young DATE 02/13/2017

APPROVAL STAMP:

J.P. CARRARA & SONS INC.
Precast & Prestress Manufacturer
2464 CASE ST., MIDDLEBURY, VERMONT 05753 Phone:(802)388-6361 Fax:(802)388-9010

Cold River Bridges CONTRACTOR
WALPOLE, NEW HAMPSHIRE

STATE OF VERMONT AGENCY OF TRANSPORTATION
COUNTY OF WINDSOR

DATE: JAN. 18, 2018
SCALE: NOTED
CHKD: A.S. DFTM: T.D.
JOB NO: 23522-017

WOODSTOCK VILLAGE
VT. ROUTE 4 (CLASS 1), VILLAGE PRINCIPAL ARTERIAL
BRIDGE NO.: 51 PROJECT NO.: BF 020-2 (43)

SOLID SLAB DETAILS
DWG. NO: S13

Production/Record Set
2.13.18
J.P. CARRARA & SONS, INC.
MIDDLEBURY, VT 05753